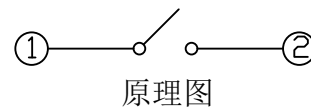
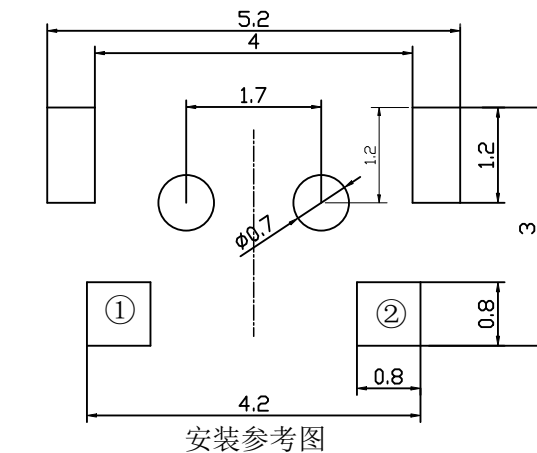
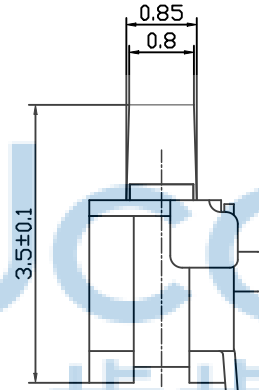
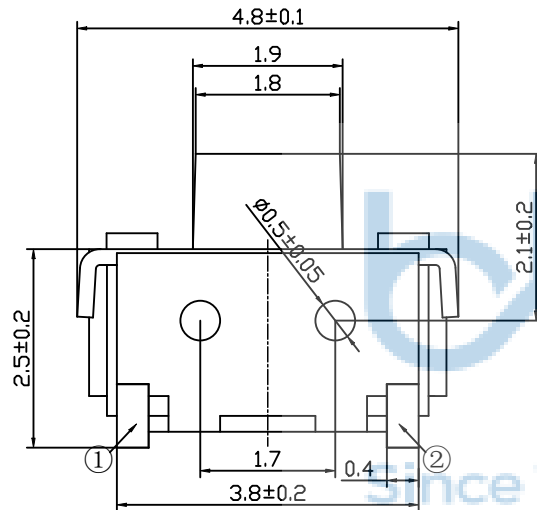
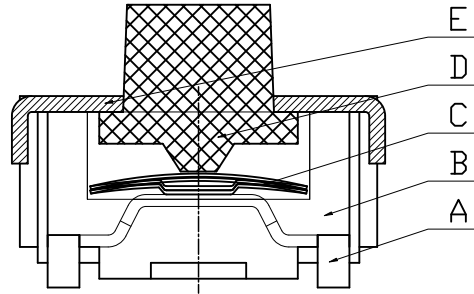
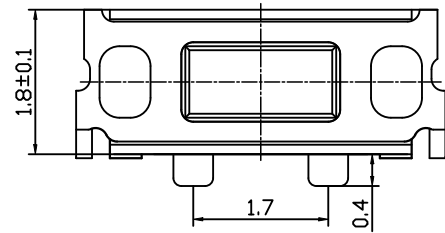


REV.	ECN NO	CONTENT	DATE	ENGINEER
A0				

技术要求:

1. 零部件表面光洁无划伤, 水花, 变形, 影响外观及性能等缺陷。
2. 额定电流: 50mA. 12V DC, 绝缘电阻100MΩ min, 100V DC, 介电强度250V AC for 1min, 接触电阻200mΩ max。
3. 开关手感明显, 档位清晰可靠, 无卡滞现象, 消除外力后, 应能快速回位。按力: 160/260±30GF。
4. 耐久: 50000次



序号	名称	材料	数量	备注
E	盖板	磷铜0.2	1	镀银0.2μ
D	按钮	LCP黑	1	
C	簧片	进口不锈钢SUS301	2	外购
B	底座	LCP(白)	1	
A	卡件	磷铜0.15	1	镀银0.15μ

THIS DOCUMENT IS THE SOLE PROPERTY OF BBJconn Technology Co.,Ltd. Corporation AND SHOULD NOT BE USED IN WHOLE OR IN PART WITHOUT PRIOR WRITTEN PERMISSION. PDWG:NO: 0278-1

深圳市步步精科技有限公司

NAME: 轻触开关 2x4x3.5 侧按 0.5柱 进口不锈钢弹片 160GF (寿命5W次)

APPD. JM_Zheng

CHKD. TSP

DR. LYX

PJ. NO.: TS.05.58-42-58-01

SIZE: A4 DRW NO.:

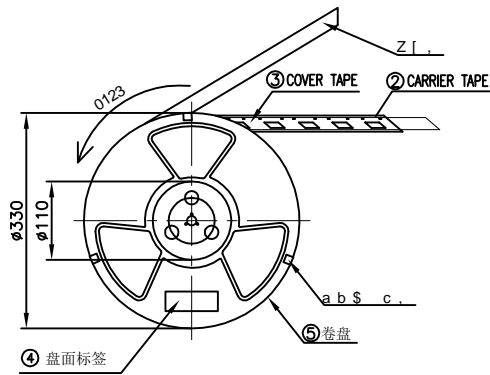
FINISH: SEE NOTES MAT'L.: SEE NOTES

SCALE: N/A REV.: A0 UNIT: mm PAGE: 1/1

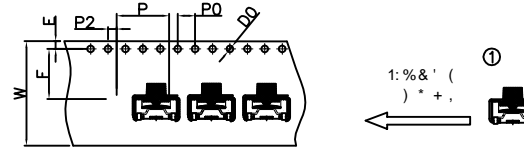
REV.	ECN NO	CONTENT	DATE	ENGINEER
A0				

NOTE:

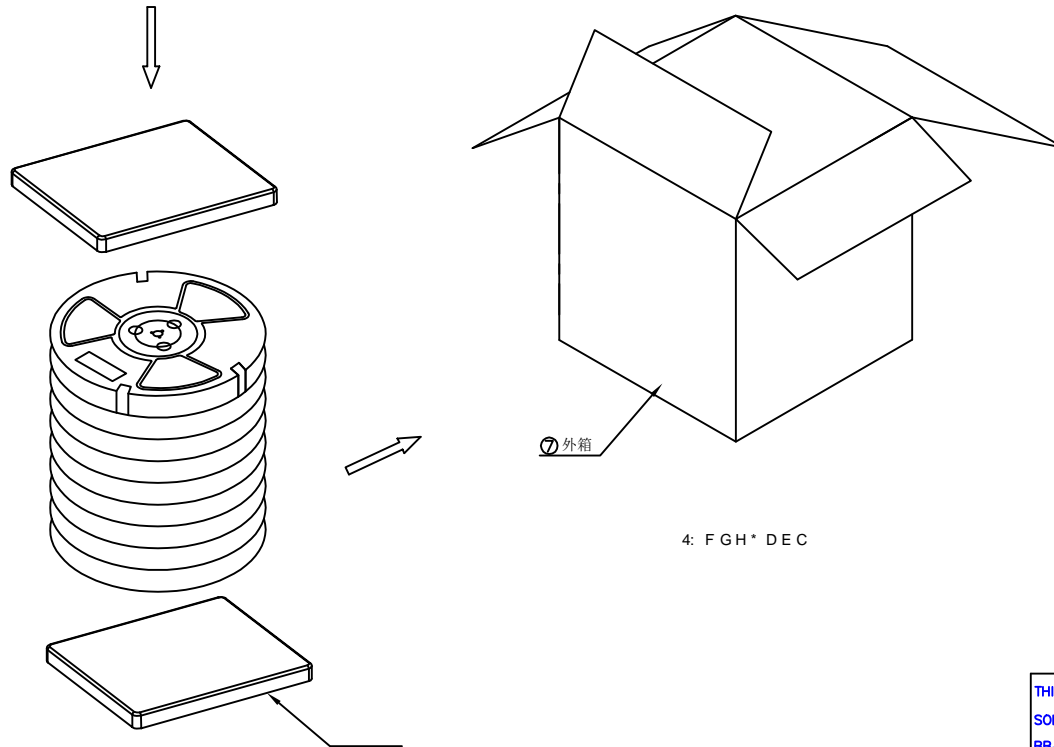
- 1. QUANTITY/REEL: 3000 PCS
数量/卷: 3000 PCS
- QUANTITY/INNER CARTON: 3000 X 14 = 42000 PCS max
数量/箱: 3000 X 14 = 42000 PCS max
- 2. 产品绕入卷盘后, D Y Z [,



2: - . / 0 1
+ , * REEL



1: % & ' () * + ,



3: 10盘REEL整齐的重叠在一起, 上下各放一个天地板。

7: 外箱

4: FGH* DEC

ITRM	W	P	F	E	DO	PO	P2
DIM	24.00	12.00	11.50	1.75	1.50	4.00	2.00
TOLE	+0.30 -0.30	+0.10 -0.10	+0.10 -0.10	+0.10 -0.10	+0.10 -0.10	+0.10 -0.10	+0.15 -0.15

ITEM	DESC.	K=K MATERIAL	REMARKS	QTY
1	成品			
2	CARRIER TAPE	PET	W=24mm T=0.30mm	
3	COVER TAPE	PET	W=21.3mm T=0.05mm	18.6
4	标签		59mm*50mm	10
5	卷盘	纸盘	330mm*W28.5mm	10
7	外箱	K=K	L345mm*W340mm*320mm	1

THIS DOCUMENT IS THE SOLE PROPERTY OF BBJconn Technology Co.,Ltd. Corporation AND SHOULD NOT BE USED IN WHOLE OR IN PART WITHOUT PRIOR WRITTEN PERMISSION. PDWG.NO:

BBJconn $\$! c 2! \cdot \bullet 2! 0 \circ 9L \in \infty ($

.X: ± 0.38 X': $\pm 3'$
.XX: ± 0.25 .X': $\pm 2'$
.XXX: ± 0.13 .XX': $\pm 1'$

NAME: Çá*ç*Ø 2x4x3.5 ãà" 0.5Öü %øçÛ»Da,ÖµÆ~ 160GF (EÜÅU5WÍ)

APPD. JM_Zheng PJ. NO.: TS.05.58-42-58-01
CHKD. TSP SIZE: A4 DRW NO.:
FINISH: SEE NOTES MAT'L.: SEE NOTES
DR. LYX SCALE: N/A REV.: A3 UNIT: mm PAGE: 1/1