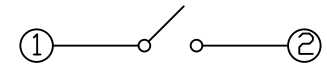
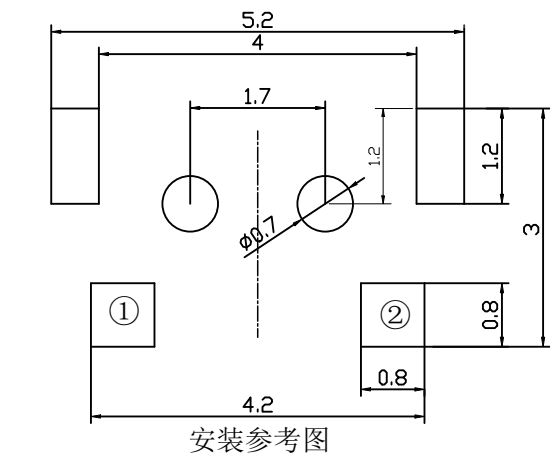
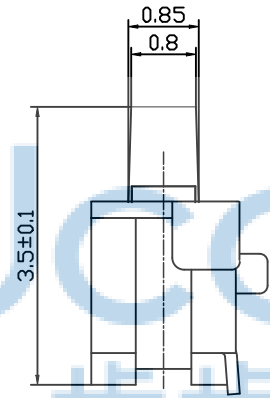
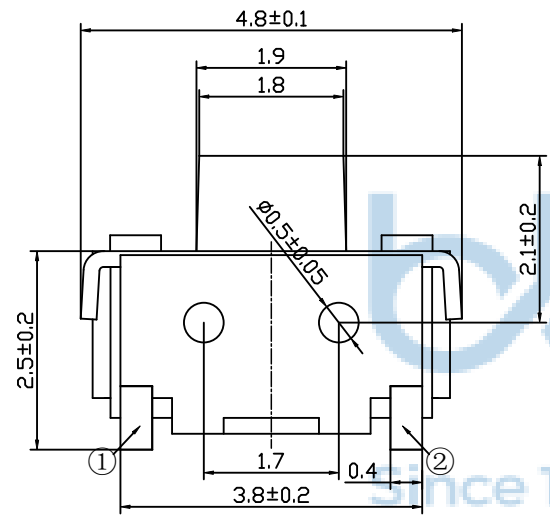
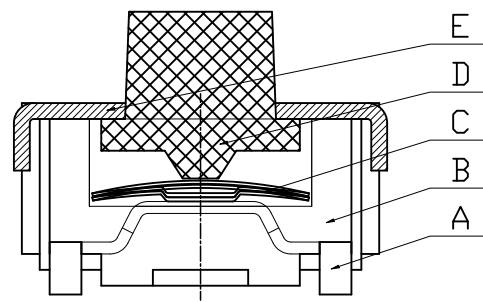
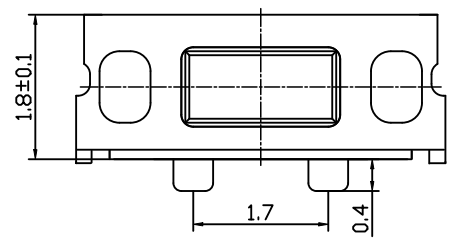


REV.	ECN NO	CONTENT	DATE	ENGINEER
A0				

技术要求:

1. 零部件表面光洁无划伤, 水花, 变形, 影响外观及性能等缺陷。
2. 额定电流: 50mA. 12V DC, 绝缘电阻100MΩ min, 100V DC, 介电强度250V AC for 1min, 接触电阻 200mΩ max。
3. 开关手感明显, 档位清晰可靠, 无卡滞现象, 消除外力后, 应能快速回位。按力: 160/260±30gf.
4. 行程: 0.2±0.1mm



原理图

安装参考图



序号	名称	材料	数量	备注
E	盖板	磷铜 0.2	1	镀银 0.2 μ
D	按钮	LCP 黑	1	
C	簧片	进口不锈钢覆银	2	外购
B	底座	LCP (白)	1	
A	卡件	磷铜 0.15	1	镀银 0.15 μ

THIS DOCUMENT IS THE SOLE PROPERTY OF BBJconn Technology Co., Ltd. Corporation AND SHOULD NOT BE USED IN WHOLE OR IN PART WITHOUT PRIOR WRITTEN PERMISSION. PDWG.NO: 0278-1

深圳市步步精科技有限公司

NAME: 轻触开关 2x4x3.5 侧按 0.5柱 不锈钢弹片 160gf

APPD. JM_Zheng

CHKD. TSP

DR. LYX

PJ. NO.: TS.05.58-42-38-01

SIZE: A4 DRW NO.:

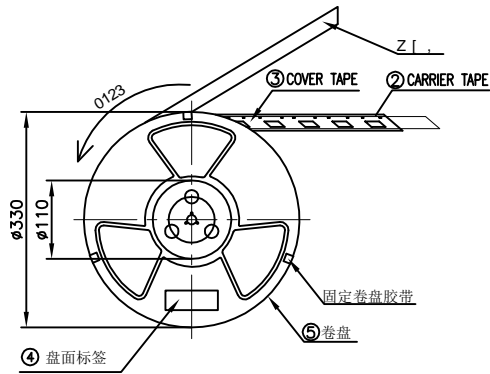
FINISH: SEE NOTES MAT'L.: SEE NOTES

SCALE: N/A REV.: A0 UNIT: mm PAGE: 1/2

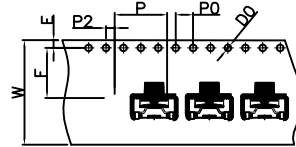
REV.	ECN NO	CONTENT	DATE	ENGINEER
A0				

NOTE:

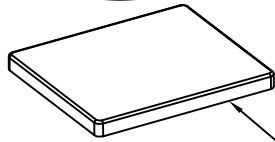
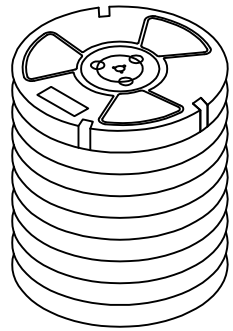
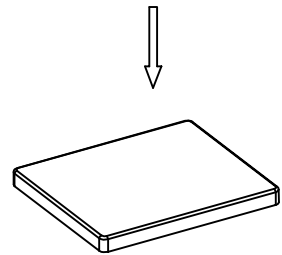
1. QUANTITY/REEL: 3000 PCS
 P Q / \$: 3000 PCS
 QUANTITY/INNER CARTON: 3000 X 14 = 42000 PCS max
 P Q / E : 3000 X 14 = 42000 PCS max
 2% & X * \$ N , D Y Z [,



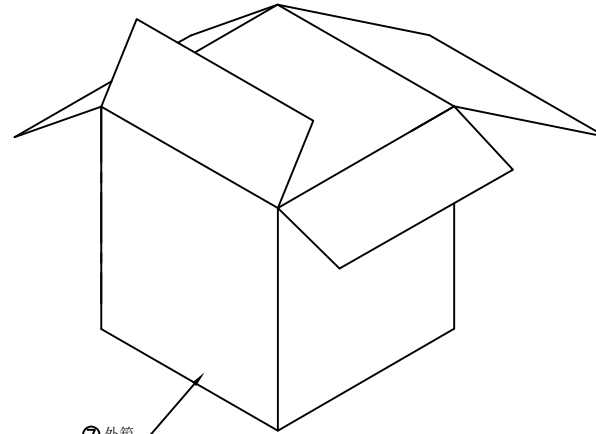
2: - . / 0 1
+ , * REEL



1: % & ' () * + ,



3: 10盘REEL整齐的重叠在一起，
上下各放一个天地板。



⑦ 外箱

4: 直接装入外箱。

ITRM	W	P	F	E	DO	PO	P2
DIM	24.00	12.00	11.50	1.75	1.50	4.00	2.00
TOLE	+0.30 -0.30	+0.10 -0.10	+0.10 -0.10	+0.10 -0.10	+0.10 -0.10	+0.10 -0.10	+0.15 -0.15

1	\ &			
2	CARRIER TAPE	PET	W=24mm T=0.30mm	
3	COVER TAPE	PET	W=21.3mm T=0.05mm	18.6
4	" #		59mm*50mm	10
5	\$]	ø330mm*W28.5mm	10
7	D E	K=K	L345mm*W340mm*320mm	1
ITEM	DESC.	MATERIAL	REMARKS	QTY

THIS DOCUMENT IS THE SOLE PROPERTY OF BBJconn Technology Co.,Ltd. Corporation AND SHOULD NOT BE USED IN WHOLE OR IN PART WITHOUT PRIOR WRITTEN PERMISSION.

PDWG.NO:

DR. LYX

NAME: Çá%¿¡Ø 2x4x3.5 ²à" 0.5Öü ²»Đà, Öµ" E= 160gf

PJ. NO.: TS.05.58-42-38-01

SIZE: A4 DRW NO.:

FINISH: SEE NOTES MAT'L.: SEE NOTES

SCALE: N/A REV.: A3 UNIT: mm PAGE: 2/2