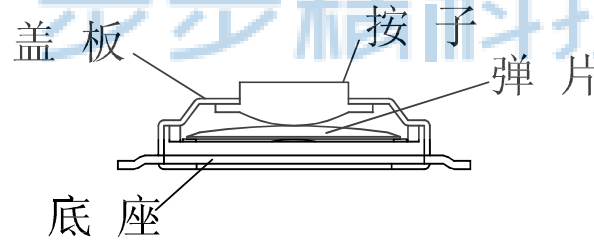
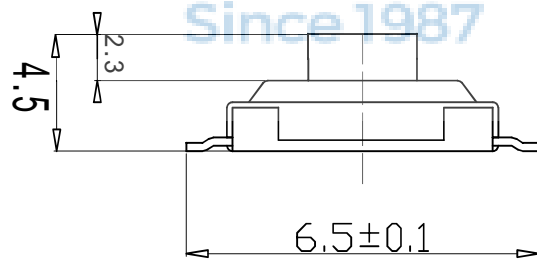
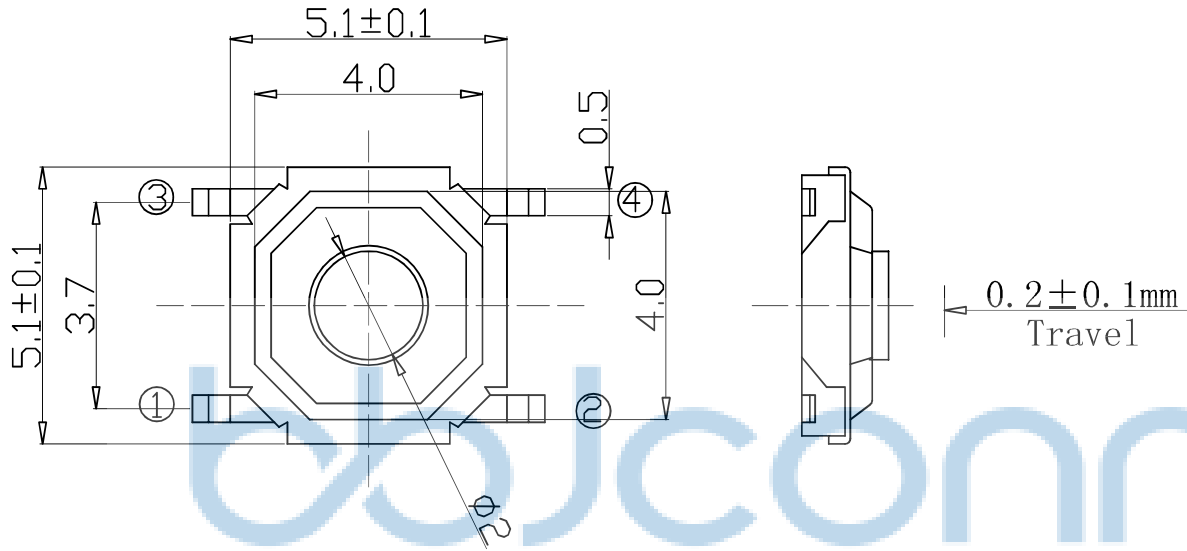


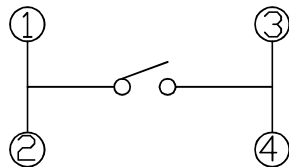
REV.	ECN NO.	CONTENT	DATE	ENGINEER
A0		Initial release	/	SGF

Specification of KFC Flip Switch

1. Contact; Mechanical Contact
2. Rating; Dc12v50mA
3. Travel; 0.25+0.1M/M
4. Operating Force; 260 ± 30gf
5. Contact Resistance; 30mΩ Max
6. Life; 80000 Cycles Mim



序号	名称	数量	材料	镀涂/颜色
4	弹片	1	0.05mm 不锈钢	银白色
3	按子	1	黄铜	黄色
2	盖板	1	0.1mm 不锈钢	镀银
1	底座	1	0.15mm 黄铜与 PA66	黑色与镀银

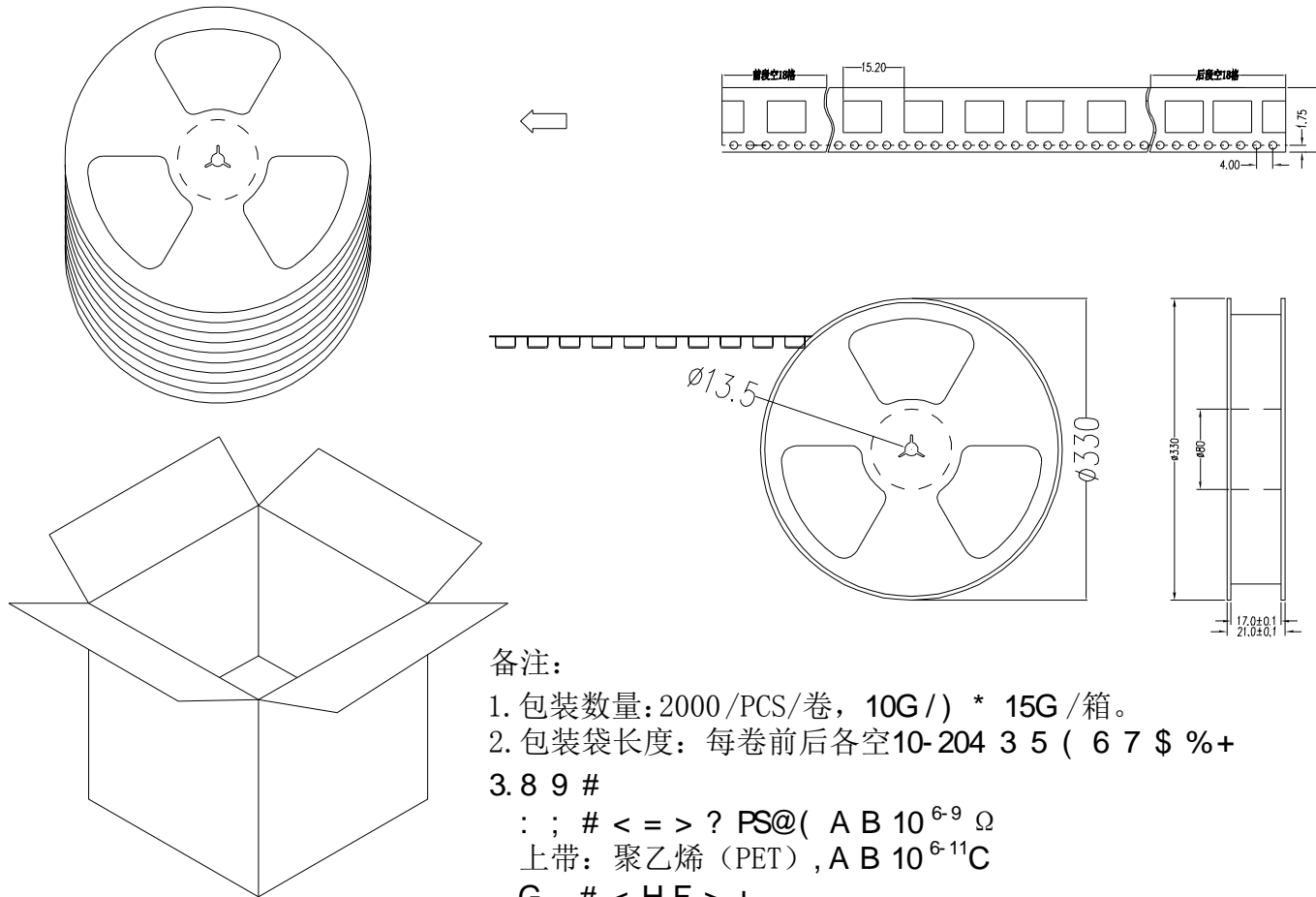


THIS DOCUMENT IS THE SOLE PROPERTY OF BBJconn Technology Co., Ltd. Corporation AND SHOULD NOT BE USED IN WHOLE OR IN PART WITHOUT PRIOR WRITTEN PERMISSION.  
PDWG.NO: 0278-1

**深圳市步步精科技有限公司**

NAME: 轻触开关 4x4x4.5 铜头贴片 不锈钢弹片 260g
 APPD. JM\_Zheng  
 CHKD. LYX  
 DR. SGF

PJ. NO.: TS.03.11-11-38-01  
 SIZE: A4 DRW NO.:  
 FINISH: SEE NOTES MAT'L.: SEE NOTES  
 SCALE: N/A REV.: A0 UNIT: mm PAGE: 1/2



备注:

1. 包装数量: 2000 / PCS / 卷, 10G / ) \* 15G / 箱。
2. 包装袋长度: 每卷前后各空10-204 3 5 ( 6 7 \$ % +
3. 8 9 #  
: ; # < = > ? PS@ ( A B 10<sup>6-9</sup> Ω  
上带: 聚乙烯 (PET), A B 10<sup>6-11</sup> C  
G # < H F > +  
I ) J 5 # 345\*345\*23MM  
I ) J 5 # 345\*345\*35MM

THIS DOCUMENT IS THE SOLE PROPERTY OF BBJconn Technology Co.,Ltd. Corporation AND SHOULD NOT BE USED IN WHOLE OR IN PART WITHOUT PRIOR WRITTEN PERMISSION.		\$! c 2! • 2! 0 ° 9L€ œ (	
PDWG.NO: 0278-1		DR. SGF	NAME: Çá'¥¿ª¹Ø 4x4x4.5 í-í-ùÆ-²»Đâ,Öµ-Æ- 260g APPD. JM_Zheng CHKD. LYX FINISH: SEE NOTES SCALE: N/A REV.: A0 UNIT: mm
			PJ. NO.: TS.03.11-11-38-01 SIZE: A4 DRW NO.: MAT'L.: SEE NOTES PAGE: 2/2