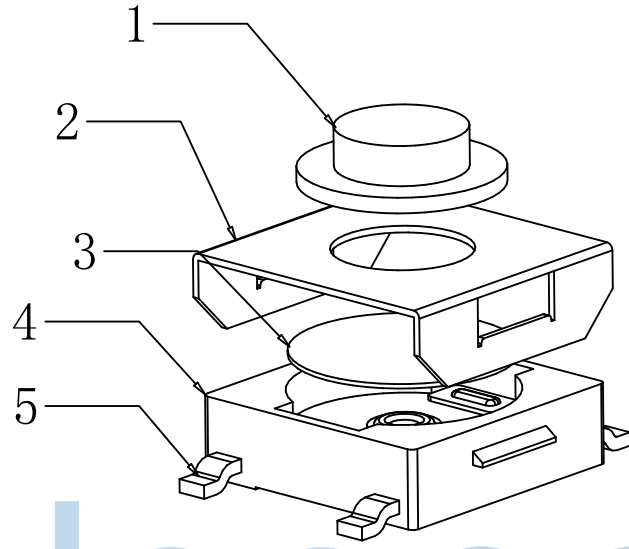
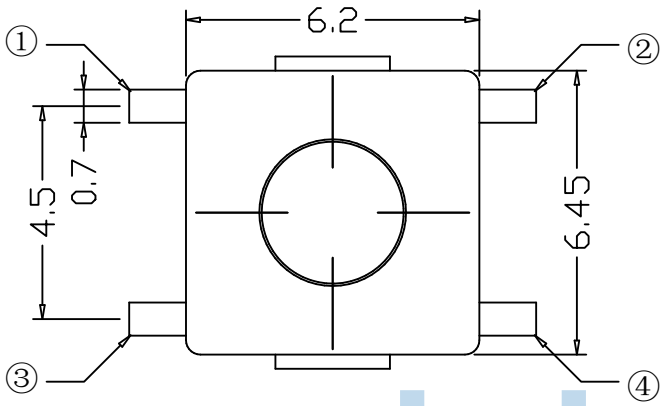
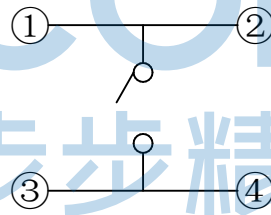
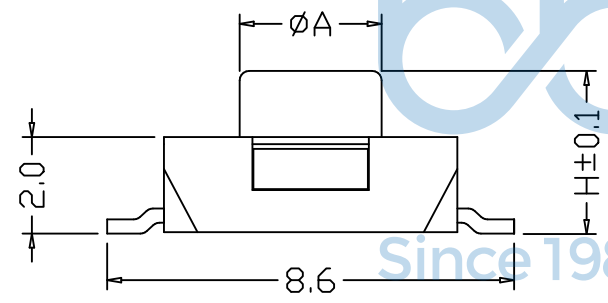


REV.	ECN NO.	CONTENT	DATE	ENGINEER
A0		Initial release	/	TSP

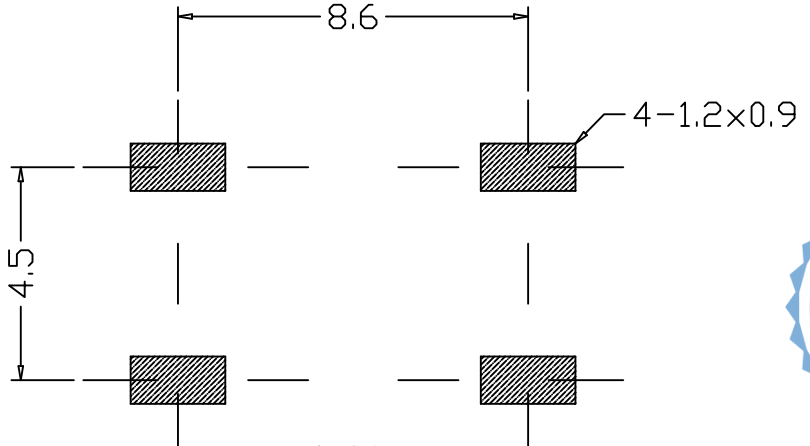


性能	
额定规格	DC12V/50mA
接触电阻	≤100mΩ
绝缘电阻	≥100MΩ
耐电压	AC250V/min
动作力	160/260±50gf

A	H (高度)
∅3.0	2.5
∅3.0	2.7
∅3.0	3.1
∅3.0	3.4
∅2.9	3.7
∅2.9	4.3
∅2.9	5
∅2.9	5.5



电路图



PCB线路板图



序号	产品名称	材料规格	表面处理 颜色	数量
1	按钮	PPA		1
2	盖板	不锈钢304	镀铜锡	1
3	簧片	不锈钢		1
4	底座	PPA		1
5	接线片	铜	镀银	1

THIS DOCUMENT IS THE SOLE PROPERTY OF BBJconn Technology Co., Ltd. Corporation AND SHOULD NOT BE USED IN WHOLE OR IN PART WITHOUT PRIOR WRITTEN PERMISSION.

深圳市步步精科技有限公司

NAME: 轻触开关 6.2x6.2x4.3 平座 四脚贴片 不锈钢弹片 260gf 红柄 不锈钢盖 编带

APPD. JM_Zheng

CHKD. LYX

DR. TSP

PJ. NO.: TS.18.10-11-3Z-02

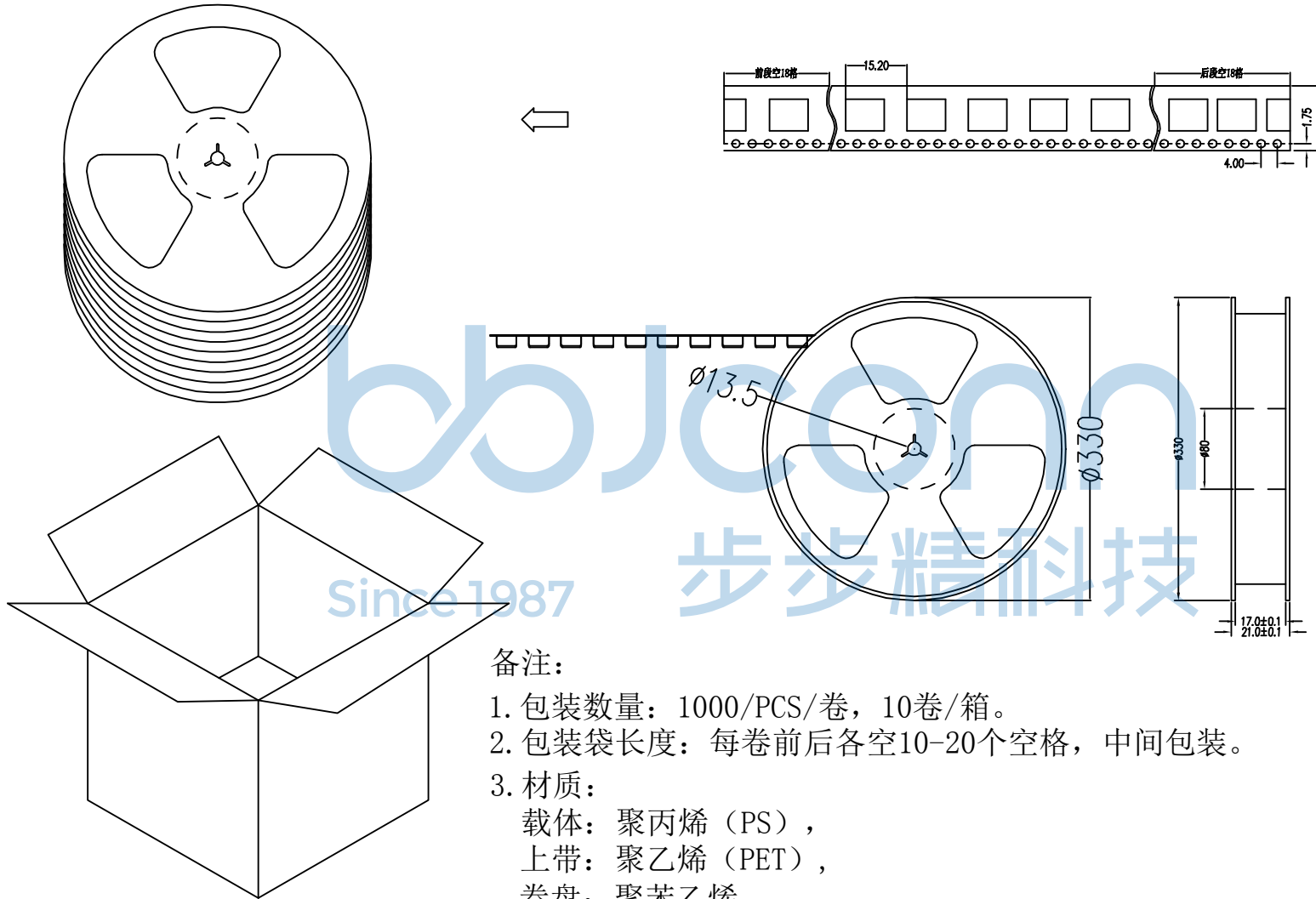
SIZE: A4 | DRW NO.:

FINISH: SEE NOTES | MAT'L.: SEE NOTES

SCALE: N/A | REV.: A0 | UNIT: mm | PAGE: 1/2

PDWG.NO: 0472-1

REV.	ECN NO	CONTENT	DATE	ENGINEER
A0		Initial release	/	TSP




备注:

1. 包装数量: 1000/PCS/卷, 10卷/箱。
2. 包装袋长度: 每卷前后各空10-20个空格, 中间包装。
3. 材质:
载体: 聚丙烯 (PS),
上带: 聚乙烯 (PET),
卷盘: 聚苯乙烯。

纸箱规格: 345*345*23MM

纸箱规格: 345*345*35MM

THIS DOCUMENT IS THE SOLE PROPERTY OF BBJconn Technology Co.,Ltd. Corporation AND SHOULD NOT BE USED IN WHOLE OR IN PART WITHOUT PRIOR WRITTEN PERMISSION.		 深圳市步步精科技有限公司	
.X: ±0.38 .XX: ±0.25 .XXX: ±0.13		X': ±3" X'': ±2" X'': ±1"	
APPD.	JM_Zheng	NAME: 轻触开关 6.2x6.2x4.3 平座 四脚贴片 不锈钢弹片 260gf 红柄 不锈钢盖 编带	
CHKD.	LYX	PJ. NO.: TS.18.10-11-3Z-02	
DR.	TSP	SIZE: A4 DRW NO.:	
PDWG,NO:	0472-1	FINISH: SEE NOTES MAT'L.: SEE NOTES	
		SCALE: N/A REV.: A0 UNIT: mm PAGE: 2/2	