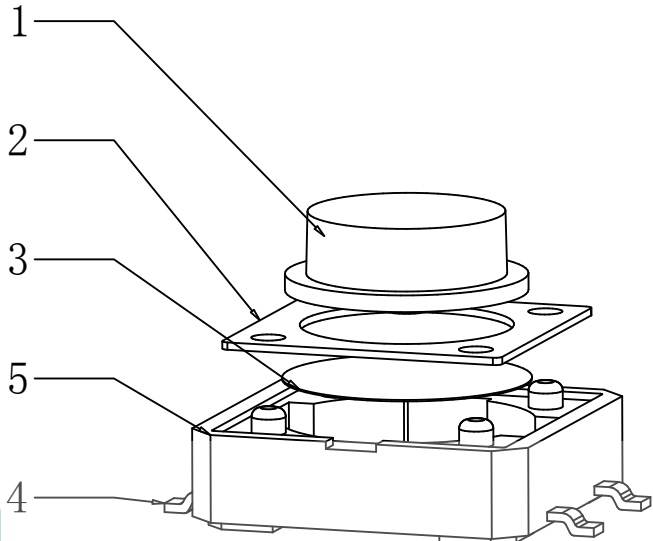
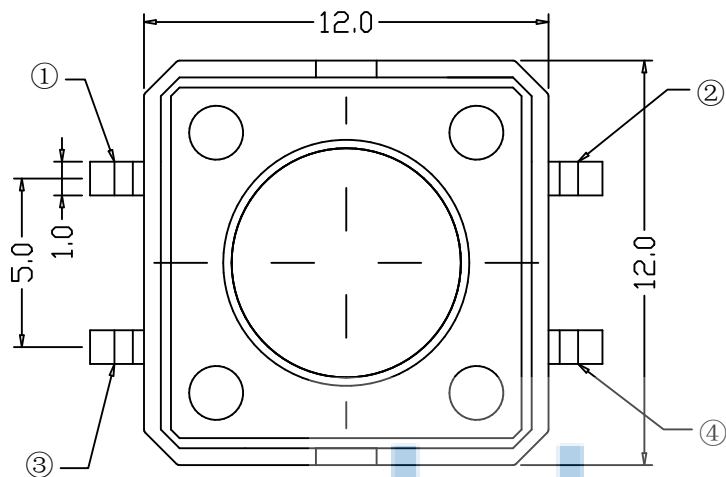
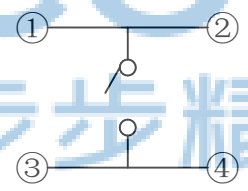
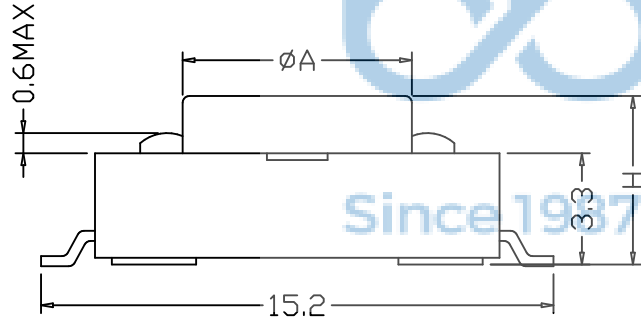


REV.	ECN NO.	CONTENT	DATE	ENGINEER
A0				

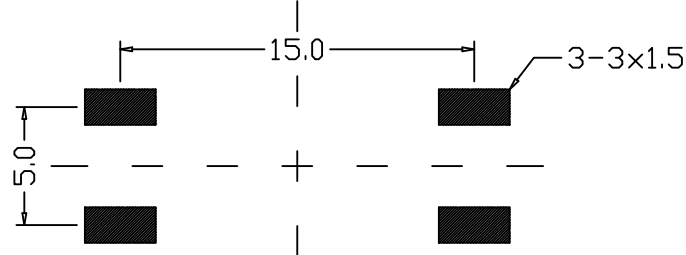


性能	
额定规格	DC12V/50mA
接触电阻	≤100mΩ
绝缘电阻	≥100MΩ
耐电压	AC250V/min
动作力	160/260 ± 30gf

A	H (高度)
∅6.8	4.3
∅6.8	4.5
∅6.7	5
∅6.7	5.5
∅6.7	6
∅6.6	6.5~7.5
∅6.5	8~9.5
∅6.2	10~20



电路图



PCB线路板图



序号	产品名称	材料规格	表面处理	颜色	数量
1	按钮	PPA			1
2	盖板	铁	镀铜锡		1
3	簧片	高精铜	复银		1
3	簧片	不锈钢			1
4	接线片	铜	镀银		1
5	底座	PPA			1

THIS DOCUMENT IS THE SOLE PROPERTY OF BBJconn Technology Co., Ltd. Corporation AND SHOULD NOT BE USED IN WHOLE OR IN PART WITHOUT PRIOR WRITTEN PERMISSION.

PDWG.NO: 0472-1

**深圳市步步精科技有限公司**

NAME: 轻触开关 12x12x4.3 四脚贴片 不锈钢弹片 260GF

APPD. JM\_Zheng

CHKD. TSP

DR. LYX

PJ. NO.: TS.14.10-11-3Z-01

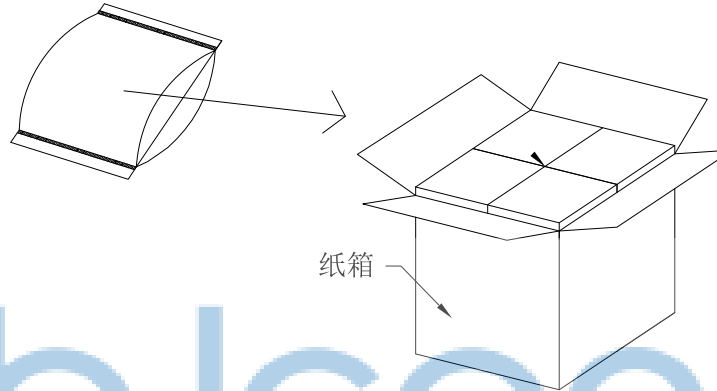
SIZE: A4 | DRW NO.:

FINISH: SEE NOTES | MAT'L.: SEE NOTES

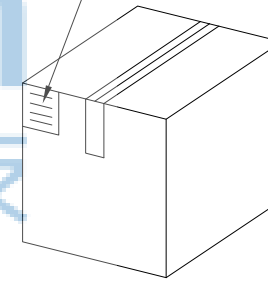
SCALE: N/A | REV.: A0 | UNIT: mm | PAGE: 1/1

REV.	ECN NO.	CONTENT	DATE	ENGINEER
A0				

PE袋规格: 260\*185



成品标签



1. 包装要求:

- 1.1 每个PE袋包装500PCS;
- 1.2 每1袋放一小纸盒;
- 1.3 每20个小纸盒放一个纸箱, 共计10000PCS;
- 1.4 纸箱外贴上标签



THIS DOCUMENT IS THE SOLE PROPERTY OF BBJconn Technology Co., Ltd. Corporation AND SHOULD NOT BE USED IN WHOLE OR IN PART WITHOUT PRIOR WRITTEN PERMISSION.		深圳市步步精科技有限公司 .X: ±0.38 X': ±3' .XX: ±0.25 .X': ±2' .XXX: ±0.13 .XX': ±1'		NAME: 轻触开关 12x12x4.3 四脚贴片 不锈钢弹片 260GF PJ. NO.: TS.14.10-11-3Z-01 SIZE: A4 DRW NO.: FINISH: SEE NOTES MAT'L.: SEE NOTES SCALE: N/A REV.: A0 UNIT: mm PAGE: 1/1	
APPD.	JM_Zheng				
CHKD.	TSP				
PDWG.NO:	0472-1	DR.	LYX		