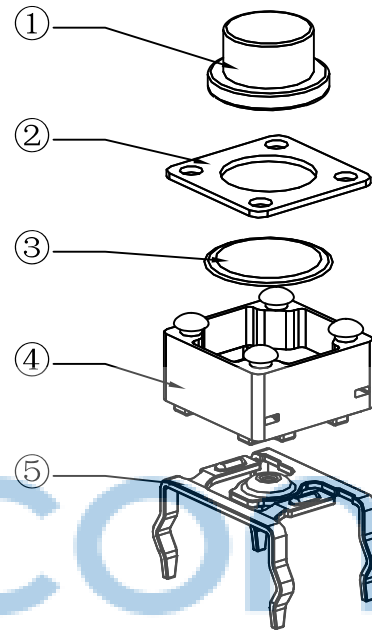
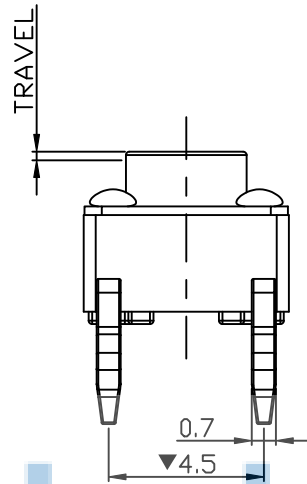
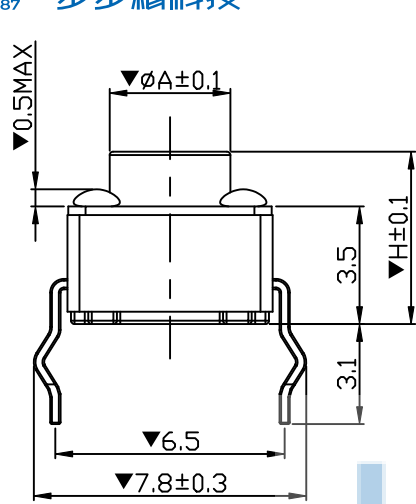


REV.	ECN NO.	CONTENT	DATE	ENGINEER
A0				

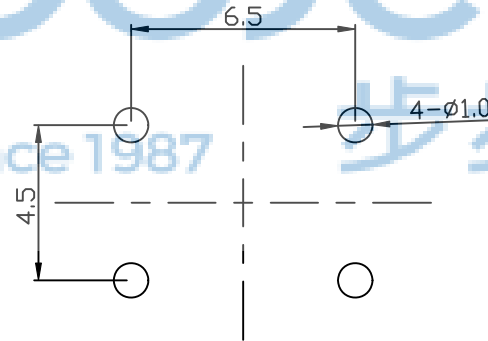
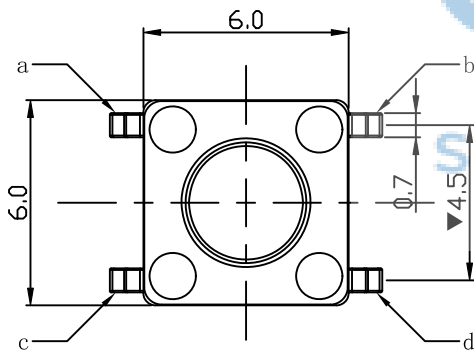


备注:

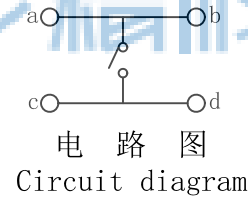
- 塑料件表面应光滑整洁, 无飞边、气泡、收缩、破裂等缺陷, 铆点无脱落、开花、大小不一等缺陷;
- 端子表面应清洁, 无锈蚀、变形、发黄、电镀不良等缺陷; 盖板应组装到位、无松动;
- ▼重要尺寸首件/自主/巡回等均需确认;
- 机械性能:
 1. 动作力: $250 \pm 50\text{gf}$ / $180 \pm 50\text{gf}$ / $100 \pm 50\text{gf}$;
 2. 寿命: 覆银铜弹片 50,000 CYCLES Min.; 不锈钢弹片 100,000 CYCLES Min.;

电气性能	
额定规格	DC12V/50mA
接触电阻	$\leq 100\text{m}\Omega$
绝缘电阻	$\geq 100\text{M}\Omega$
耐电压	AC250V/min

行程 (TRAVEL)	
260gf	0.25mm
160gf	0.20mm
100gf	



线路板图
PCB Diagram



A	H
(直径)	(高度)
	4.3
	4.5
$\phi 3.50$	4.7
	4.8
	5.0
$\phi 3.45$	5.5
$\phi 3.35$	6.0
$\phi 3.20$	6.5
$\phi 3.10$	7.0
	7.5
	8.0
	8.5
	9.0
	9.5
	10.0
	10.5
	11.0
	11.5
	12.0
	12.5
	13.0
	13.5
	14.0
	14.5
	15.0
	15.5
$\phi 3.00$	16.0
	16.5
	17.0
	17.5
	18.0
	18.5
	19.0
	19.5
	20.0
	21.0
	22.0
	23.0
	24.0
	25.0
	26.0
	27.0
	28.0
	29.0

序号	产品名称	材料规格	表面处理/颜色	数量
1	按钮	PPA		1
2	盖板	铁/铜	镀铜锡	1
3	弹片	覆银铜/不锈钢	镀银/无	1
4	基座	PPA	黑色	1
5	嵌件	高精铜	镀铜锡	1



THIS DOCUMENT IS THE
SOLE PROPERTY OF
BBJconn Technology Co.,Ltd.
Corporation AND SHOULD
NOT BE USED IN WHOLE
OR IN PART WITHOUT
PRIOR WRITTEN PERMISSION.
PDWG.NO: 0472-1

深圳市步步精科技有限公司

NAME: 轻触开关 6x6x7.0 弯脚直插 不锈钢弹片 260gf 铜盖 盐雾24小时 袋装

APPD. JM_Zheng

CHKD. TSP

DR. LYX

PJ. NO.: TS.01.17-21-3Z-01

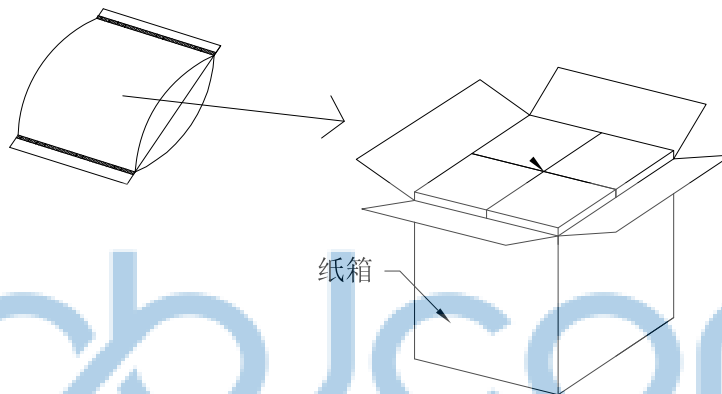
SIZE: A4 DRW NO.:

FINISH: SEE NOTES MAT'L.: SEE NOTES

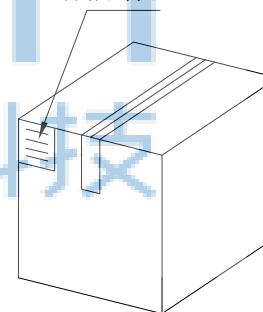
SCALE: N/A REV.: A3 UNIT: mm PAGE: 1/2

REV.	ECN NO	CONTENT	DATE	ENGINEER
A0				

PE袋规格: 260*185



成品标签



1. 包装要求:
- 1.1 每个PE袋包装1000PCS;
 - 1.2 每1袋放一小纸盒;
 - 1.3 每20个小纸盒放一个纸箱, 共计20000PCS;
 - 1.4 纸箱外贴上标签



THIS DOCUMENT IS THE SOLE PROPERTY OF BBJconn Technology Co., Ltd. CORPORATION AND SHOULD NOT BE USED IN WHOLE OR IN PART WITHOUT PRIOR WRITTEN PERMISSION.		深圳市步步精科技有限公司 .X: ±0.38 X': ±3" .XX: ±0.25 X'': ±2" .XXX: ±0.13 .XX': ±1"		NAME: 轻触开关 6x6x7.0 弯脚直插 不锈钢弹片 260gf 铜盖 盐雾24小时 袋装	
APPD.	JM_Zheng	PJ. NO.: TS.01.17-21-3Z-01		SIZE: A4 DRW NO.:	
CHKD.	TSP	FINISH: SEE NOTES		MAT'L.: SEE NOTES	
PDWG.NO:	0472-1	DR.	LYX	SCALE: N/A	REV.: A3 UNIT: mm PAGE: 2/2