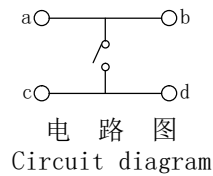


线路板图
PCB Diagram



REV.	ECN NO	CONTENT	DATE	ENGINEER
A0				

电气性能

- 1 额定规格: DC12V/50mA
- 2 接触电阻: $\leq 100m\Omega$
- 3 绝缘电阻: $\geq 100M\Omega$
- 4 耐电压: AC250V/min

备注:

1. 塑料件表面应光滑整洁, 无飞边、气泡、收缩、破裂等缺陷, 铆点无脱落、开花、大小不一等缺陷;
2. 端子表面应清洁, 无锈蚀、变形、发黄、电镀不良等缺陷; 盖板应组装到位、无松动;

3. ▼重要尺寸首件/自主/巡回等均需确认;

4. 机械性能:

- 5.1. 动作力: $260 \pm 50gf / 160 \pm 50gf / 100 \pm 50gf$;
- 5.2. 寿命: 覆银铜弹片 50,000 CYCLES Min.; 不锈钢弹片 100,000 CYCLES Min.;

行程 (TRAVEL)	
260gf	0.25mm
160gf	0.20mm
100gf	

A	H
(直径)	(高度)
	4.3
	4.5
	4.7
	4.8
	5.0
φ3.45	5.5
φ3.35	6.0
φ3.20	6.5
φ3.10	7.0
	7.5
	8.0
	8.5
	9.0
	9.5
	10.0
	10.5
	11.0
	11.5
	12.0
	12.5
	13.0
	13.5
	14.0
	14.5
	15.0
	15.5
φ3.00	16.0
	16.5
	17.0
	17.5
	18.0
	18.5
	19.0
	19.5
	20.0
	21.0
	22.0
	23.0
	24.0
	25.0
	26.0
	27.0
	28.0
	29.0



序号	产品名称	材料规格	表面处理/颜色	数量
1	按钮	PPA	黑色	1
2	盖板	铁/铜	镀铜锡	1
3	弹片	覆银铜/不锈钢	镀银/无	1
4	基座	PPA	黑色	1
5	嵌件	高精铜	镀铜锡	1

THIS DOCUMENT IS THE
SOLE PROPERTY OF
BBJconn Technology Co.,Ltd
Corporation AND SHOULD
NOT BE USED IN WHOLE
OR IN PART WITHOUT
PRIOR WRITTEN PERMISSION.
PDWG.No.: 0472-1

深圳市步步精科技有限公司

NAME: 轻触开关 6x6x6.0 四脚贴片 铁盖 不锈钢弹片 260GF 8.8脚距 编带

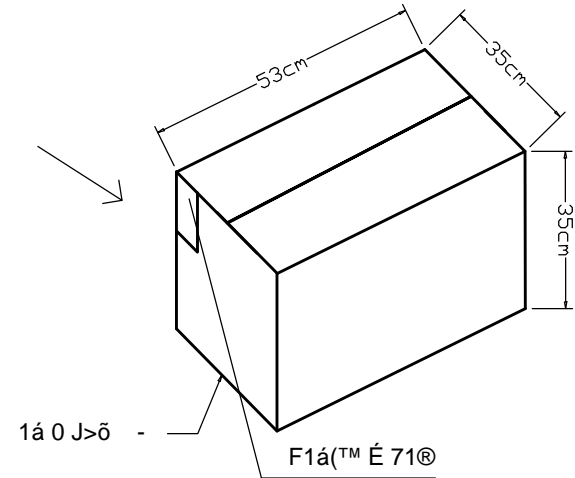
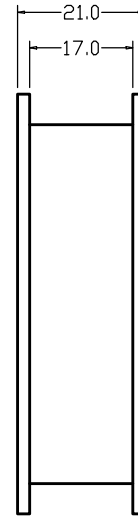
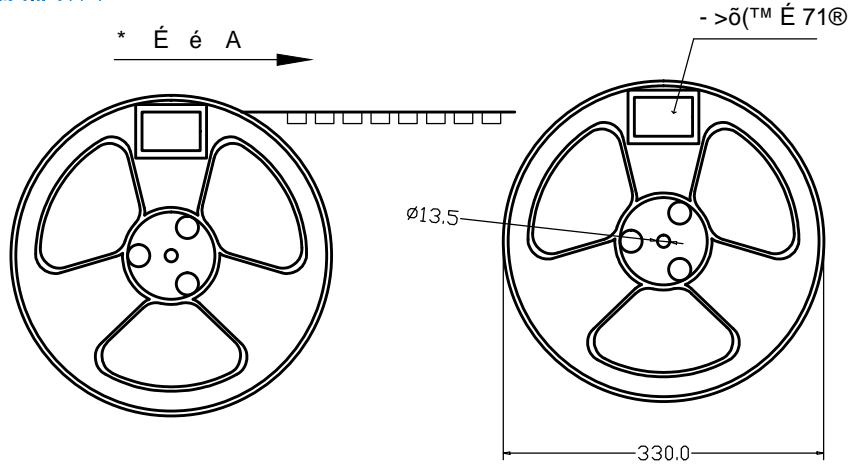
PJ. NO.: TS.01.15-11-3Z-01

SIZE: A4 DRW NO.:

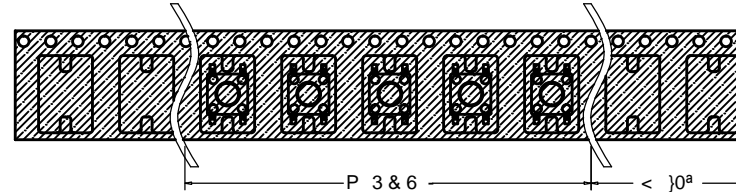
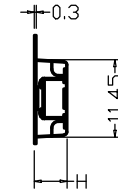
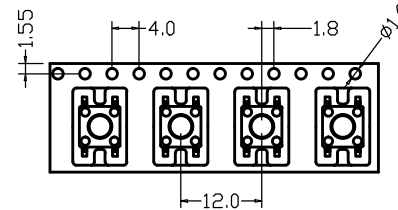
FINISH: SEE NOTES MAT'L.: SEE NOTES

SCALE: N/A REV.: A0 UNIT: mm PAGE: 1/2

APPD. JM_Zheng
CHKD. TSP
DR. LYX



× ñ?δ l	H (Q Ö)	P (PCS/盘)	Y ()0ª)
6x6x4.3	4.8mm	1000PCS	16PCS
6x6x4.5	5.0mm		
6x6x4.7	5.2mm		
6x6x4.8	5.5mm		
6x6x5.0	5.5mm		
6x6x5.5	6.0mm		
6x6x6.0	6.5mm	800PCS	
6x6x6.5	7.3mm		
6x6x7.0	7.3mm	700PCS	
6x6x7.5	7.8mm		
6x6x8.0	8.3mm	500PCS	
6x6x8.5	8.8mm		
6x6x9.0	9.3mm		
6x6x9.5	9.8mm		
6x6x10.0	10.3mm	400PCS	
6x6x10.5	10.8mm		
6x6x11.0	11.3mm	350PCS	
6x6x11.5	11.8mm		
6x6x12.0	12.3mm		
6x6x12.5	12.8mm		
6x6x13.0	13.3mm		
6x6x13.5	13.8mm		
6x6x14.0	14.3mm		
6x6x14.5	14.8mm		



THIS DOCUMENT IS THE SOLE PROPERTY OF BBJconn Technology Co., Ltd. Corporation AND SHOULD NOT BE USED IN WHOLE OR IN PART WITHOUT PRIOR WRITTEN PERMISSION.

PDWG.No./ 0472-1

DR. LYX 23/05'02

APPD. JM_Zheng 23/05'02

CHKD. TSP 23/05'02

深圳市步步精科技有限公司

NAME: Çá %jª10 6x6x6.0 ÉÄ%ÁüÆ- iü, Ç²»Ðá, ÖµªÆ- 260GF 8.8%Ä%à ±á0

PJ. NO.: TS.01.15-11-3Z-01

SIZE: A4 DRW NO.:

FINISH: SEE NOTES MAT'L.: SEE NOTES

SCALE: N/A REV.: A0 UNIT: mm PAGE: 2/2