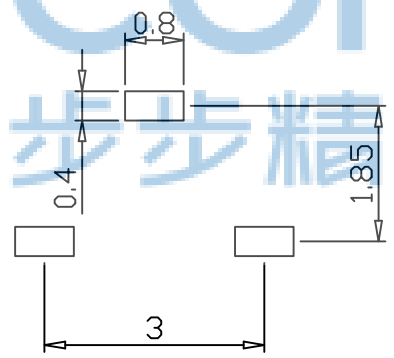
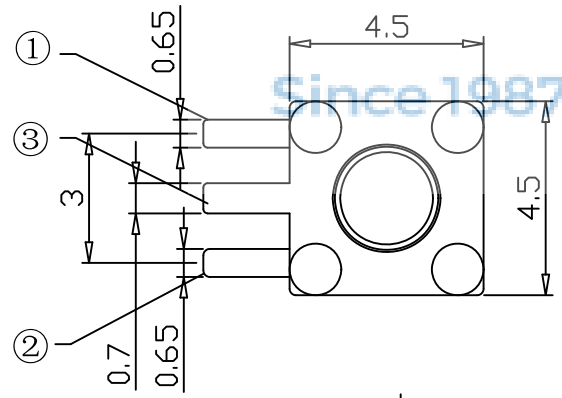
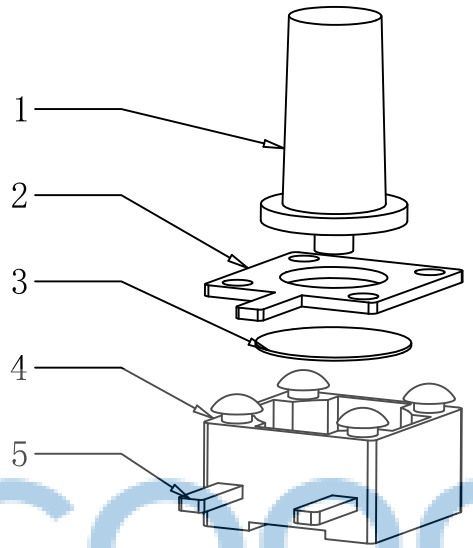
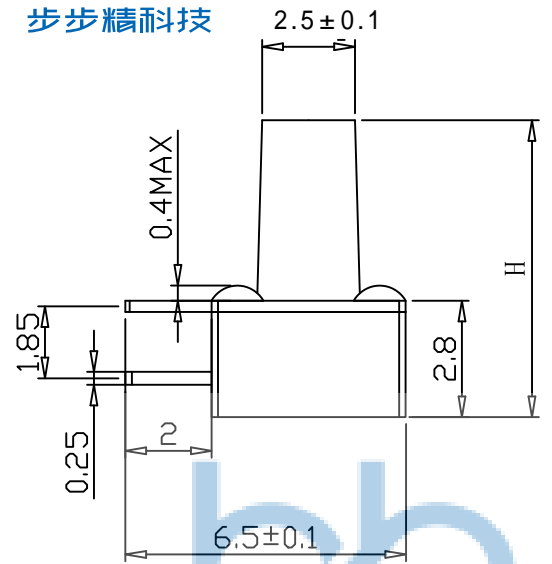
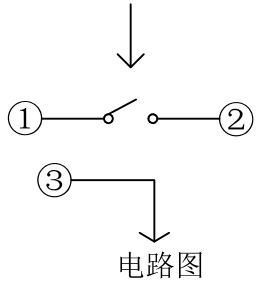


REV.	ECN NO.	CONTENT	DATE	ENGINEER
A0				

性能	
额定规格	DC12V/50mA
接触电阻	≤100mΩ
绝缘电阻	≥100MΩ
耐电压	AC250V/min
动作力	160±50gf



PCB线路板图



电路图



序号	产品名称	材料规格	表面处理 颜色	数量
1	按钮	PPA		1
2	盖板	铜	镀铜锡	1
3	簧片	不锈钢		1
4	接线片	铜	镀银	1
5	底座	PPA		1

THIS DOCUMENT IS THE SOLE PROPERTY OF BBJconn Technology Co., Ltd. Corporation AND SHOULD NOT BE USED IN WHOLE OR IN PART WITHOUT PRIOR WRITTEN PERMISSION.

PDWG.NO: 0472-1

深圳市步步精科技有限公司

NAME: 轻触开关 4.5x4.5x3.8 边三脚 不锈钢弹片 160gf 铜盖 袋装

APPD. JM_Zheng

CHKD. TSP

DR. LYX

尺寸公差: .X: ±0.38, .XX: ±0.25, .XXX: ±0.13; X': ±3', X'': ±2', .XX': ±1'

PJ. NO.: 101-172-093002-V5G

SIZE: A4

FINISH: SEE NOTES

SCALE: N/A

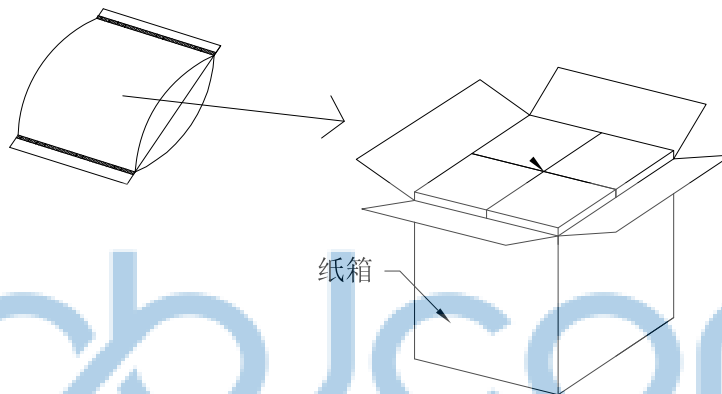
REV.: A3

UNIT: mm

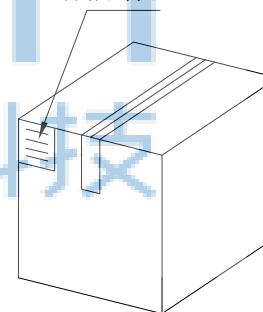
PAGE: 1/2

REV.	ECN NO	CONTENT	DATE	ENGINEER
A0				

PE袋规格: 260*185



成品标签



1. 包装要求:
- 1.1 每个PE袋包装1000PCS;
 - 1.2 每1袋放一小纸盒;
 - 1.3 每20个小纸盒放一个纸箱, 共计20000PCS;
 - 1.4 纸箱外贴上标签



THIS DOCUMENT IS THE SOLE PROPERTY OF BBJconn Technology Co., Ltd. Corporation AND SHOULD NOT BE USED IN WHOLE OR IN PART WITHOUT PRIOR WRITTEN PERMISSION.		深圳市步步精科技有限公司 .X: ±0.38 X': ±3" .XX: ±0.25 X'': ±2" .XXX: ±0.13 .XX': ±1"		NAME: 轻触开关 4.5x4.5x3.8 边三脚 不锈钢弹片 160gf 铜盖 袋装	
APPD.	JM_Zheng	P.J. NO.: 101-172-093002-V5G		SIZE: A4 DRW NO.:	
CHKD.	TSP	FINISH: SEE NOTES		MAT'L.: SEE NOTES	
PDWG,NO:	0472-1	DR.	LYX	SCALE: N/A	REV.: A3 UNIT: mm PAGE: 2/2