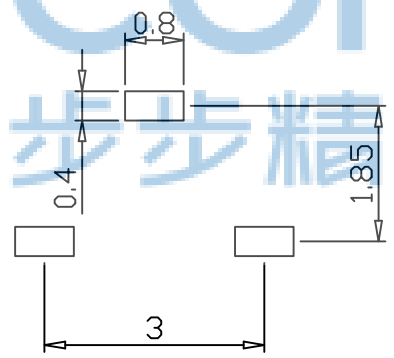
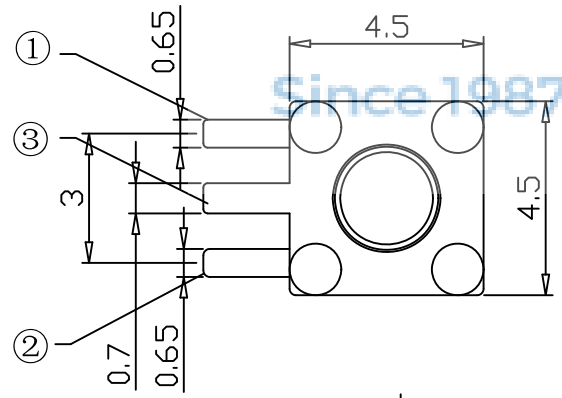
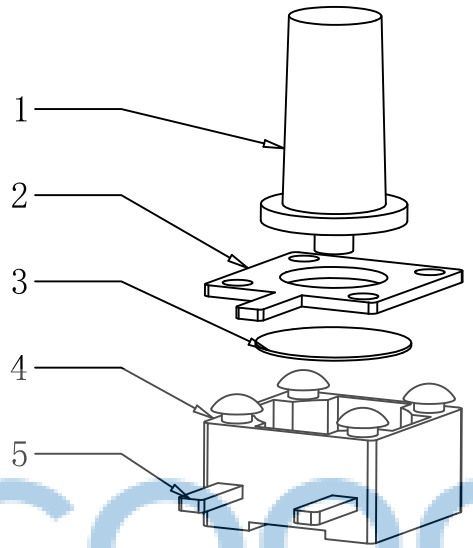
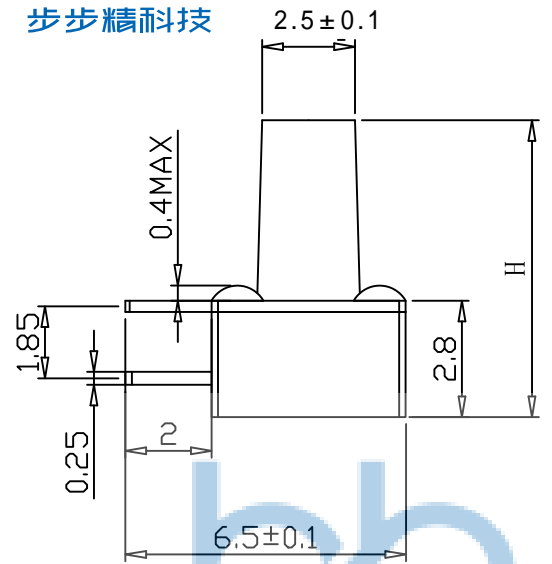
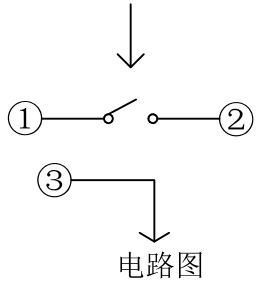


REV.	ECN NO.	CONTENT	DATE	ENGINEER
A0				

性能	
额定规格	DC12V/50mA
接触电阻	≤100mΩ
绝缘电阻	≥100MΩ
耐电压	AC250V/min
动作力	160±50gf



PCB线路板图



电路图



序号	产品名称	材料规格	表面处理 颜色	数量
1	按钮	PPA		1
2	盖板	铁	镀铜锡	1
3	簧片	不锈钢		1
4	接线片	铜	镀银	1
5	底座	PPA		1

THIS DOCUMENT IS THE SOLE PROPERTY OF BBJconn Technology Co., Ltd. Corporation AND SHOULD NOT BE USED IN WHOLE OR IN PART WITHOUT PRIOR WRITTEN PERMISSION.

PDWG.NO: 0472-1

APPD. JM\_Zheng  
CHKD. TSP  
DR. LYX

深圳市步步精科技有限公司

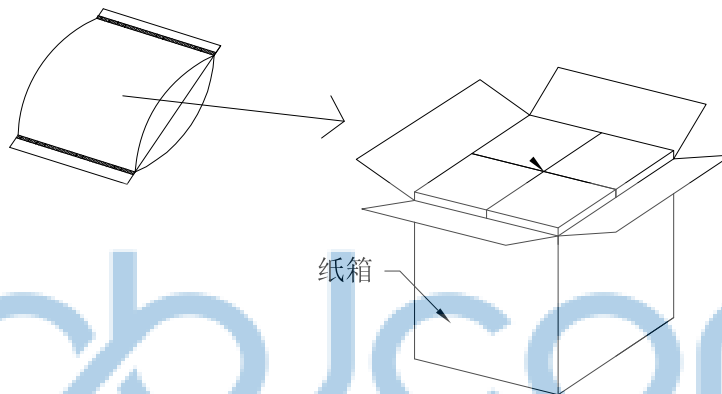
NAME: 轻开关 4.5x4.5x3.8 边三脚 不锈钢弹片 160gf

PJ. NO.: 101-172-093001-V5G  
SIZE: A4  
FINISH: SEE NOTES  
SCALE: N/A

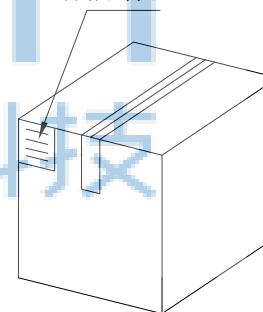
REV.: A3  
UNIT: mm  
PAGE: 1/2

REV.	ECN NO	CONTENT	DATE	ENGINEER
A0				

PE袋规格: 260\*185



成品标签



1. 包装要求:
- 1.1 每个PE袋包装1000PCS;
  - 1.2 每1袋放一小纸盒;
  - 1.3 每20个小纸盒放一个纸箱, 共计20000PCS;
  - 1.4 纸箱外贴上标签



THIS DOCUMENT IS THE SOLE PROPERTY OF		<b>深圳市步步精科技有限公司</b>	
BBYconn Technology Co., Ltd. Corporation AND SHOULD NOT BE USED IN WHOLE OR IN PART WITHOUT PRIOR WRITTEN PERMISSION.		NAME: 轻触开关 4.5x4.5x3.8 边三脚 不锈钢弹片 160gf	
PDWG.NO: 0472-1		APPD. JM_Zheng	PJ. NO.: 101-172-093001-V5G
		CHKD. TSP	SIZE: A4 DRW NO.:
		DR. LYX	FINISH: SEE NOTES MAT'L.: SEE NOTES
			SCALE: N/A REV.: A3 UNIT: mm PAGE: 2/2