

REV.	ECN NO	CONTENT	DATE	ENGINEER
A0		Initial release	/	TSP

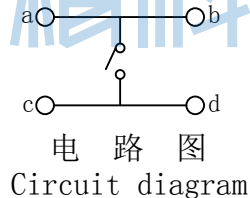
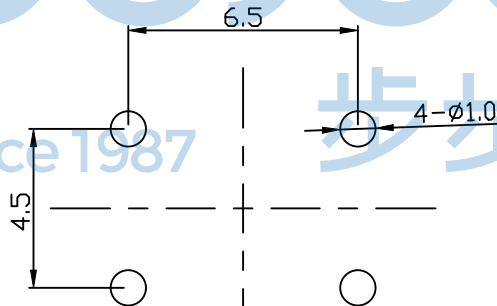
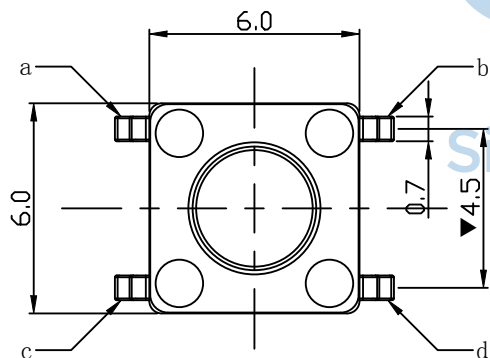
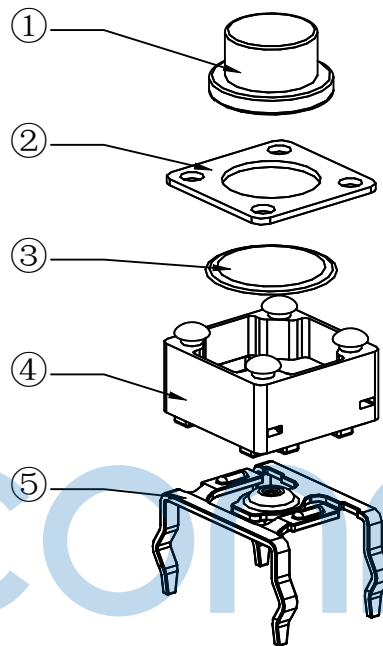
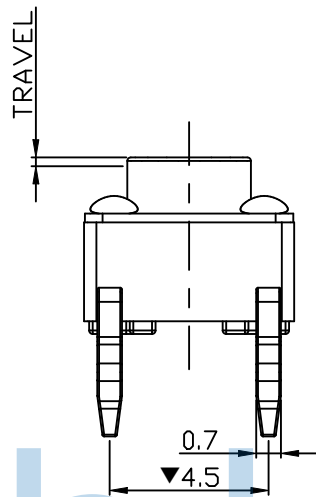
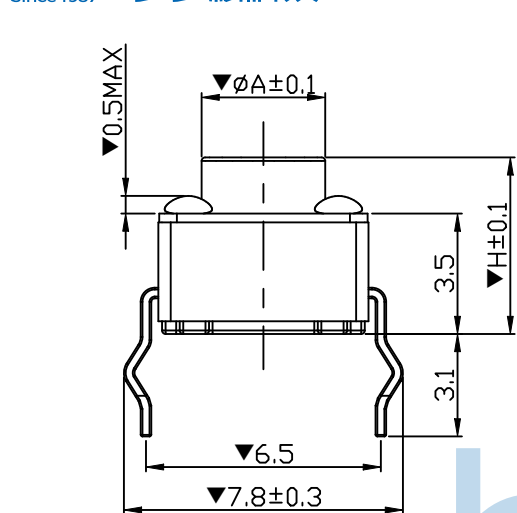
备注:

- 塑料件表面应光滑整洁, 无飞边、气泡、收缩、破裂等缺陷, 铆点无脱落、开花、大小不一等缺陷;
- 端子表面应清洁, 无锈蚀、变形、发黄、电镀不良等缺陷; 盖板应组装到位、无松动;
- ▼重要尺寸首件/自主/巡回等均需确认;
- 机械性能:
 1. 动作力: 250±50gf/180±50gf/100±50gf;
 2. 寿命: 覆银铜弹片 50,000 CYCLES Min.; 不锈钢弹片 100,000 CYCLES Min.;

电气性能	
额定规格	DC12V/50mA
接触电阻	≤100mΩ
绝缘电阻	≥100MΩ
耐电压	AC250V/min

行程 (TRAVEL)	
260gf	0.25mm
160gf	0.20mm
100gf	

A (直径)	H (高度)	
∅3.50	4.3	
	4.5	
	4.7	
	4.8	
	5.0	
	∅3.45	5.5
	∅3.35	6.0
	∅3.20	6.5
	∅3.10	7.0
		7.5
∅3.00	8.0	
	8.5	
	9.0	
	9.5	
	10.0	
	10.5	
	11.0	
	11.5	
	12.0	
	12.5	
13.0		
13.5		
14.0		
14.5		
15.0		
15.5		
16.0		
16.5		
17.0		
17.5		
18.0		
18.5		
19.0		
19.5		
20.0		
21.0		
22.0		
23.0		
24.0		
25.0		
26.0		
27.0		
28.0		
29.0		



线路板图
PCB Diagram



序号	产品名称	材料规格	表面处理/颜色	数量
1	按钮	PPA		1
2	盖板	铁/铜	镀铜锡	1
3	弹片	覆银铜/不锈钢	镀银/无	1
4	底座	PPA	黑色	1
5	嵌件	高精铜	镀铜锡	1



THIS DOCUMENT IS THE SOLE PROPERTY OF BBJconn Technology Co., Ltd. Corporation AND SHOULD NOT BE USED IN WHOLE OR IN PART WITHOUT PRIOR WRITTEN PERMISSION.
PDWG.NO: 0472-1

深圳市步步精科技有限公司

NAME: 轻触开关 6x6x11 弯脚直插 不锈钢弹片 160gf

PJ. NO.: 101-012-023001-V5G

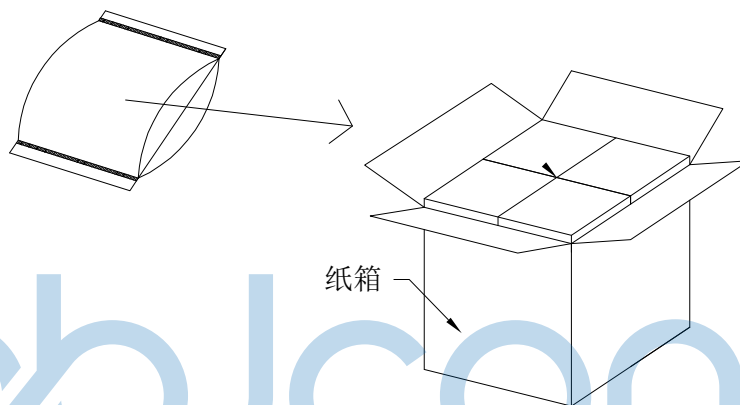
SIZE: A4 | DRW NO.:

FINISH: SEE NOTES | MAT'L.: SEE NOTES

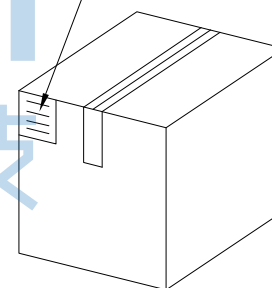
SCALE: N/A | REV.: A0 | UNIT: mm | PAGE: 1/2

REV.	ECN NO	CONTENT	DATE	ENGINEER
A0		Initial release	/	TSP

PE袋规格: 260*185



成品标签



1. 包装要求:

- 1.1 每个PE袋包装1000pcs;
- 1.2 每1袋放一小纸盒;
- 1.3 每20个小纸盒放一个纸箱, 共计20000pcs;
- 1.4 纸箱外贴上标签



THIS DOCUMENT IS THE SOLE PROPERTY OF BBJconn Technology Co.,Ltd. Corporation AND SHOULD NOT BE USED IN WHOLE OR IN PART WITHOUT PRIOR WRITTEN PERMISSION.		深圳市步步精科技有限公司 .X: ±0.38 .X': ±3" .XX: ±0.25 .X'': ±2" .XXX: ±0.13 .XX': ±1"		NAME: 轻触开关 6x6x11 弯脚直插 不锈钢弹片 160gf PJ. NO.: 101-012-023001-V5G SIZE: A4 DRW NO.: FINISH: SEE NOTES MAT'L.: SEE NOTES SCALE: N/A REV.: A0 UNIT: mm PAGE: 2/2	
APPD.	JM_Zheng				
CHKD.	LYX				
PDWG.NO:	0472-1	DR.	TSP		