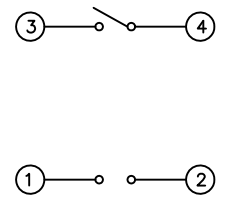
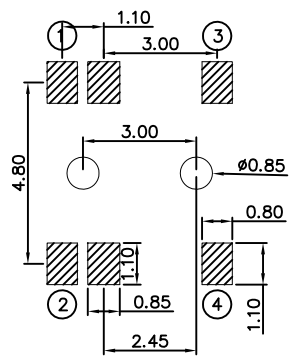
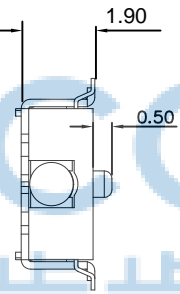
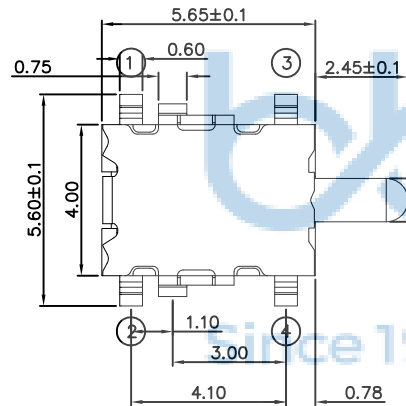
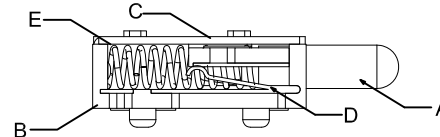
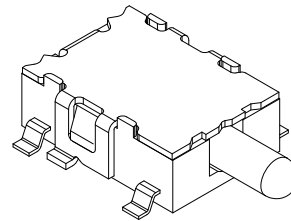
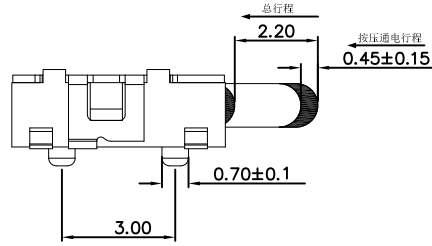


REV.	ECN NO.	CONTENT	DATE	ENGINEER
A0		Initial release	/	SGF

项目	标准
电气性能	额定电流: 0.1A
	额定电压: 12V DC
	接触电阻: 200mΩ max.
	绝缘电阻: 100MΩ min. 100V DC
机械性能	耐压强度: 100V AC (50/60Hz foy 1 minute)
	操作力度: 100±50gf
	工作寿命: 50,000 cycles
环境性能	总行程: 2.20±0.2mm
	接触行程: 0.45±0.15mm
	温度范围: -10°C ~ +60°C.



NO.	零件名称 Part Name	QTY	材料 Material	镀涂 Plating coating	颜色 colour
E	弹 簧	1	SUS 304	/	银白色
D	嵌 片	1	Qsn6.5-01	镀银	银白色镶银
C	盖 子	1	Qsn6.5-01	镀银	银白色
B	底 座	1	LCP	/	黑 色
A	按 钮	1	LCP	/	黑 色

THIS DOCUMENT IS THE SOLE PROPERTY OF BBJconn Technology Co., Ltd. Corporation AND SHOULD NOT BE USED IN WHOLE OR IN PART WITHOUT PRIOR WRITTEN PERMISSION.

PDWG.NO: 0124-1

DR. SGF

APPD. JM\_Zheng

CHKD. LYX

NAME: 轻触开关 长头大鸟龟带柱 L=5.65 贴片 不锈钢弹片 50G 袋装 (LY-K1)

PJ. NO.: TS. 33. 18-19-3A-01

SIZE: A4 DRW NO.:

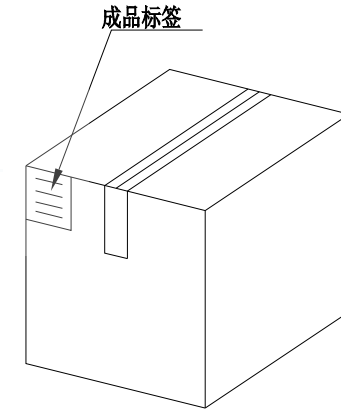
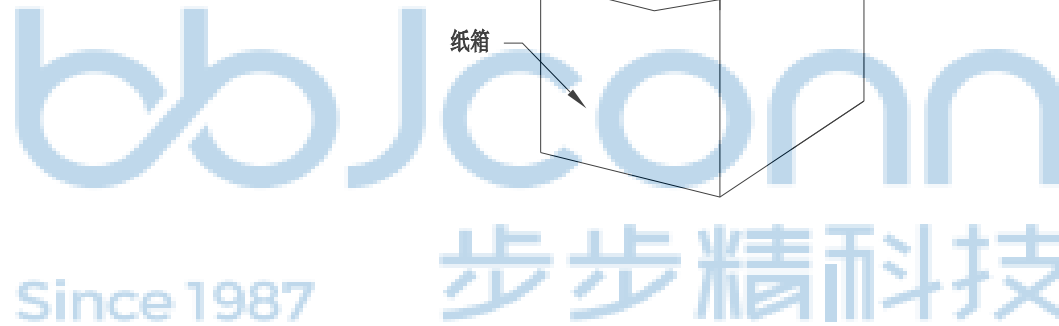
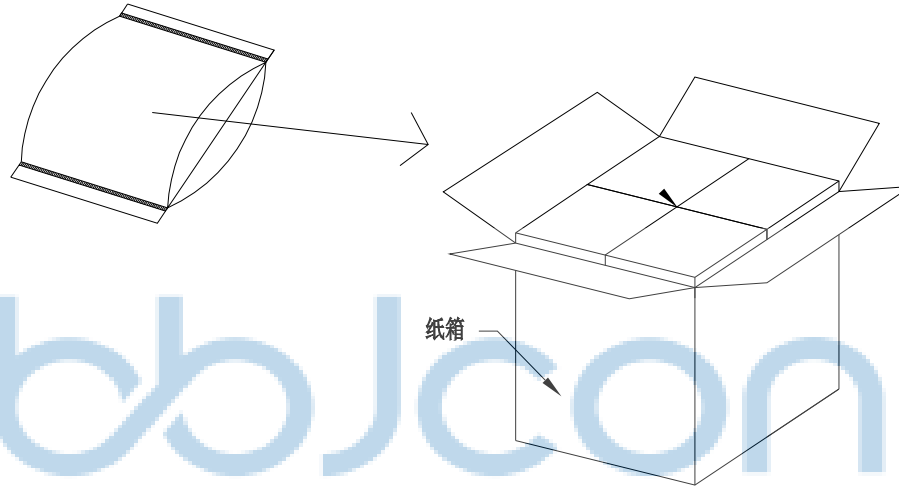
FINISH: SEE NOTES MAT'L.: SEE NOTES

SCALE: N/A REV.: A0 UNIT: mm PAGE: 1/2

**深圳市步步精科技有限公司**

REV.	ECN NO	CONTENT	DATE	ENGINEER
A0		Initial release	/	SGF

PE袋规格:\*\*\*X\*\*\* (以实际出货为准)



1. 包装要求:

- 1.1 每PE袋包装1000PCS;
- 1.2 每1袋放一小纸盒;
- 1.3 每20个小纸盒放一个纸箱, 共计20000PCS
- 1.4 纸箱外贴上标签



THIS DOCUMENT IS THE SOLE PROPERTY OF BBJconn Technology Co.,Ltd. Corporation AND SHOULD NOT BE USED IN WHOLE OR IN PART WITHOUT PRIOR WRITTEN PERMISSION.		深圳市步步精科技有限公司 .X: ±0.38 X': ±3' NAME: .XX: ±0.25 .X": ±2' 轻触开关 长头大乌龟带柱 L=5.65 贴片 不锈钢弹片 50G 袋装(LY-K1) .XXX: ±0.13 .XX": ±1'	
APPD.	JM_Zheng	PJ. NO.: TS. 33. 18-19-3A-01 SIZE: A4 DRW NO.:	
CHKD.	LYX		
PDWG.NO:	0124-1	FINISH: SEE NOTES MAT'L.: SEE NOTES	
DR.	SGF	SCALE: N/A REV.: A0 UNIT: mm PAGE: 2/2	