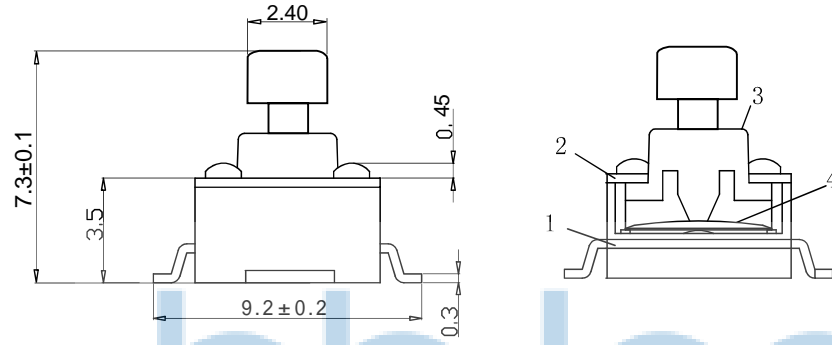
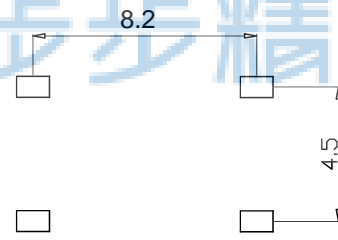
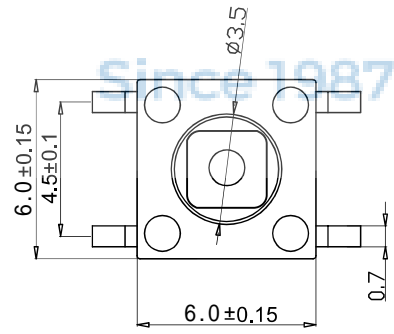


REV.	ECN NO	CONTENT	DATE	ENGINEER
A0		Initial release	/	SGF



Specification of KFC Flip Switch

1. Contact; Mechanical Contact
2. Rating; Dc12v50mA
3. Travel; 0.25+0.1mm
4. Operating Force; 160/260 ± 30gf
5. Contact Resistance; 100mΩ Max
6. Life; 50,000 Cycles Min



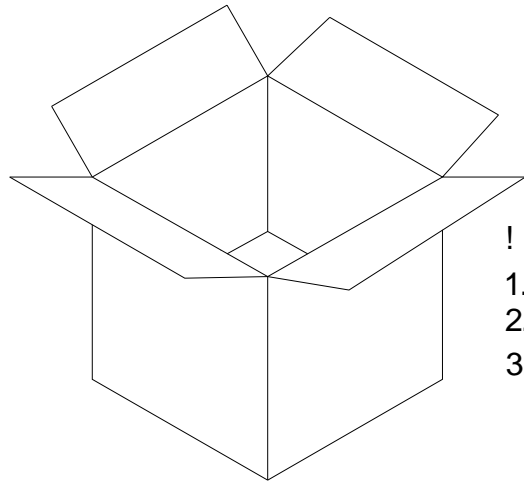
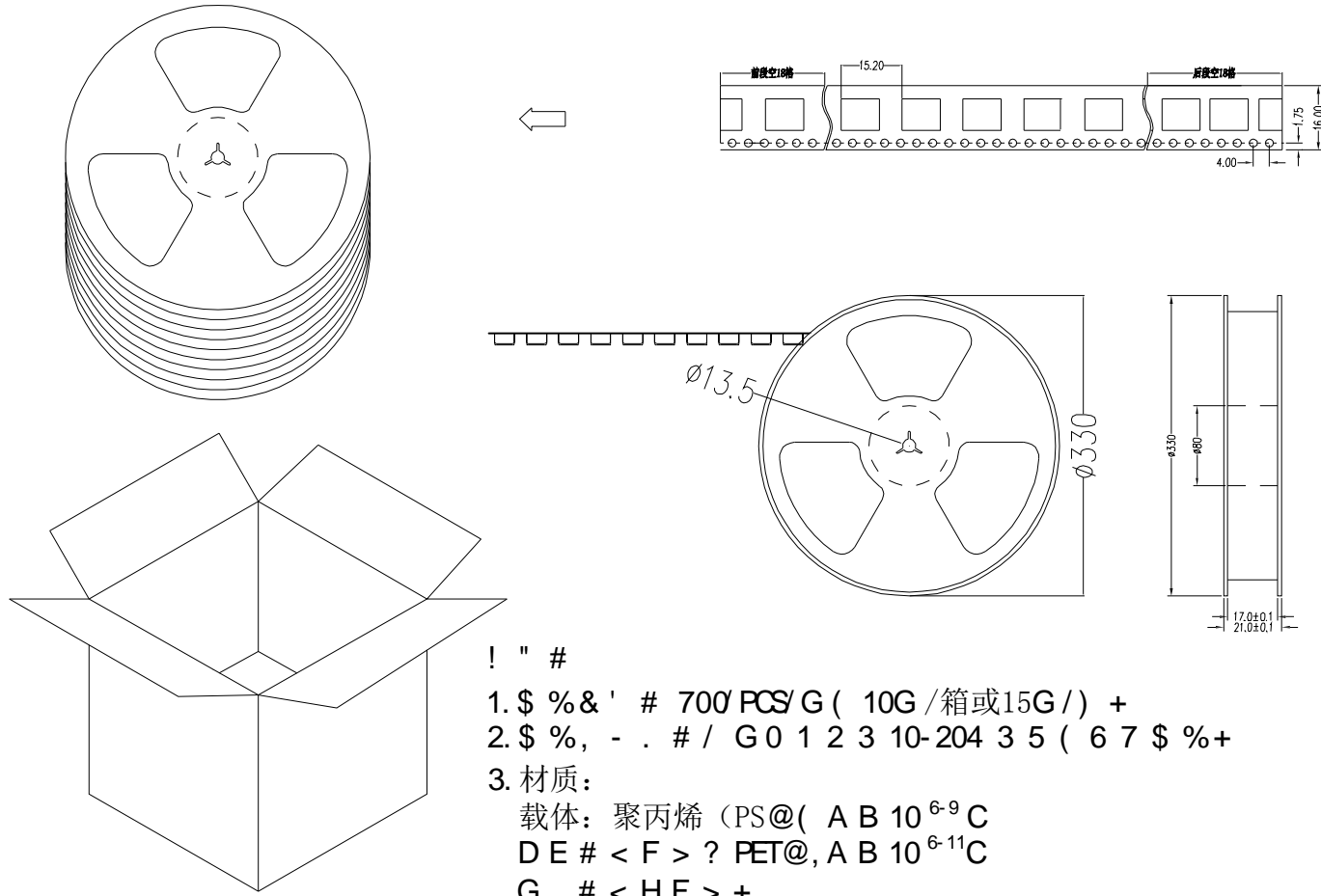
安装尺寸

序号	名称	数量	材料	镀涂/颜色
4	弹片	1	不锈钢	镀银/白色
3	按子	1	PPA	黑色
2	盖板	1	铁皮	镀银/白色
1	底座	1	黄铜与PPA	黑色与镀银



THIS DOCUMENT IS THE SOLE PROPERTY OF BBJconn Technology Co.,Ltd. Corporation AND SHOULD NOT BE USED IN WHOLE OR IN PART WITHOUT PRIOR WRITTEN PERMISSION.		深圳市步步精科技有限公司 .X: ±0.38 .XX: ±0.25 .XXX: ±0.13 X': ±3' X'': ±2' XX': ±1'		NAME: 轻触开关 6x6x7.3 方头 贴片 不锈钢弹片 260G 9.2脚 APPD. JM_Zheng CHKD. LYX DR. SGF		PJ. NO.: TS.02.61-11-31-01 SIZE: A4   DRW NO.: FINISH: SEE NOTES   MAT'L.: SEE NOTES SCALE: N/A   REV.: A0   UNIT: mm   PAGE: 1/2	
PDWG.NO: 0013-1							

REV.	ECN NO	CONTENT	DATE	ENGINEER
A0		Initial release	/	SGF



- ! " #
1. \$ % & ' # 700' PCS/ G ( 10G /箱或15G / ) +
  2. \$ % , - . # / G 0 1 2 3 10-204 3 5 ( 6 7 \$ % +
  3. 材质:  
载体: 聚丙烯 (PS@ ( A B 10<sup>6-9</sup> C  
D E # < F > ? PET@, A B 10<sup>6-11</sup> C  
G # < H F > +
- I ) J 5 # 345\*345\*23MM  
纸箱规格: 345\*345\*35MM



THIS DOCUMENT IS THE SOLE PROPERTY OF BBJconn Technology Co.,Ltd. Corporation AND SHOULD NOT BE USED IN WHOLE OR IN PART WITHOUT PRIOR WRITTEN PERMISSION.		PDWG.NO: 0013-1		DR. SGF	
.X: ±0.38 .XX: ±0.25 .XXX: ±0.13		X': ±3" .X": ±2" .XX': ±1"		NAME: Çá ¥¿ º¹Ø 6x6x7.3 ·½Í. ìùÆ-²»Đà_Öμ-Æ- 260G 9.2½Å	
APPD. JM_Zheng		CHKD. LYX		PJ. NO.: TS.02.61-11-31-01	
FINISH: SEE NOTES		MAT'L.: SEE NOTES		SCALE: N/A	
REV.: A0		UNIT: mm		PAGE: 2/2	