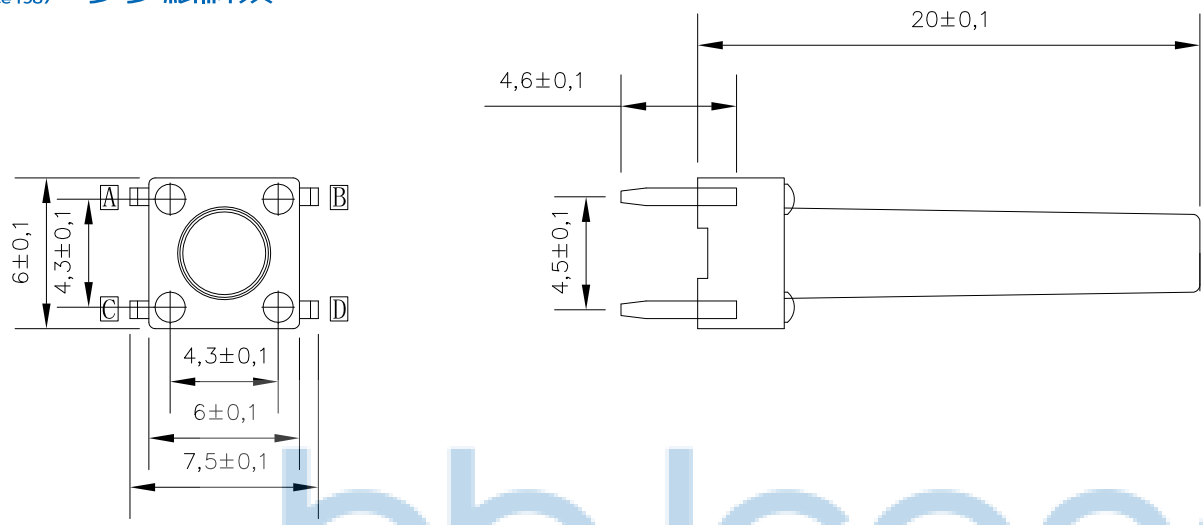
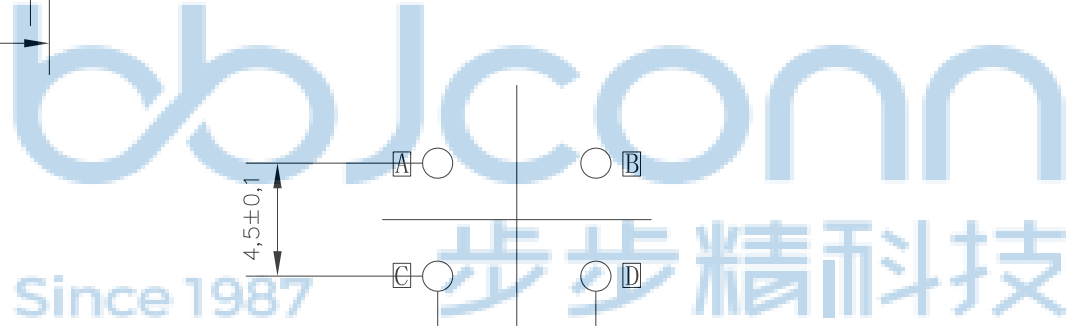


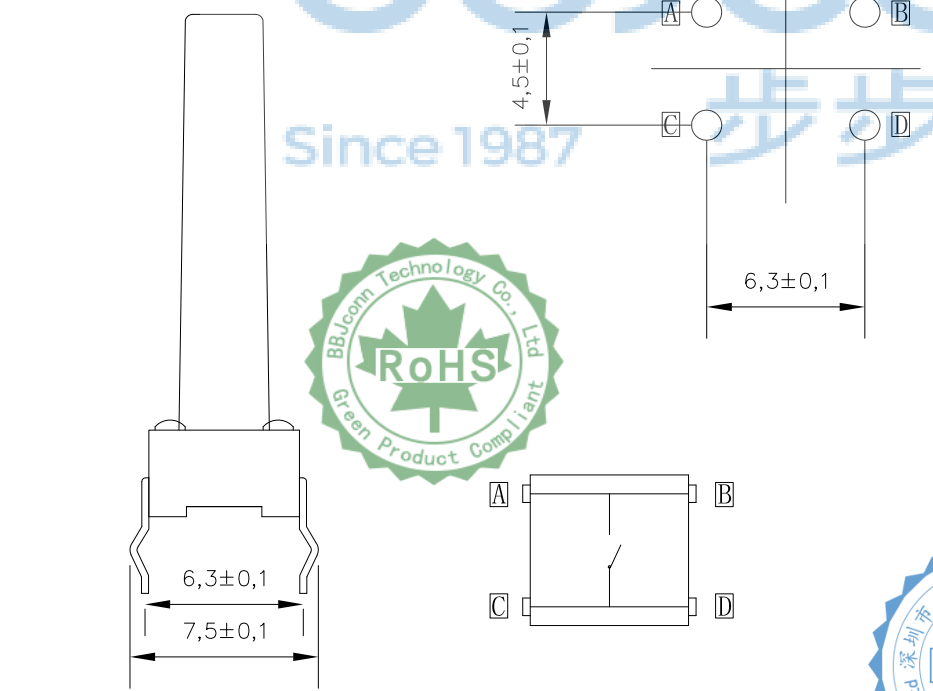
REV.	ECN NO	CONTENT	DATE	ENGINEER
A0		Initial release	/	SGF



主要技术参数			
1	操作行程	0.25±0.1mm	
2	额定电压、电流	DC12V/50mA	
3	接触电阻	50mΩ(max)	
4	绝缘电阻	100MΩ(min)	
5	耐 压	250V AC/1min	
6	动作力	160/260 ± 30gf	
7	使用寿命	100000次	
8	尺 寸	未注公差均按 GB/T1804—2000	



序号	名 称	数量	材 料	镀涂/颜色
1	按 钮	1	PPA	黑色
2	盖 板	1	铁皮/铜皮	镀银/镀锡
3	弹 片	1	不锈钢 磷青铜镀银 磷青铜	镀银/白色
4	底 座	1	PPA	黑色与镀银



H	4.3	4.5	5.0	5.5	6.0	6.5	7.0	7.5	8.0	8.5	9.0	9.5	10.0	10.5	11.0
	11.5	12	12.5	13	13.5	14	14.5	15	15.5	16	16.5	17	18	19	20

THIS DOCUMENT IS THE SOLE PROPERTY OF BBJconn Technology Co.,Ltd. Corporation AND SHOULD NOT BE USED IN WHOLE OR IN PART WITHOUT PRIOR WRITTEN PERMISSION.

PDWG.NO: 0013-1

DR. SGF

APPD. JM_Zheng

CHKD. LYX

NAME: 轻触开关 6x6x20 直插 不锈钢弹片 260G 黑柄袋装

PJ. NO.: TS.01.43-21-31-01

SIZE: A4 DRW NO.:

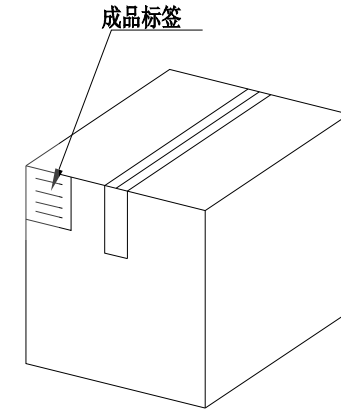
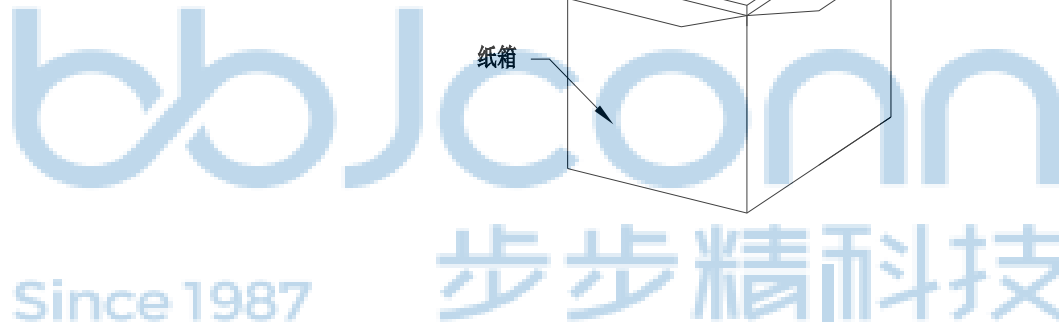
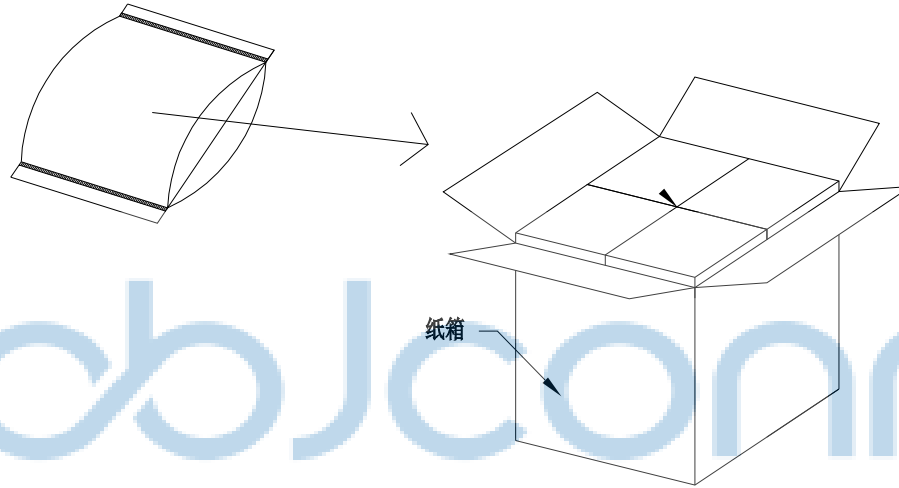
FINISH: SEE NOTES MAT'L.: SEE NOTES

SCALE: N/A REV.: A0 UNIT: mm PAGE: 1/2

深圳市步步精科技有限公司

REV.	ECN NO	CONTENT	DATE	ENGINEER
A0		Initial release	/	SGF

PE袋规格:***X*** (以实际出货为准)



1. 包装要求:

- 1.1 每PE袋包装 1000PCS;
- 1.2 每1袋放一小纸盒;
- 1.3 每20个小纸盒放一个纸箱, 共计20000PCS
- 1.4 纸箱外贴上标签



THIS DOCUMENT IS THE SOLE PROPERTY OF BBJconn Technology Co.,Ltd. Corporation AND SHOULD NOT BE USED IN WHOLE OR IN PART WITHOUT PRIOR WRITTEN PERMISSION.		深圳市步步精科技有限公司 .X: ±0.38 X': ±3' NAME: .XX: ±0.25 X'': ±2' 轻触开关 6x6x20 直插 不锈钢弹片 260G 黑柄袋装 .XXX: ±0.13 XX': ±1'	
APPD.	JM_Zheng	PJ. NO.: TS.01.43-21-31-01 SIZE: A4 DRW NO.:	
CHKD.	LYX	FINISH: SEE NOTES MAT'L.: SEE NOTES	
PDWG.NO:	0013-1	DR.	SGF
		SCALE: N/A	REV.: A0 UNIT: mm PAGE: 2/2