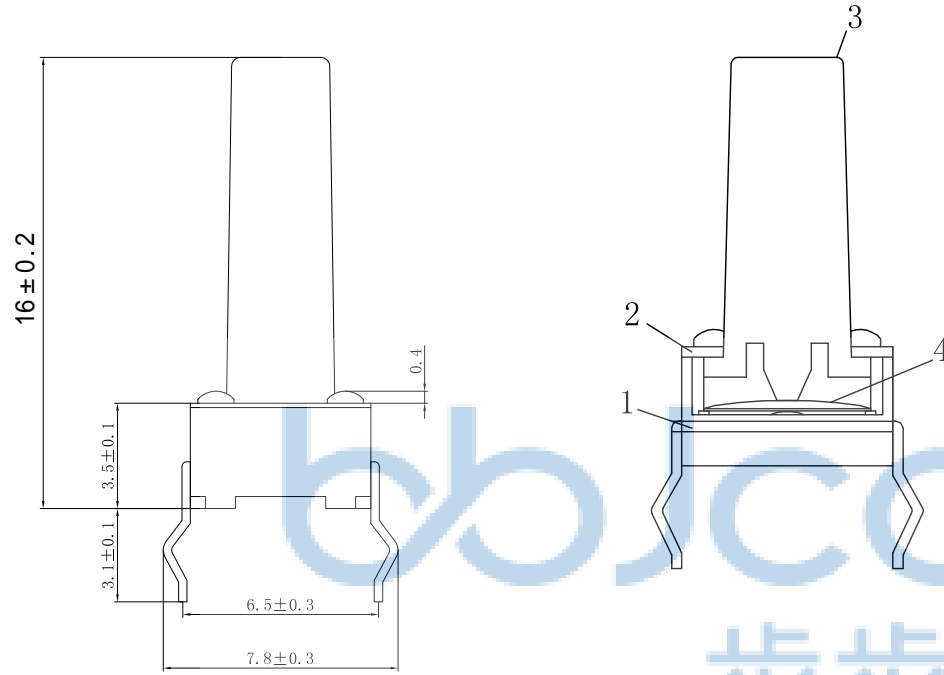
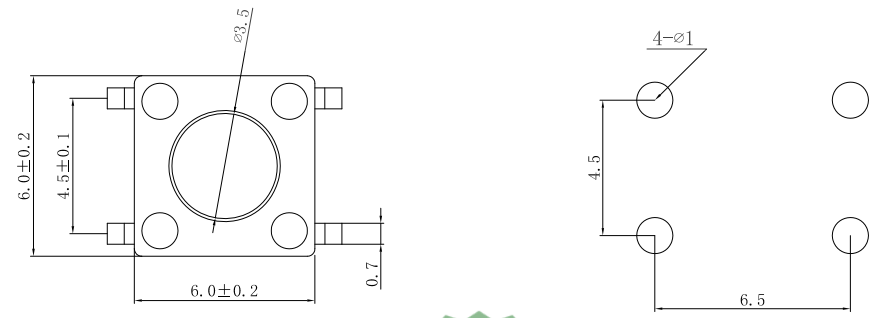


| REV. | ECN NO. | CONTENT | DATE | ENGINEER |
|------|---------|-----------------|------|----------|
| A0 | | Initial release | / | SGF |



| | | | |
|--------|---|---------|----------------------|
| 主要技术参数 | 1 | 操作行程 | 0.25 ± 0.1mm |
| | 2 | 额定电压、电流 | DC12V/50mA |
| | 3 | 接触电阻 | 30mΩ(max) |
| | 4 | 绝缘电阻 | 100MΩ(min) |
| | 5 | 耐 压 | 250V AC/1min |
| | 6 | 动 作 力 | 160/260 ± 30gf |
| | 7 | 使用寿命 | 80000次 |
| | 8 | 尺 寸 | 未注公差均按 GB/T1804-2000 |



| 序号 | 名 称 | 数量 | 材 料 | 镀涂/颜色 |
|----|-----|----|--------|-------|
| 1 | 底 座 | 1 | 黄铜与PPA | 黑色与镀银 |
| 2 | 盖 板 | 1 | 铁皮 | 镀银 |
| 3 | 按 钮 | 1 | PPA | 黑色 |
| 4 | 弹 片 | 1 | 不锈钢 | 镀银/白色 |



THIS DOCUMENT IS THE SOLE PROPERTY OF BBJconn Technology Co.,Ltd. Corporation AND SHOULD NOT BE USED IN WHOLE OR IN PART WITHOUT PRIOR WRITTEN PERMISSION.

PDWG.NO: 0013-1

深圳市步步精科技有限公司

NAME: 轻触开关 6x6x16 直插 不锈钢弹片 260G 袋装

APPD. JM_Zheng

CHKD. LYX

DR. SGF

PJ. NO.: TS.01.35-21-31-01

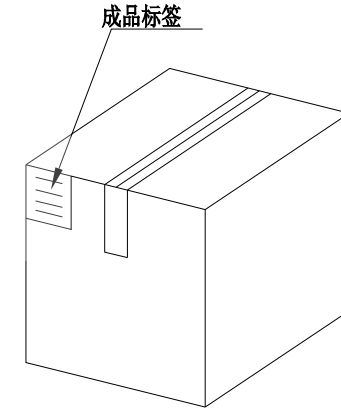
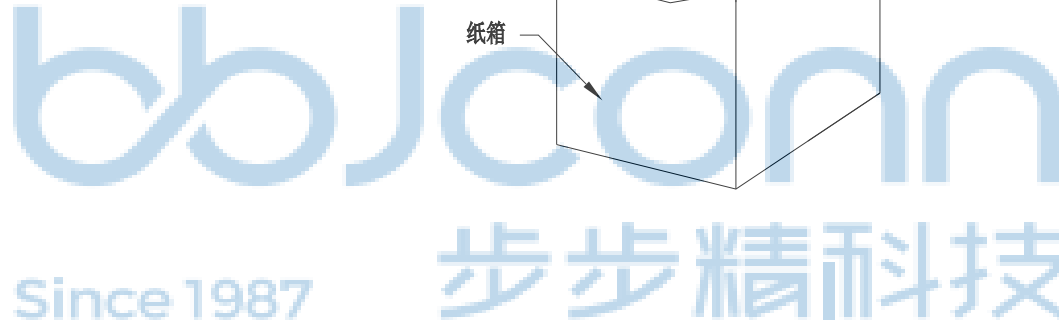
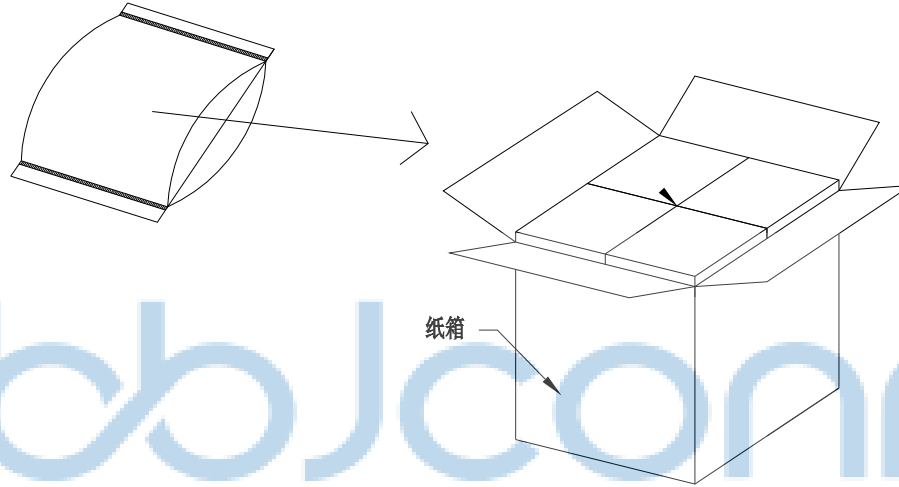
SIZE: A4 DRW NO.:

FINISH: SEE NOTES MAT'L.: SEE NOTES

SCALE: N/A REV.: A0 UNIT: mm PAGE: 1/2

| REV. | ECN NO | CONTENT | DATE | ENGINEER |
|------|--------|-----------------|------|----------|
| A0 | | Initial release | / | SGF |

PE袋规格:***X*** (以实际出货为准)



1. 包装要求:

- 1.1 每PE袋包装 1000 pcs;
- 1.2 每1袋放一小纸盒;
- 1.3 每20个小纸盒放一个纸箱, 共计20000PCS
- 1.4 纸箱外贴上标签



| | | | |
|--|----------|---|-----------------------------|
| THIS DOCUMENT IS THE SOLE PROPERTY OF BBJconn Technology Co.,Ltd. Corporation AND SHOULD NOT BE USED IN WHOLE OR IN PART WITHOUT PRIOR WRITTEN PERMISSION. | | 深圳市步步精科技有限公司 .X: ±0.38 X': ±3' NAME: .XX: ±0.25 X'': ±2' 轻触开关 6x6x16 直插 不锈钢弹片 260G 袋装 .XXX: ±0.13 XX': ±1' | |
| APPD. | JM_Zheng | PJ. NO.: TS.01.35-21-31-01 SIZE: A4 DRW NO.: | |
| CHKD. | LYX | | |
| PDWG.NO: | 0013-1 | DR. | SGF |
| | | FINISH: SEE NOTES | MAT'L.: SEE NOTES |
| | | SCALE: N/A | REV.: A0 UNIT: mm PAGE: 2/2 |