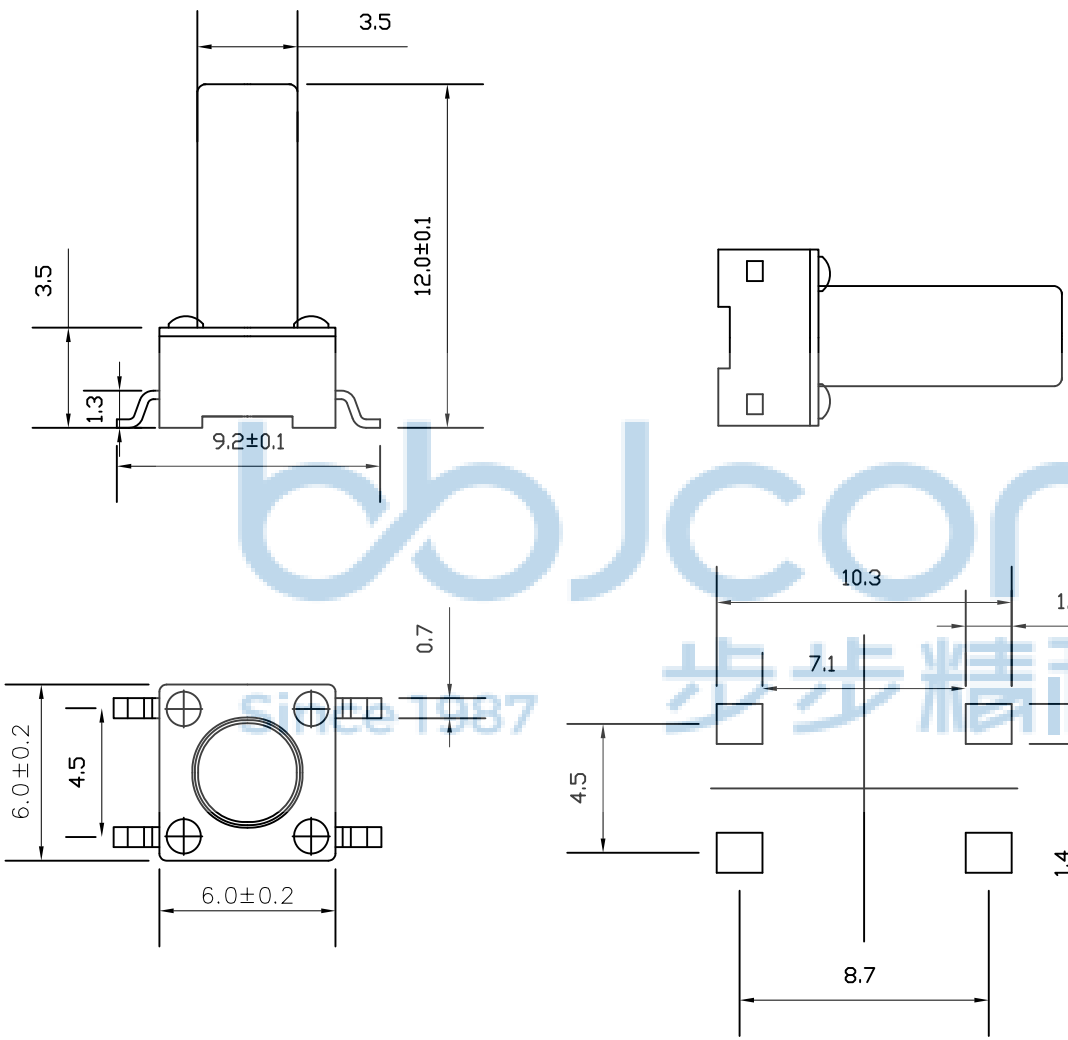


REV.	ECN NO.	CONTENT	DATE	ENGINEER
A0		Initial release	/	SGF



主要技术参数	1	操作行程	0.25±0.1mm
	2	额定电压、电流	DC12V/50mA
	3	接触电阻	30mΩ (max)
	4	绝缘电阻	100MΩ (min)
	5	耐 压	250V AC/1min
	6	动 作 力	160/260±30gf
	7	使用寿命	80000次
	8	尺 寸	未注公差均按 GB/T1804—2000

序号	名 称	数量	材 料	镀涂/颜色
1	按 钮	1	PPA	黑色
2	盖 板	1	铁 SPCC	镀银
3	弹 片	1	不锈钢	镀银/白色
4	底 座	1	黄铜与 PPA	黑色与镀银



THIS DOCUMENT IS THE SOLE PROPERTY OF BBJconn Technology Co.,Ltd. CORPORATION AND SHOULD NOT BE USED IN WHOLE OR IN PART WITHOUT PRIOR WRITTEN PERMISSION.

PDWG.NO: 0013-1

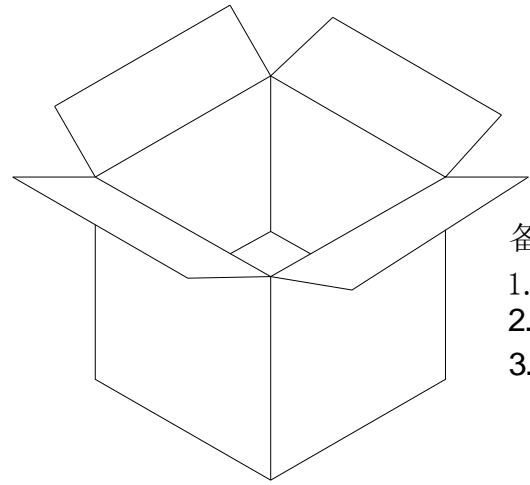
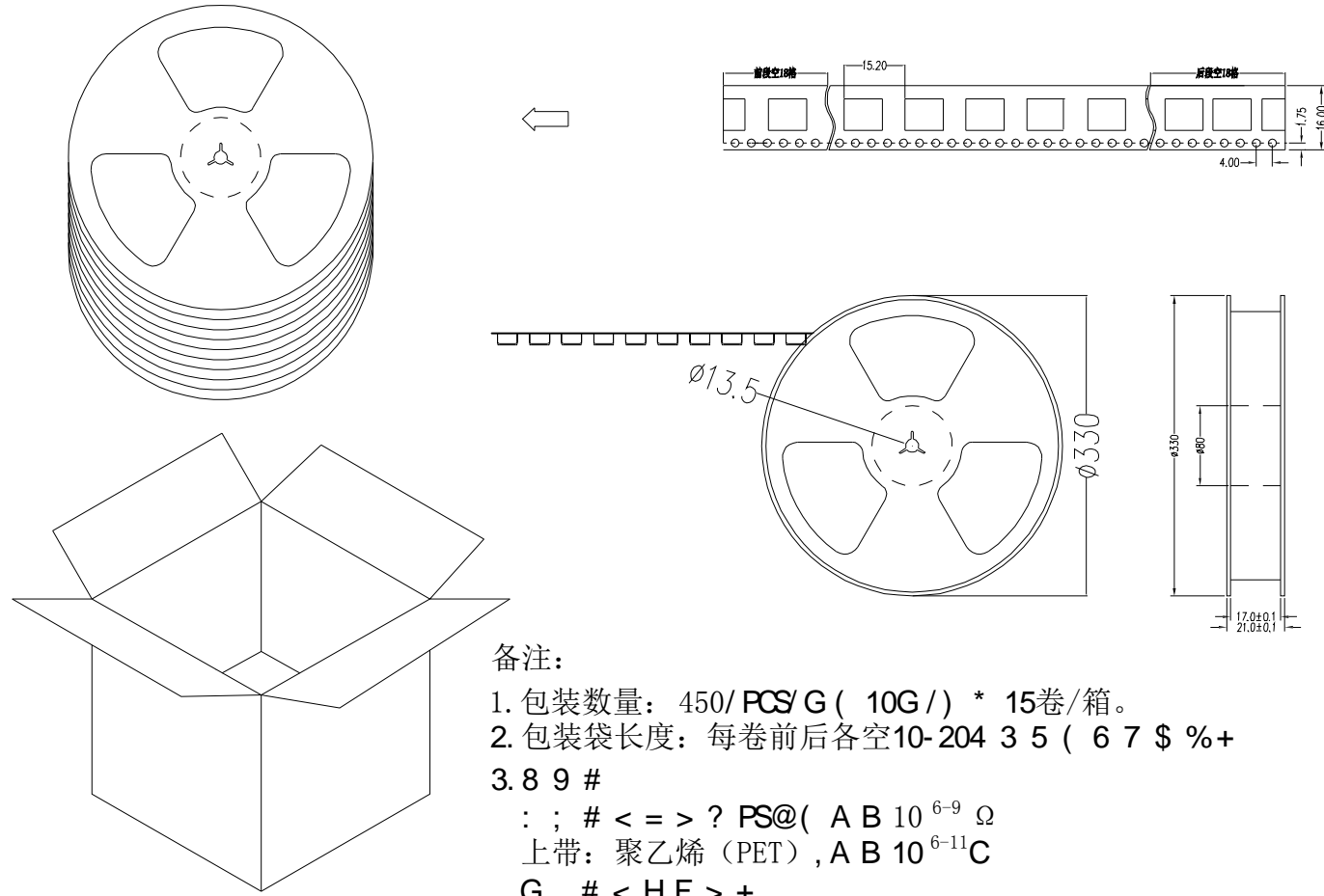
APPD. JM_Zheng
CHKD. LYX
DR. SGF

NAME: 轻触开关 6x6x12 贴片 不锈钢弹片 260G 9.2脚

PJ. NO.: TS.01.27-11-31-05
SIZE: A4 DRW NO.:
FINISH: SEE NOTES MAT'L.: SEE NOTES
SCALE: N/A REV.: A0 UNIT: mm PAGE: 1/2

深圳市步步精科技有限公司

REV.	ECN NO	CONTENT	DATE	ENGINEER
A0		Initial release	/	SGF



备注:
 1. 包装数量: 450/PCS/G (10G /) * 15卷/箱。
 2. 包装袋长度: 每卷前后各空10-204 3 5 (6 7 \$ % +
 3. 8 9 #
 : ; # < = > ? PS@ (A B 10⁶⁻⁹ Ω
 上带: 聚乙烯 (PET) , A B 10⁶⁻¹¹ C
 G # < H F > +
 I) J 5 # 345*345*23MM
 I) J 5 # 345*345*35MM

THIS DOCUMENT IS THE SOLE PROPERTY OF BBJconn Technology Co.,Ltd. Corporation AND SHOULD NOT BE USED IN WHOLE OR IN PART WITHOUT PRIOR WRITTEN PERMISSION.				NAME: 轻触开关 6x6x12 贴片 不锈钢弹片 260G 9.2脚	
.X: ±0.38 .XX: ±0.25 .XXX: ±0.13		X*: ±3" .X*: ±2" .XX*: ±1"		APPD. JM_Zheng CHKD. LYX	
PDWG.NO: 0013-1		DR. SGF		PJ. NO.: TS.01.27-11-31-05 SIZE: A4 DRW NO.: FINISH: SEE NOTES MAT'L.: SEE NOTES SCALE: N/A REV.: A0 UNIT: mm PAGE: 2/2	