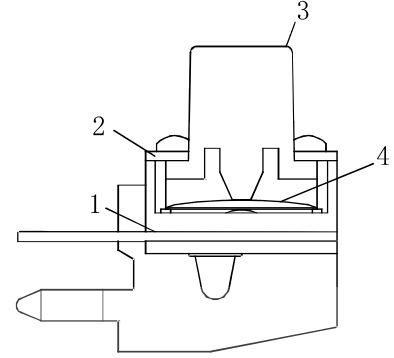
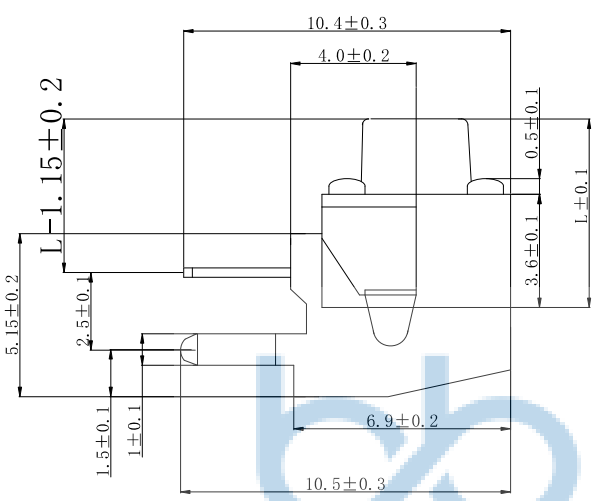
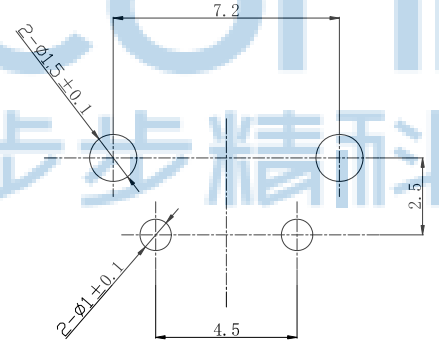
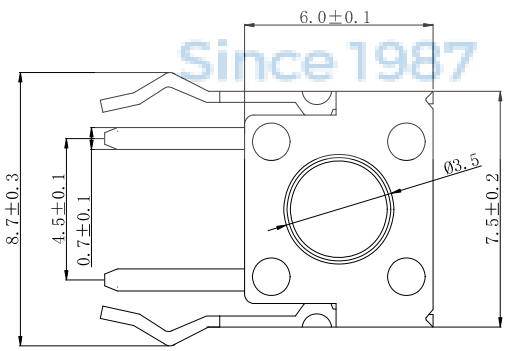


L=4.3~23



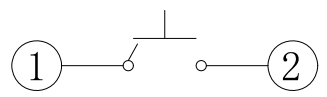
|        |   |         |                      |
|--------|---|---------|----------------------|
| 主要技术参数 | 1 | 操作行程    | 0.25±0.1mm           |
|        | 2 | 额定电压、电流 | DC12V/50mA           |
|        | 3 | 接触电阻    | 30mΩ(max)            |
|        | 4 | 绝缘电阻    | 100MΩ(min)           |
|        | 5 | 耐 压     | 250V AC/1min         |
|        | 6 | 动作力     | 100/160/260±30gf     |
|        | 7 | 使用寿命    | 50000次               |
|        | 8 | 尺 寸     | 未注公差均按 GB/T1804-2000 |



P. C. B. Land Pattern



| 序号 | 名 称 | 数量 | 材 料             | 镀涂/颜色 |
|----|-----|----|-----------------|-------|
| 1  | 底 座 | 1  | 0.3mm黄铜<br>与PPA | 黑色与镀银 |
| 2  | 支 架 | 1  | 铁皮              | 镀铜锡   |
| 3  | 按 钮 | 1  | PPA             | 黑色    |
| 4  | 弹 片 | 1  | 0.05mm<br>不锈钢   | 镀银/白色 |



Circuit Diagram



THIS DOCUMENT IS THE SOLE PROPERTY OF BBJconn Technology Co., Ltd. Corporation AND SHOULD NOT BE USED IN WHOLE OR IN PART WITHOUT PRIOR WRITTEN PERMISSION.

PDWG.NO: 0013-1

DR. SGF

APPD. JM\_Zheng

CHKD. LYX

NAME: 轻触开关 6x6x11 支架 不锈钢弹片 260G

PJ. NO.: TS.01.25-31-31-01

SIZE: A4 | DRW NO.:

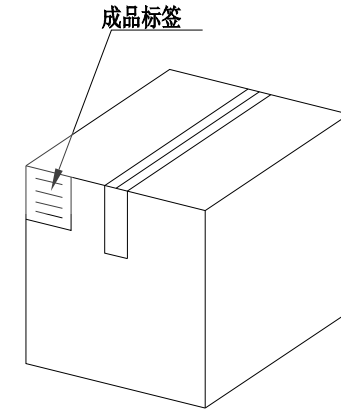
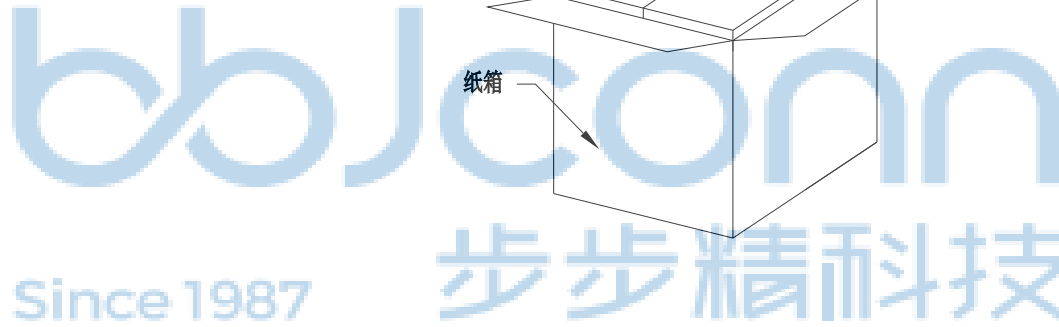
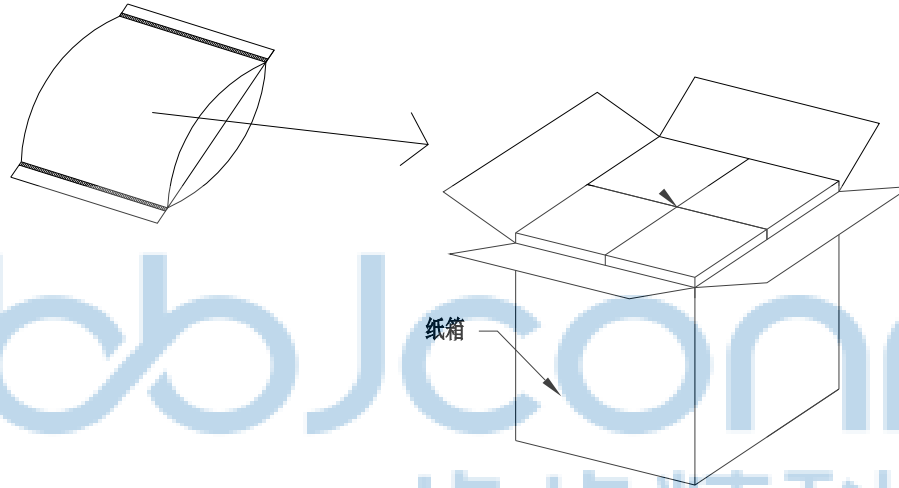
FINISH: SEE NOTES | MAT'L.: SEE NOTES

SCALE: N/A | REV.: A0 | UNIT: mm | PAGE: 1/2

深圳市步步精科技有限公司

| REV. | ECN NO | CONTENT         | DATE | ENGINEER |
|------|--------|-----------------|------|----------|
| A0   |        | Initial release | /    | SGF      |

PE袋规格:\*\*\*X\*\*\* (00Eμ¼E³ö»dîa×¼)



1. 包装要求:

- 1.1 每PE袋包装 1000PCS;
- 1.2 每1袋放一小纸盒;
- 1.3 每20个小纸盒放一个纸箱, 共计20000PCS
- 1.4 纸箱外贴上标签



|                                                                                                                                                            |         |                                                             |                                                                                                                                            |
|------------------------------------------------------------------------------------------------------------------------------------------------------------|---------|-------------------------------------------------------------|--------------------------------------------------------------------------------------------------------------------------------------------|
| THIS DOCUMENT IS THE SOLE PROPERTY OF BBJconn Technology Co.,Ltd. Corporation AND SHOULD NOT BE USED IN WHOLE OR IN PART WITHOUT PRIOR WRITTEN PERMISSION. |         | 深圳市步步精科技有限公司<br>NAME: Çá'¥¿ a¹Ø 6x6x11 Ö§¼Ü ²»Đâ_Öμ¯Æ¬ 260G |                                                                                                                                            |
| PDWG.NO: 0013-1                                                                                                                                            | DR. SGF | APPD. JM_Zheng<br>CHKD. LYX                                 | PJ. NO.: TS.01.25-31-31-01<br>SIZE: A4   DRW NO.:<br>FINISH: SEE NOTES   MAT'L.: SEE NOTES<br>SCALE: N/A   REV.: A0   UNIT: mm   PAGE: 2/2 |