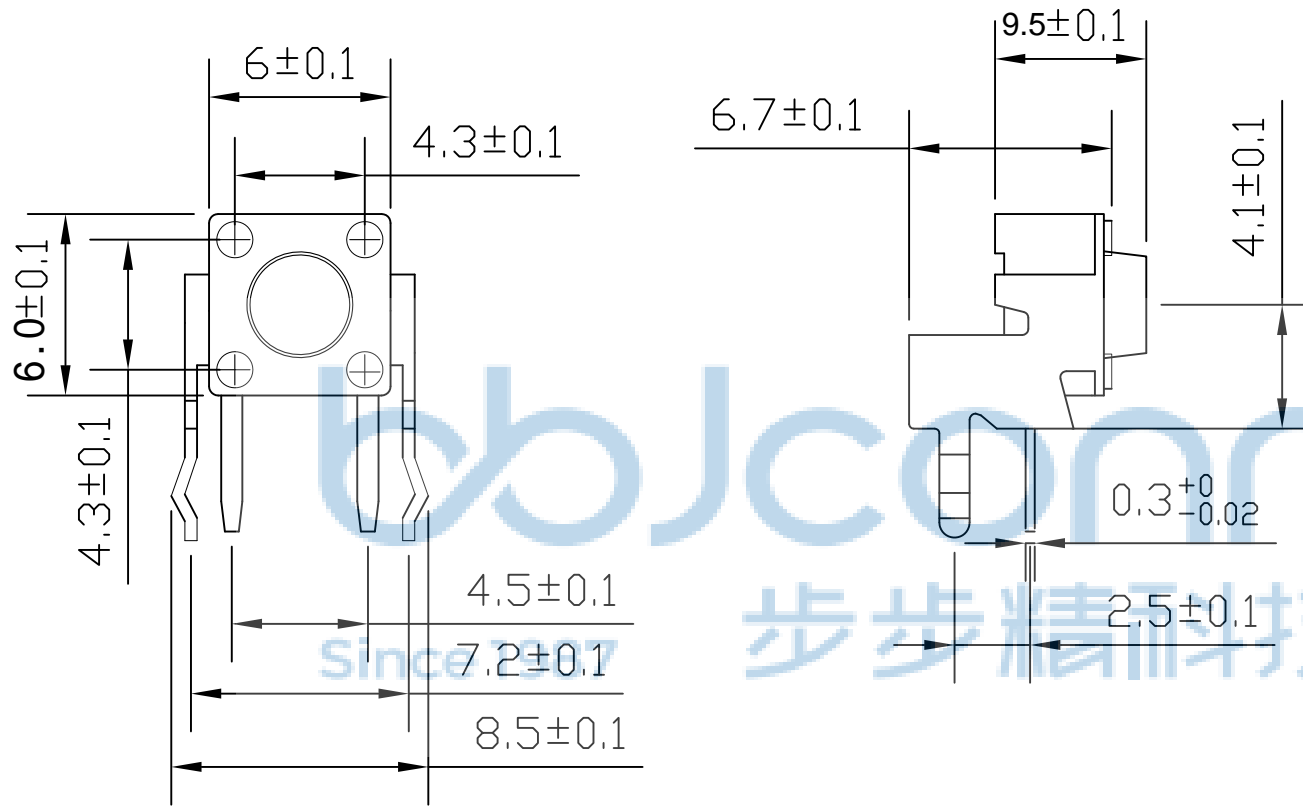


REV.	ECN NO.	CONTENT	DATE	ENGINEER
A0		Initial release	/	SGF



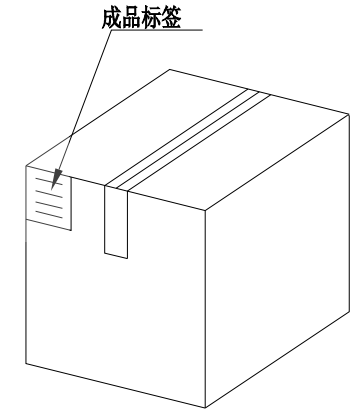
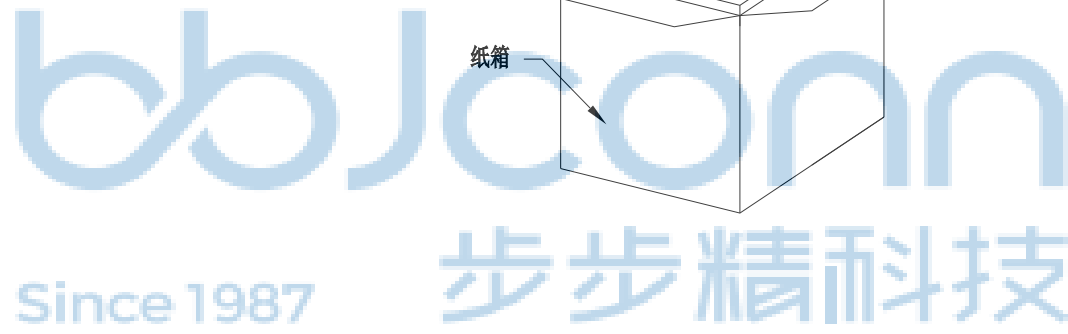
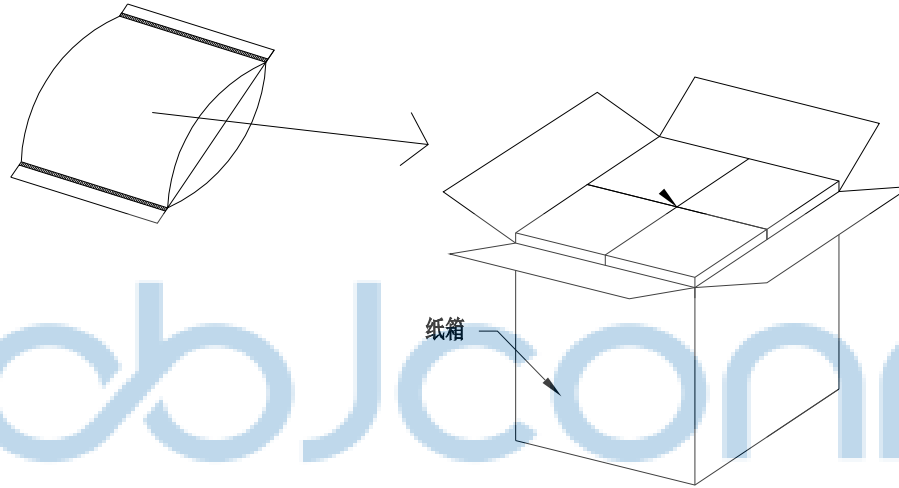
主要技术参数	1	操作行程	0.25±0.1mm
	2	额定电压、电流	DC12V/50mA
	3	接触电阻	50mΩ(max)
	4	绝缘电阻	100MΩ(min)
	5	耐压	250V AC/1min
	6	动作力	160/260±30gf
	7	使用寿命	100000次
	8	尺寸	未注公差均按 GB/T1804-2000



THIS DOCUMENT IS THE SOLE PROPERTY OF BBJconn Technology Co.,Ltd. Corporation AND SHOULD NOT BE USED IN WHOLE OR IN PART WITHOUT PRIOR WRITTEN PERMISSION.		深圳市步步精科技有限公司 .X: ±0.38    .X': ±3' .XX: ±0.25    .X'': ±2' .XXX: ±0.13    .XX': ±1'		NAME: 轻触开关 6x6x9.5 半包支架 不锈钢弹片 260G P.J. NO.: TS.01.22-G1-31-02 SIZE: A4   DRW NO.: FINISH: SEE NOTES   MAT'L.: SEE NOTES SCALE: N/A   REV.: A0   UNIT: mm   PAGE: 1/2	
APPD.	JM_Zheng	CHKD.	LYX	DR.	SGF
PDWG.NO:	0013-1				

REV.	ECN NO	CONTENT	DATE	ENGINEER
A0		Initial release	/	SGF

PE袋规格:\*\*\*X\*\*\* (以实际出货为准)



1. 包装要求:
- 1.1 每PE袋包装1000pcs;
  - 1.2 每1袋放一小纸盒;
  - 1.3 每20个小纸盒放一个纸箱, 共计20000PCS
  - 1.4 纸箱外贴上标签



THIS DOCUMENT IS THE SOLE PROPERTY OF BBJconn Technology Co.,Ltd. Corporation AND SHOULD NOT BE USED IN WHOLE OR IN PART WITHOUT PRIOR WRITTEN PERMISSION.		<b>深圳市步步精科技有限公司</b>	
PDWG.NO: 0013-1	DR. SGF	.X: ±0.38 .XX: ±0.25 .XXX: ±0.13	X': ±3" .X': ±2" .XX': ±1"
APPD. JM_Zheng		NAME: 轻触开关 6x6x9.5 半包支架 不锈钢弹片 260G	
CHKD. LYX		PJ. NO.: TS.01.22-G1-31-02	
		SIZE: A4   DRW NO.:	
		FINISH: SEE NOTES   MAT'L.: SEE NOTES	
		SCALE: N/A   REV.: A0   UNIT: mm   PAGE: 2/2	