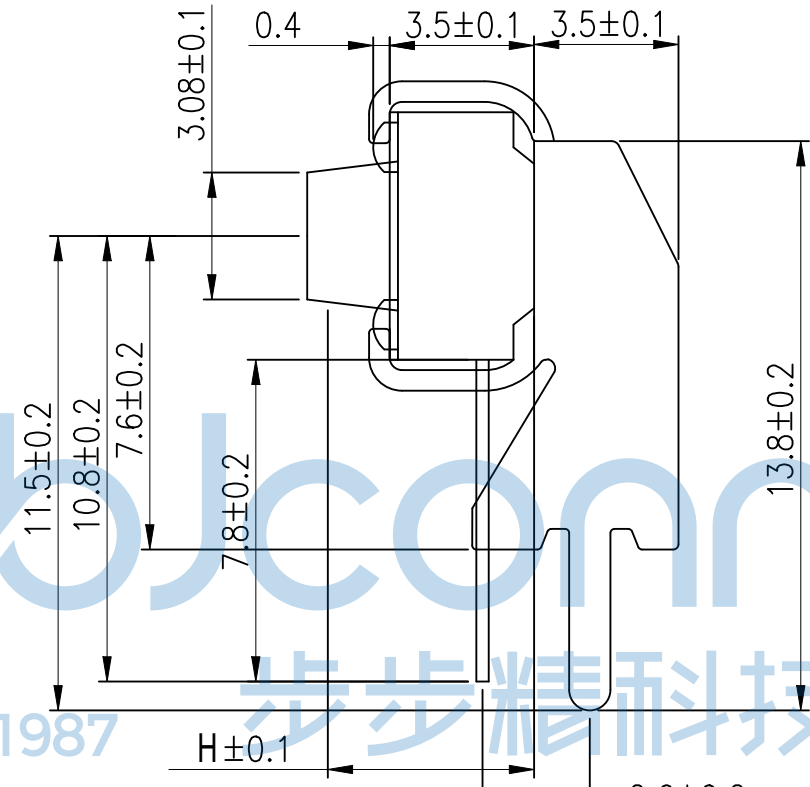
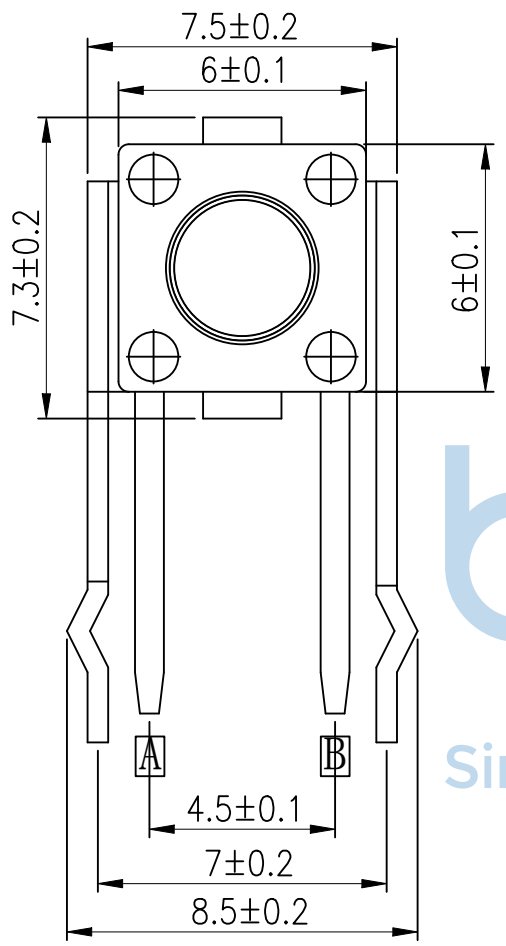
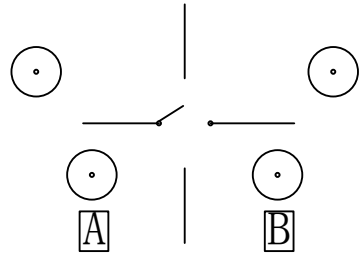
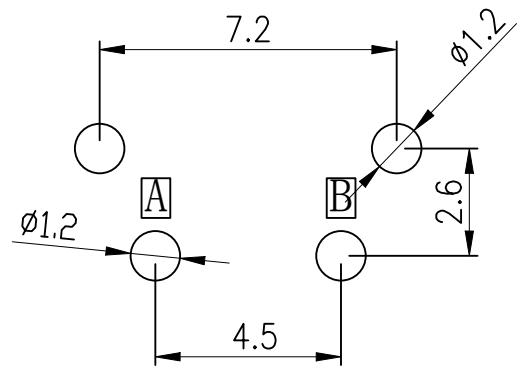


REV.	ECN NO.	CONTENT	DATE	ENGINEER
A0		Initial release	/	TSP



主要技术参数	1	操作行程	0.25±0.1mm
	2	额定电压、电流	DC12V/50mA
	3	接触电阻	50mΩ(max)
	4	绝缘电阻	100MΩ(min)
	5	耐压	250V AC/1min
	6	动作力	160/260(±50gf)
	7	使用寿命	100000次
	8	尺寸	未注公差均按 GB/T1804-2000



序号	名称	数量	材料	镀涂/颜色
1	按钮	1	PPA	黑色
2	盖板	1	铁皮/铜皮	镀银/镀锡
3	弹片	1	不锈钢	镀银/白色
4	底座	1	PPA	黑色与镀银

THIS DOCUMENT IS THE SOLE PROPERTY OF BBJconn Technology Co., Ltd. Corporation AND SHOULD NOT BE USED IN WHOLE OR IN PART WITHOUT PRIOR WRITTEN PERMISSION.

PDWG.NO: 0013-1

深圳市步步精科技有限公司

NAME: 轻触开关 6x6x9.0 飞机架 不锈钢弹片 260GF

PJ. NO.: TS.01.21-B1-31-01

SIZE: A4 DRW NO.:

FINISH: SEE NOTES MAT'L.: SEE NOTES

SCALE: N/A REV.: A0 UNIT: mm PAGE: 1/2

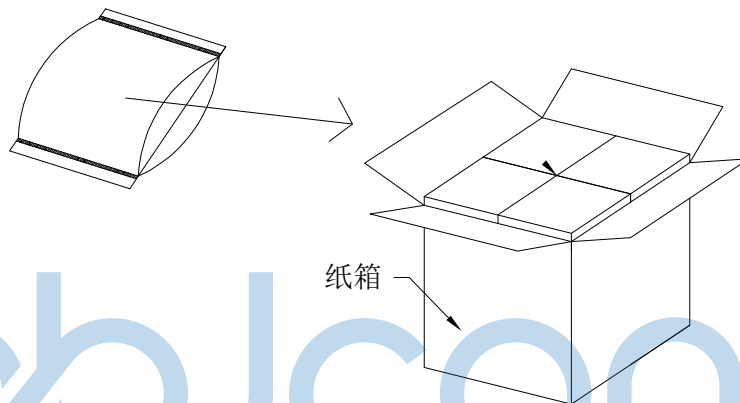
APPD. JM_Zheng

CHKD. LYX

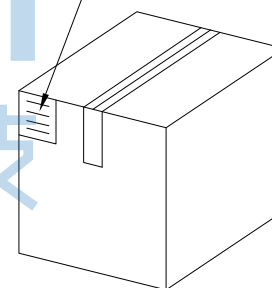
DR. TSP

REV.	ECN NO	CONTENT	DATE	ENGINEER
A0		Initial release	/	TSP

PE袋规格: 260*185



成品标签



1. 包装要求:

- 1.1 每个PE袋包装500pcs;
- 1.2 每1袋放一小纸盒;
- 1.3 每20个小纸盒放一个纸箱, 共计10000pcs;
- 1.4 纸箱外贴上标签



THIS DOCUMENT IS THE SOLE PROPERTY OF BBJconn Technology Co.,Ltd. Corporation AND SHOULD NOT BE USED IN WHOLE OR IN PART WITHOUT PRIOR WRITTEN PERMISSION.		深圳市步步精科技有限公司 .X: ±0.38 .X': ±3" .XX: ±0.25 .X'': ±2" .XXX: ±0.13 .XX': ±1"		NAME: 轻触开关 6x6x9.0 飞机架 不锈钢弹片 260GF	
APPD.	JM_Zheng	PJ. NO.: TS.01.21-B1-31-01 SIZE: A4 DRW NO.:		FINISH: SEE NOTES MAT'L.: SEE NOTES	
CHKD.	LYX	SCALE: N/A		REV.: A0	UNIT: mm
PDWG.NO:	0013-1	DR.	TSP	PAGE: 2/2	