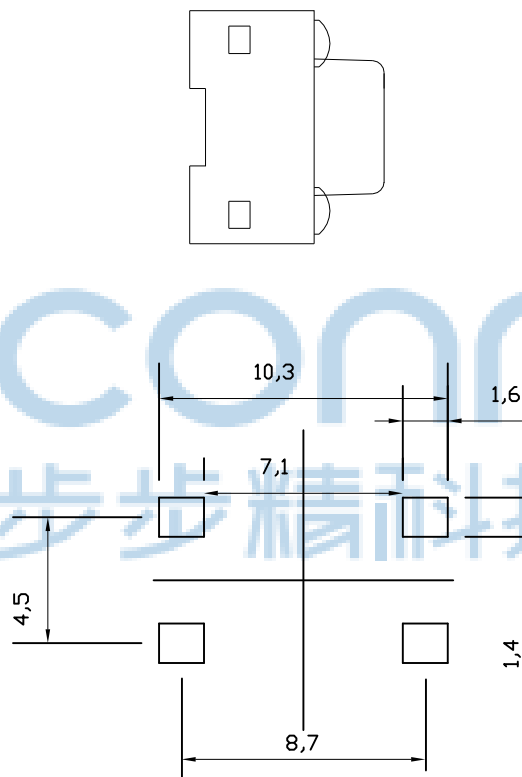
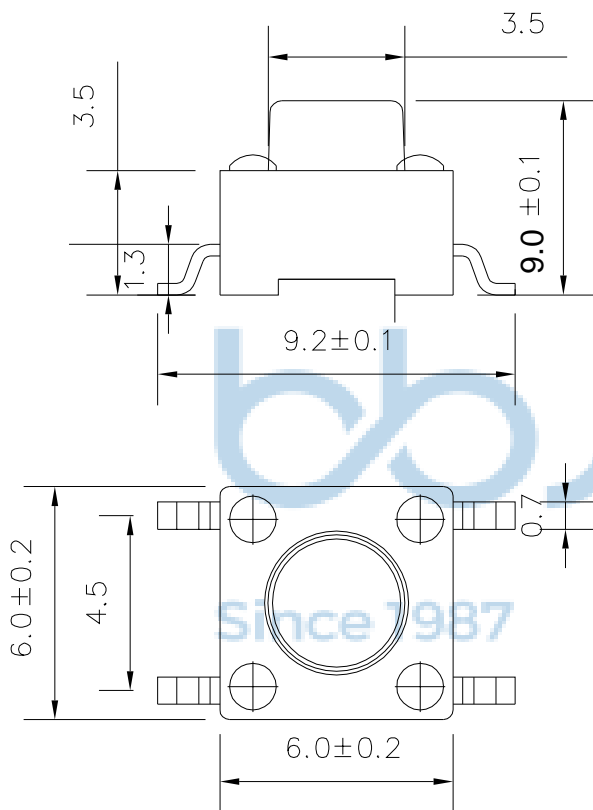


REV.	DESCRIPTION	NAME	DATE
A	NEWS ISSUE		
B	基座的长x宽由6.15x6.15改为6.0x6.0	TSP	2023/2/3



安装尺寸

主要技术参数		
1	操作行程	0.25±0.1mm
2	额定电压、电流	DC12V/50mA
3	接触电阻	30mΩ(max)
4	绝缘电阻	100MΩ(mi n)
5	耐 压	250V AC/1mi n
6	动 作 力	160/260 ± 30gf
7	使用寿命	80000次
8	尺 寸	未注公差均按 GB/T1804-2000

序号	名称	数量	材料	颜色
4	弹片	1	不锈钢 SUS304	镀银/白色
3	接子	1	PPA	黑色
2	盖板	1	铁 SPCC	镀银/白色
1	底座	1	黄铜与 PPA (H65)	黑色与镀银
序号	名称	1	材料	镀涂/颜色



THIS DOCUMENT IS THE SOLE PROPERTY OF BBJconn Technology Co.,Ltd. Corporation AND SHOULD NOT BE USED IN WHOLE OR IN PART WITHOUT PRIOR WRITTEN PERMISSION. PDWG.NO: 0013-1

**深圳市步步精科技有限公司**

NAME: 轻触开关 6x6x9 贴片 不锈钢弹片 260G 9.2脚

APPD. JM\_Zheng

CHKD. LYX

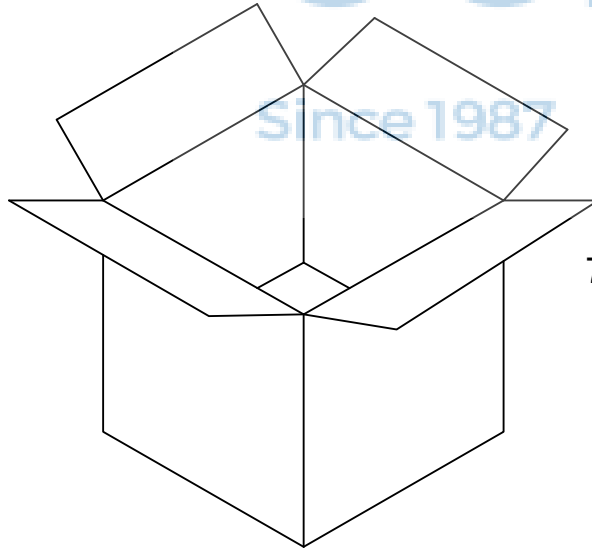
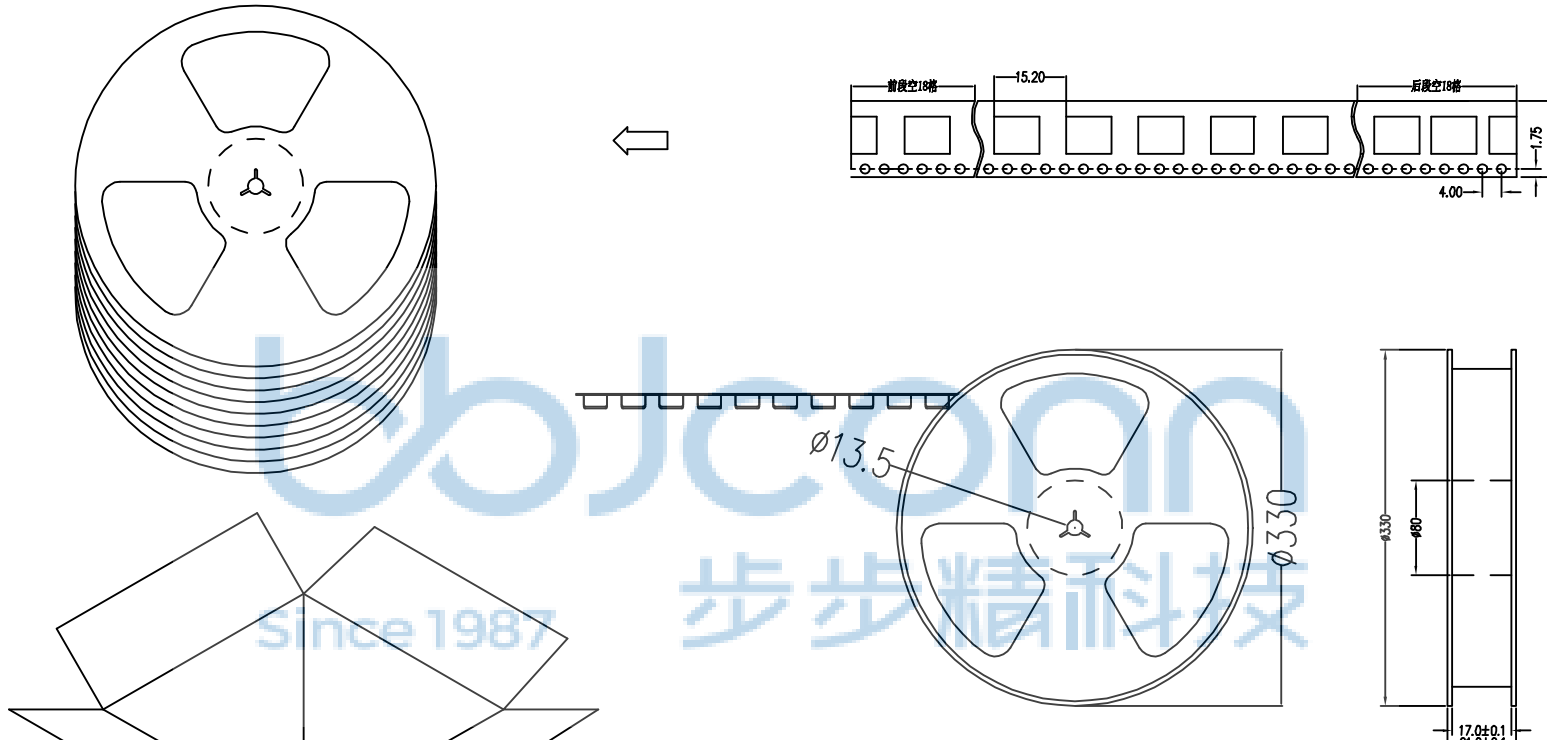
DR. LHC

PJ. NO.: TS.01.21-11-31-03

SIZE: A4 DRW NO.:

FINISH: SEE NOTES MAT'L.: SEE NOTES

SCALE: N/A REV.: A3 UNIT: mm PAGE: 1/1



7# Ö  
 5>ö Gy Ö 3 & 6 § È § 1áF § 1áÄ  
 5>ö>»K- Ö Ö!y § } > 40<sup>a</sup> Z0<sup>a</sup> I È ]L\$ 5>ö Ä  
 €CX Ö  
 E- f Ö6Š I' Ä 3 6 Å ÈLk Ç  
 : V Ö6Š %' Ä 3 ( 7 Å Lk Ç  
 §- Ö6Š9 %' Ä

4è1á?ô I Ö 00  
 4è1á?ô I Ö 00

THIS DOCUMENT IS THE SOLE PROPERTY OF BBJconn Technology Co.,Ltd. Corporation AND SHOULD NOT BE USED IN WHOLE OR IN PART WITHOUT PRIOR WRITTEN PERMISSION.		\$! c 2!•!•2!0 ° 9L€ œ (	
.X: ±0.38 X': ±3' .XX: ±0.25 .X': ±2' .XXX: ±0.13 .XX': ±1'		NAME: Çá ¥¿ <sup>a1</sup> Ø 6x6x9 ìùÆ- 2»Đâ, Öμ-Æ- 260G 9.2½Ä	
APPD. JM_Zheng	PJ. NO.: TS.01.21-11-31-03		
CHKD. LYX	SIZE: A4 DRW NO.:		
DR. LHC	FINISH: SEE NOTES		MAT'L.: SEE NOTES
PDWG.NO: 0013-1	SCALE: N/A	REV.: A3	UNIT: mm PAGE: 1/1