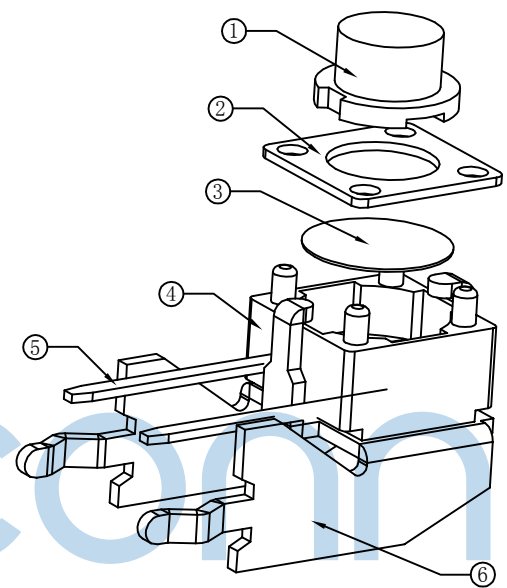
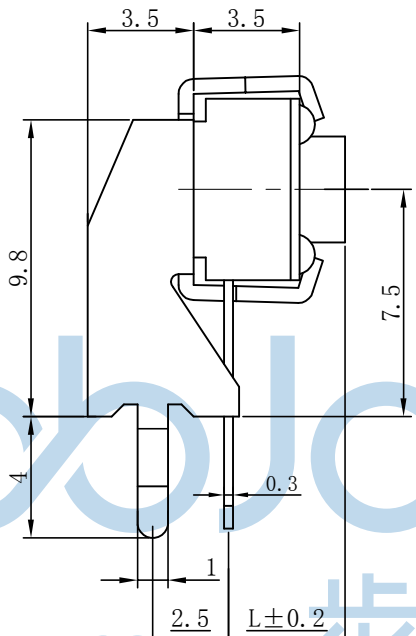
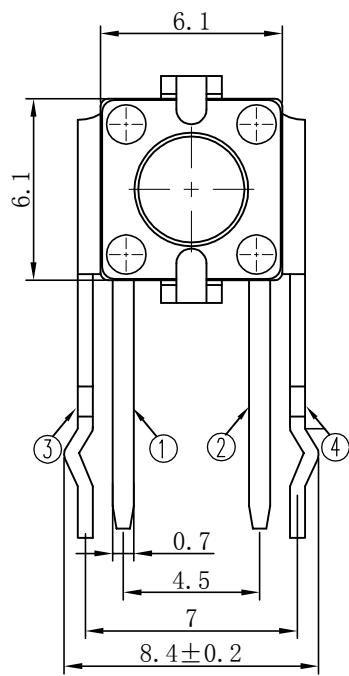
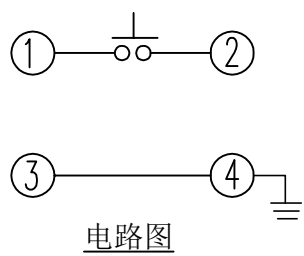
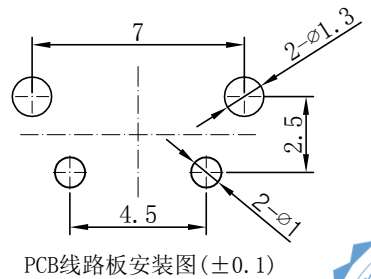
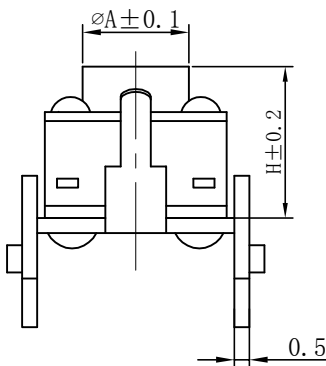


REV.	ECN NO.	CONTENT	DATE	ENGINEER
A0		Initial Release	/	LHC

- 技术参数:
1. 做用温度: -25~+85°C;
 2. 额定负荷: DC 12V 50mA;
 3. 接触电阻: ≤50mΩ;
 4. 绝缘电阻: ≥100MΩ;
 5. 耐压: AC250V(50Hz)/min;
 6. 动作力: 160 /260GF ±50g;
 7. 使用寿命: 100000次;



高度L (mm)	帽头H (mm)	直径A (mm)
13.85	15.0	∅3.0
11.85	13.0	∅3.0
8.35	9.5	∅3.1
7.85	9.0	∅3.2
7.35	8.5	∅3.2
6.35	7.5	∅3.3
5.35	6.5	∅3.3
4.85	6.0	∅3.3
3.85	5.0	∅3.5
3.15	4.3	∅3.5



序号	名称	数量	材料	镀层/颜色	备注
6	机架	1	冷轧钢带	Cu/Sn	
5	嵌件	1	H62Y 黄铜 T=0.30	Ag	
4	底座	1	PPA	黑	
3	簧片	1	不锈钢/复合银	Ag	
2	盖板	1	冷轧钢带	Cu/Sn	
1	按钮	1	PPA	黑	



THIS DOCUMENT IS THE SOLE PROPERTY OF BBJconn Technology Co.,Ltd. Corporation AND SHOULD NOT BE USED IN WHOLE OR IN PART WITHOUT PRIOR WRITTEN PERMISSION.

PDWG.NO: 0013-1

DR. LHC

APPD. JM_Zheng

CHKD. LYX

APPROVED

深圳市步步精科技有限公司

NAME: 轻触开关 6x6x8.5 飞机架 不锈钢弹片 260GF

PJ. NO.: TS.01.20-B1-31-01

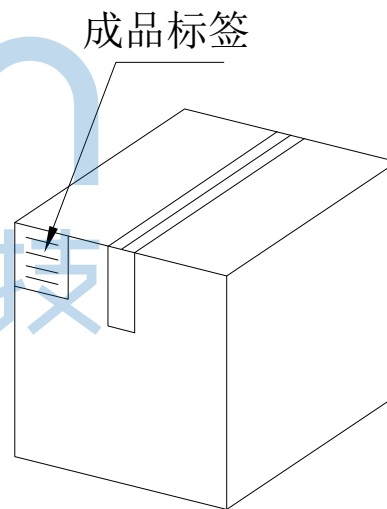
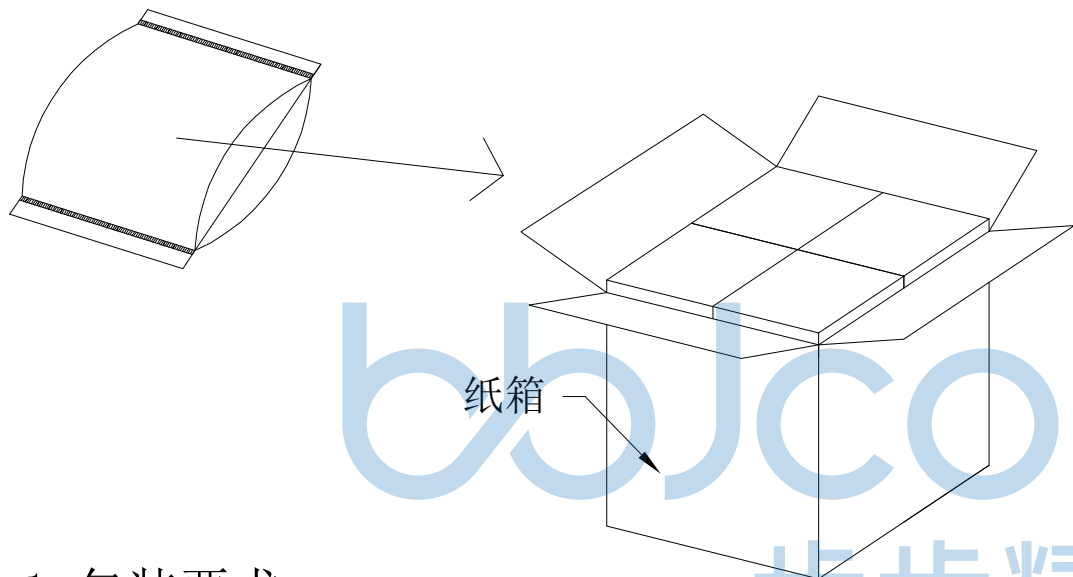
SIZE: A4 | DRW NO.:

FINISH: SEE NOTES | MAT'L.: SEE NOTES

SCALE: N/A | REV.: A0 | UNIT: mm | PAGE: 1/2

REV.	ECN NO	CONTENT	DATE	ENGINEER
A0		Initial Release	/	LHC

PE袋规格: 260*185



1. 包装要求:

- 1.1 每个PE袋包装 500 pcs ;
- 1.2 每1袋放一小纸盒;
- 1.3 每20个小纸盒放一个纸箱, 共计 10000 pcs ;
- 1.4 纸箱外贴上标签



THIS DOCUMENT IS THE SOLE PROPERTY OF BBJconn Technology Co.,Ltd. Corporation AND SHOULD NOT BE USED IN WHOLE OR IN PART WITHOUT PRIOR WRITTEN PERMISSION.		深圳市步步精科技有限公司 .X: ±0.38 .X': ±3" .XX: ±0.25 .X": ±2" .XXX: ±0.13 .XX': ±1"		NAME: 轻触开关 6x6x8.5 飞机架 不锈钢弹片 260GF	
APPD.	JM_Zheng	PJ. NO.: TS.01.20-B1-31-01		SIZE: A4 DRW NO.:	
CHKD.	LYX	FINISH: SEE NOTES		MAT'L.: SEE NOTES	
PDWG.NO:	0013-1	DR.	LHC	SCALE: N/A	REV.: A0
				UNIT: mm	PAGE: 2/2