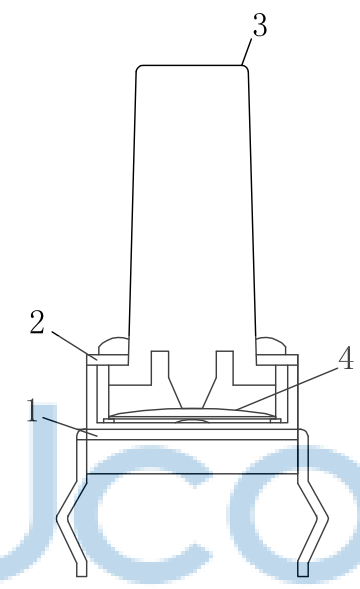
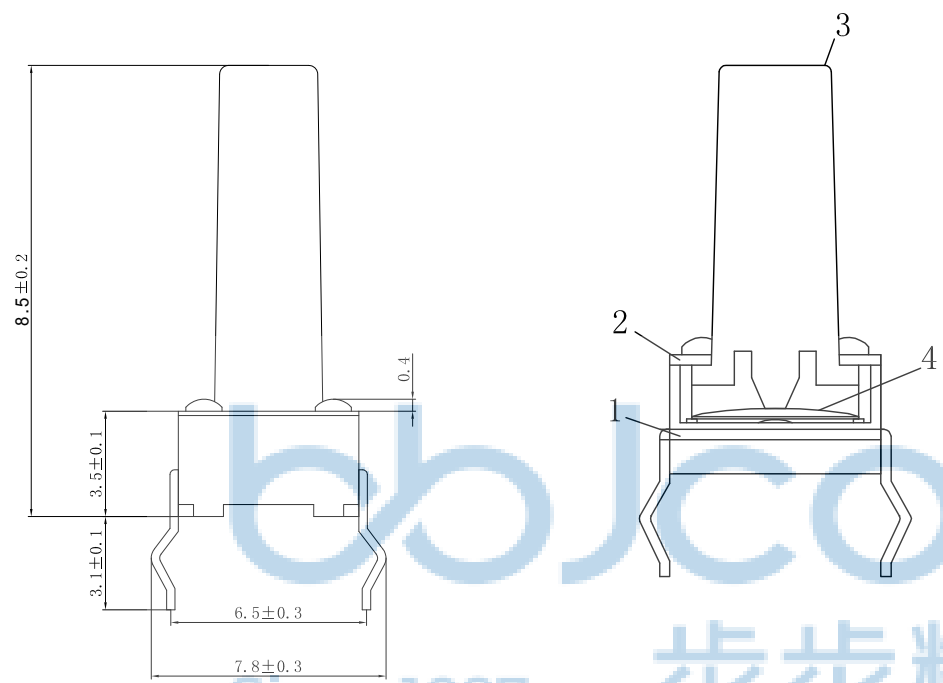
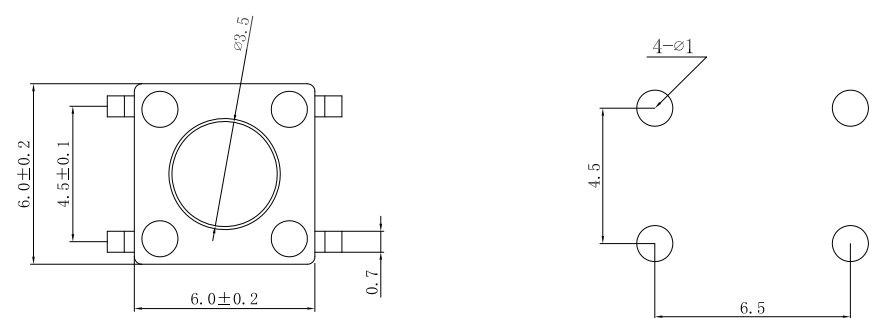


| REV. | ECN NO. | CONTENT         | DATE | ENGINEER |
|------|---------|-----------------|------|----------|
| AO   |         | Initial release | /    | SGF      |



|        |   |         |                      |
|--------|---|---------|----------------------|
| 主要技术参数 | 1 | 操作行程    | 0.25±0.1mm           |
|        | 2 | 额定电压、电流 | DC12V/50mA           |
|        | 3 | 接触电阻    | 30mΩ(max)            |
|        | 4 | 绝缘电阻    | 100MΩ(min)           |
|        | 5 | 耐 压     | 250V AC/1min         |
|        | 6 | 动 作 力   | 160/260±30gf         |
|        | 7 | 使用寿命    | 80000次               |
|        | 8 | 尺 寸     | 未注公差均按 GB/T1804-2000 |

| 序号 | 名 称 | 数量 | 材 料    | 镀涂/颜色 |
|----|-----|----|--------|-------|
| 1  | 底 座 | 1  | 黄铜与PPA | 黑色与镀银 |
| 2  | 盖 板 | 1  | 铁皮     | 镀银    |
| 3  | 按 钮 | 1  | PPA    | 黑色    |
| 4  | 弹 片 | 1  | 不锈钢    | 镀银/白色 |



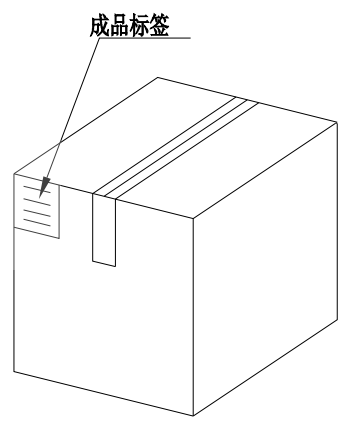
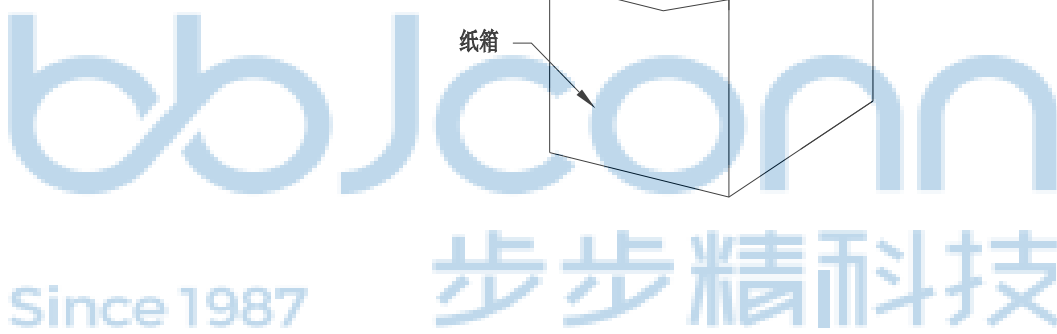
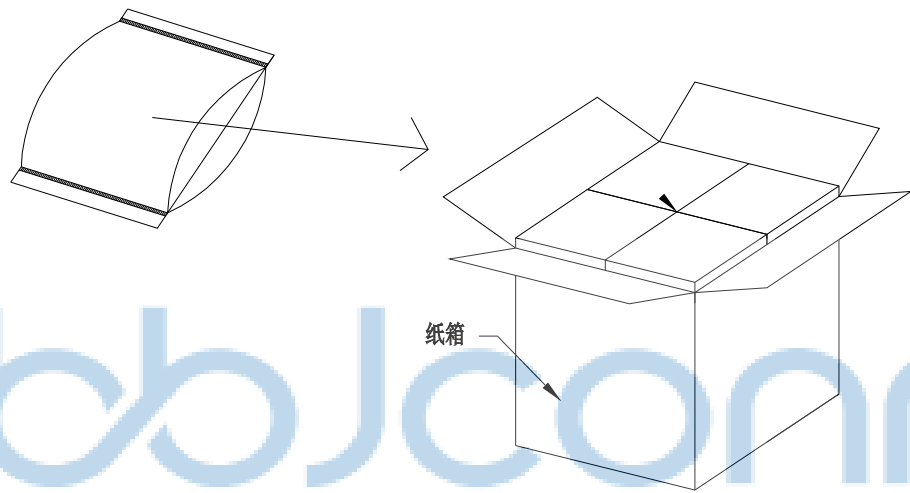
THIS DOCUMENT IS THE SOLE PROPERTY OF BBJconn Technology Co.,Ltd. CORPORATION AND SHOULD NOT BE USED IN WHOLE OR IN PART WITHOUT PRIOR WRITTEN PERMISSION.  
PDWG.NO: 0013-1

**深圳市步步精科技有限公司**

NAME: 轻触开关 6x6x8.5 直插 不锈钢弹片 260G
 APPD. JM\_Zheng  
 PJ. NO.: TS.01.20-21-31-01  
 CHKD. LYX  
 SIZE: A4 DRW NO.:  
 DR. SGF  
 FINISH: SEE NOTES MAT'L.: SEE NOTES  
 SCALE: N/A REV.: A0 UNIT: mm PAGE: 1/2

| REV. | ECN NO | CONTENT         | DATE | ENGINEER |
|------|--------|-----------------|------|----------|
| A0   |        | Initial release | /    | SGF      |

PE袋规格:\*\*\*X\*\*\* (以实际出货为准)



1. 包装要求:

- 1.1 每PE袋包装 1000 pcs;
- 1.2 每1袋放一小纸盒;
- 1.3 每20个小纸盒放一个纸箱, 共计20000PCS
- 1.4 纸箱外贴上标签



|  |          |  |                             |
|--|----------|--|-----------------------------|
| THIS DOCUMENT IS THE SOLE PROPERTY OF BBJconn Technology Co.,Ltd. Corporation AND SHOULD NOT BE USED IN WHOLE OR IN PART WITHOUT PRIOR WRITTEN PERMISSION. |          | 深圳市步步精科技有限公司<br>.X: ±0.38 X': ±3' NAME:<br>.XX: ±0.25 X'': ±2' 轻触开关 6x6x8.5 直插 不锈钢弹片 260G<br>.XXX: ±0.13 .XX': ±1' |                             |
| APPD.  | JM_Zheng | PJ. NO.: TS.01.20-21-31-01<br>SIZE: A4 DRW NO.:  |                             |
| CHKD.  | LYX      |  |                             |
| PDWG.NO:   | 0013-1   | DR.  | SGF                         |
|  |          | FINISH: SEE NOTES  | MAT'L.: SEE NOTES           |
|  |          | SCALE: N/A   | REV.: A0 UNIT: mm PAGE: 2/2 |