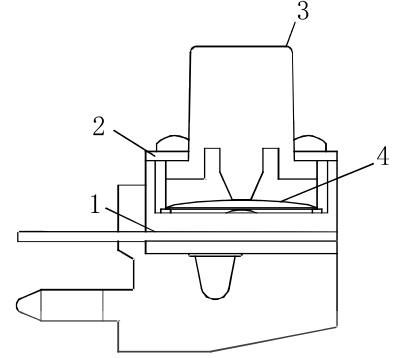
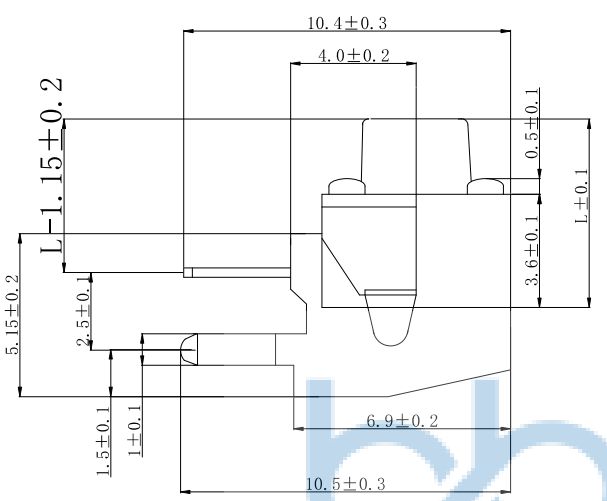
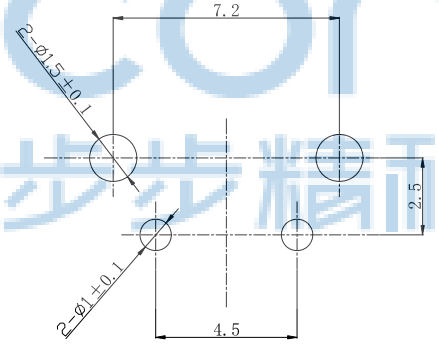
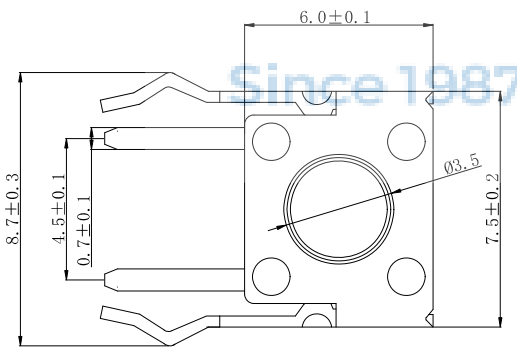


REV.	ECN NO	CONTENT	DATE	ENGINEER
A0		Initial release	/	SGF

L=4.3~23



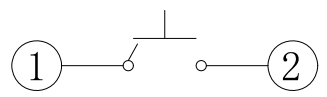
主要技术参数	1	操作行程	0.25±0.1mm
	2	额定电压、电流	DC12V/50mA
	3	接触电阻	30mΩ(max)
	4	绝缘电阻	100MΩ(min)
	5	耐 压	250V AC/1min
	6	动作力	100/160/260±30gf
	7	使用寿命	50000次
	8	尺 寸	未注公差均按 GB/T1804-2000



P. C. B. Land Pattern



序号	名 称	数量	材 料	镀涂/颜色
1	底 座	1	0.3mm黄铜与PPA	黑色与镀银
2	支 架	1	铁皮	镀铜锡
3	按 钮	1	PPA	白色
4	弹 片	1	0.05mm 不锈钢	镀银/白色



Circuit Diagram



THIS DOCUMENT IS THE SOLE PROPERTY OF BBJconn Technology Co.,Ltd. Corporation AND SHOULD NOT BE USED IN WHOLE OR IN PART WITHOUT PRIOR WRITTEN PERMISSION.

PDWG.NO: 0013-1

APPD. JM\_Zheng  
CHKD. LYX  
DR. SGF

NAME: 轻触开关 6x6x7 支架 不锈钢弹片 白柄 260G

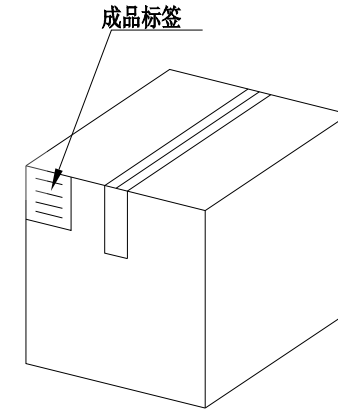
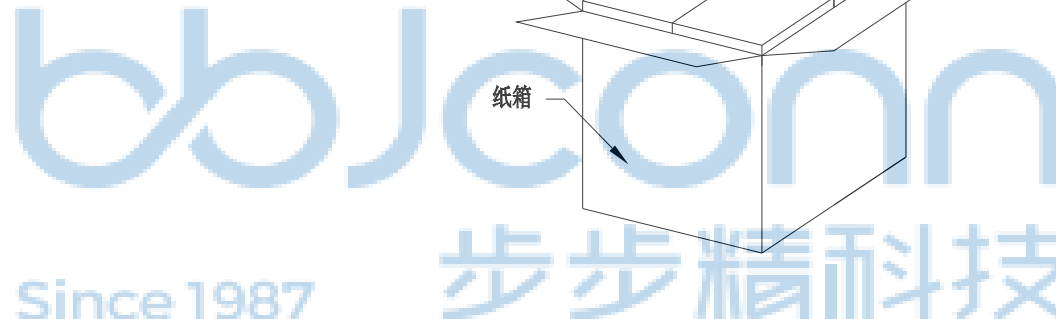
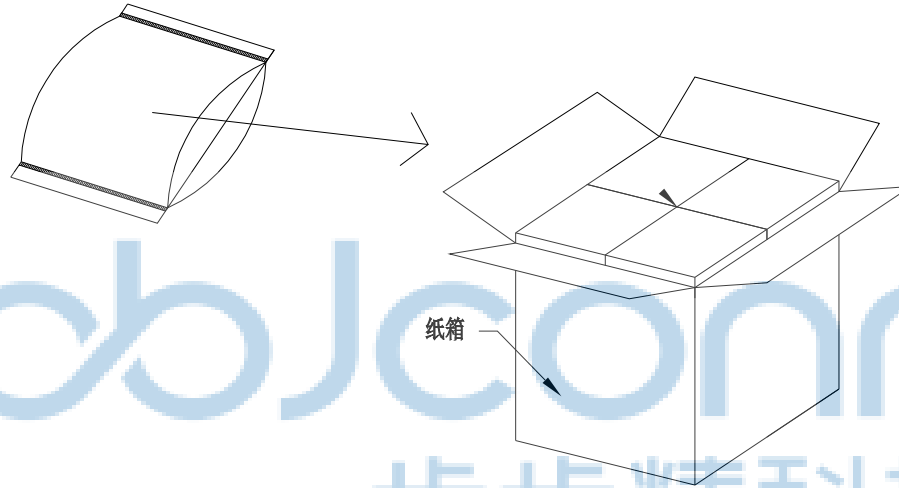
PJ. NO.: TS.01.17-31-31-02  
SIZE: A4 DRW NO.:

FINISH: SEE NOTES MAT'L.: SEE NOTES  
SCALE: N/A REV.: A0 UNIT: mm PAGE: 1/2

深圳市步步精科技有限公司

REV.	ECN NO	CONTENT	DATE	ENGINEER
A0		Initial release	/	SGF

PE袋规格:\*\*\*X\*\*\* (以实际出货为准)



1. 包装要求:

- 1.1 每PE袋包装 1000PCS;
- 1.2 每1袋放一小纸盒;
- 1.3 每20个小纸盒放一个纸箱, 共计20000PCS
- 1.4 纸箱外贴上标签



THIS DOCUMENT IS THE SOLE PROPERTY OF BBJconn Technology Co.,Ltd. Corporation AND SHOULD NOT BE USED IN WHOLE OR IN PART WITHOUT PRIOR WRITTEN PERMISSION.		<b>深圳市步步精科技有限公司</b>	
PDWG.NO: 0013-1	DR. SGF	.X: ±0.38 .XX: ±0.25 .XXX: ±0.13 X': ±3" X": ±2" XX': ±1"	NAME: 轻触开关 6x6x7 支架 不锈钢弹片 白柄 260G PJ. NO.: TS.01.17-31-31-02 SIZE: A4   DRW NO.: FINISH: SEE NOTES   MAT'L.: SEE NOTES SCALE: N/A   REV.: A0   UNIT: mm   PAGE: 2/2