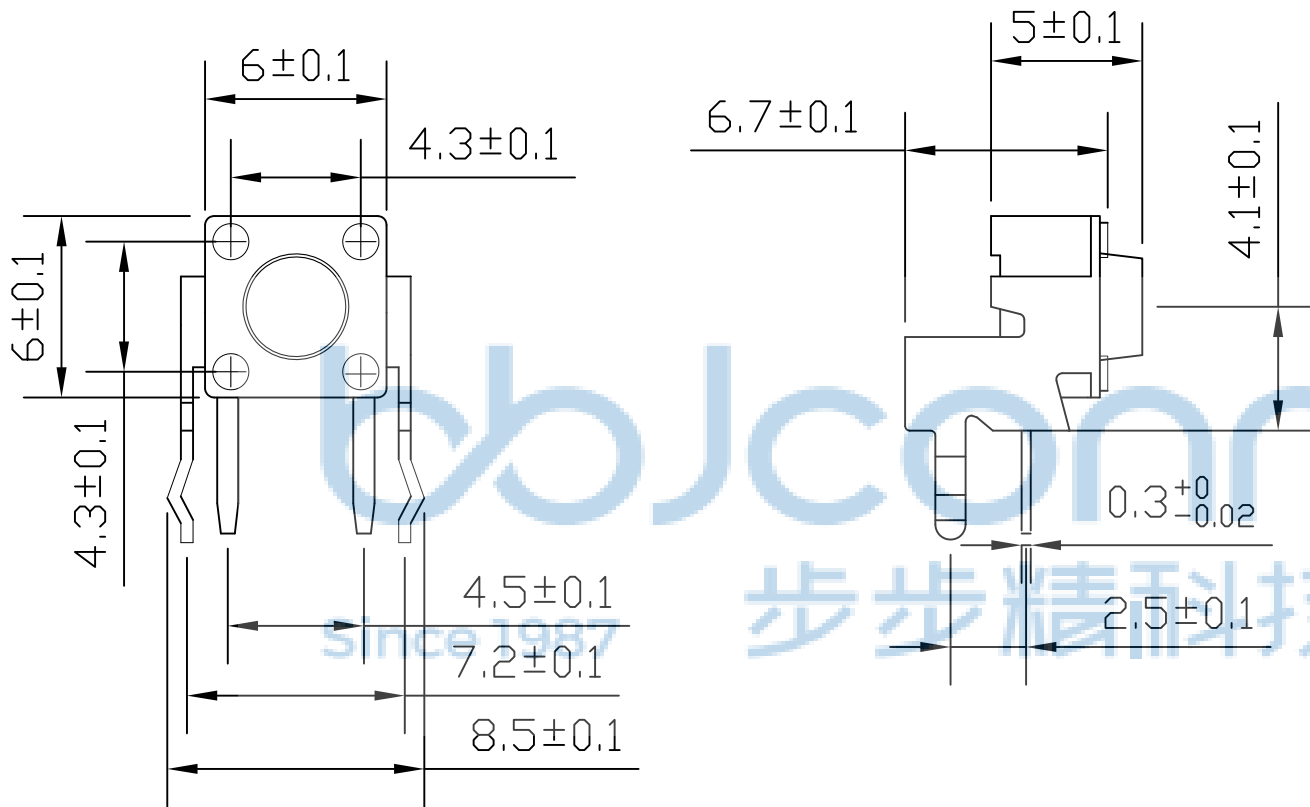


REV.	ECN NO.	CONTENT	DATE	ENGINEER
A0		Initial release	/	SGF



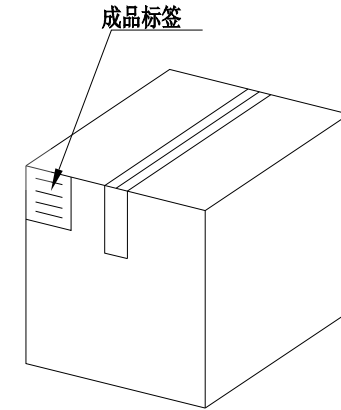
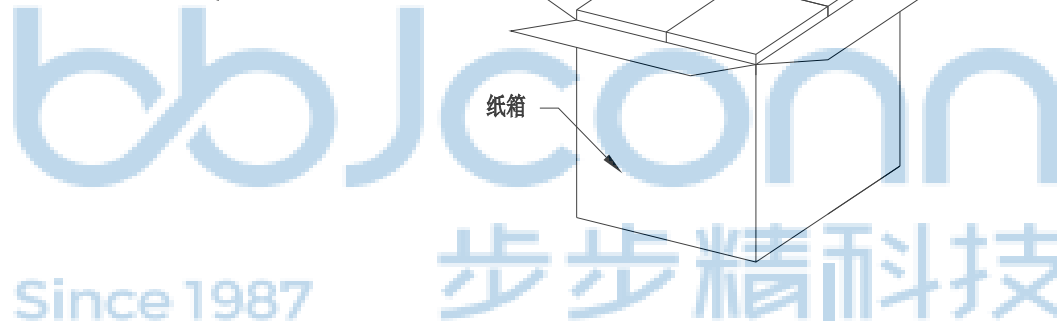
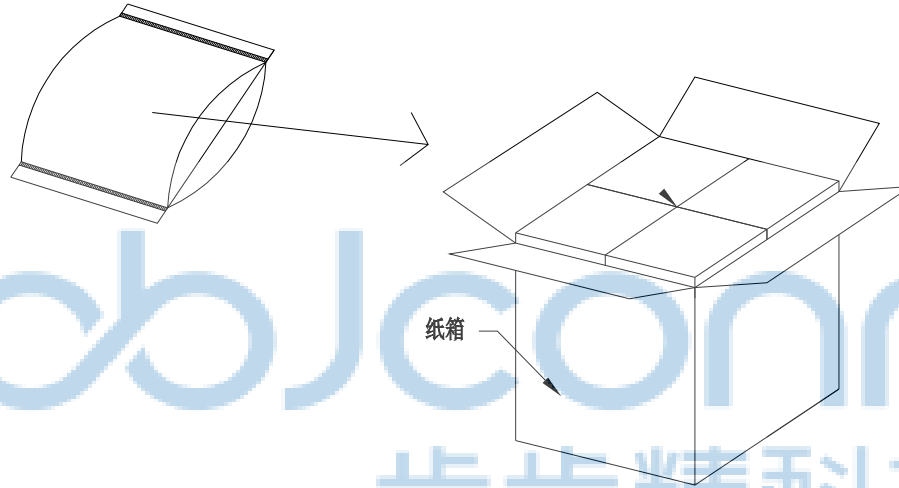
主要技术参数			
1	操作行程	0.25±0.1mm	
2	额定电压、电流	DC12V/50mA	
3	接触电阻	50mΩ(max)	
4	绝缘电阻	100MΩ(min)	
5	耐压	250V AC/1min	
6	动作力	160/260±30gf	
7	使用寿命	100000次	
8	尺寸	未注公差均按 GB/T1804-2000	



THIS DOCUMENT IS THE SOLE PROPERTY OF BBJconn Technology Co.,Ltd. Corporation AND SHOULD NOT BE USED IN WHOLE OR IN PART WITHOUT PRIOR WRITTEN PERMISSION.		深圳市步步精科技有限公司 .X: ±0.38 .X': ±3' .XX: ±0.25 .X'': ±2' .XXX: ±0.13 .XX': ±1'		NAME: 轻触开关 6x6x5 半包支架 不锈钢弹片 160G	
APPD.	JM_Zheng	PJ. NO.: TS.01.13-G2-31-02 SIZE: A4 DRW NO.:		FINISH: SEE NOTES MAT'L.: SEE NOTES	
CHKD.	LYX	SCALE: N/A		REV.: A0	UNIT: mm
PDWG.NO:	0013-1	DR.	SGF	PAGE:	1/2

REV.	ECN NO	CONTENT	DATE	ENGINEER
A0		Initial release	/	SGF

PE袋规格:***X*** (以实际出货为准)



1. 包装要求:
- 1.1 每PE袋包装1000pcs;
 - 1.2 每1袋放一小纸盒;
 - 1.3 每20个小纸盒放一个纸箱, 共计20000PCS
 - 1.4 纸箱外贴上标签



THIS DOCUMENT IS THE SOLE PROPERTY OF BBJconn Technology Co.,Ltd. Corporation AND SHOULD NOT BE USED IN WHOLE OR IN PART WITHOUT PRIOR WRITTEN PERMISSION.		深圳市步步精科技有限公司 .X: ±0.38 X': ±3' .XX: ±0.25 .X": ±2" .XXX: ±0.13 .XX': ±1'		NAME: 轻触开关 6x6x5 半包支架 不锈钢弹片 160G	
APPD.	JM_Zheng	PJ. NO.: TS.01.13-G2-31-02 SIZE: A4 DRW NO.:		FINISH: SEE NOTES MAT'L.: SEE NOTES	
CHKD.	LYX	PDWG.NO: 0013-1		SCALE: N/A REV.: A0 UNIT: mm PAGE: 2/2	
DR.	SGF				