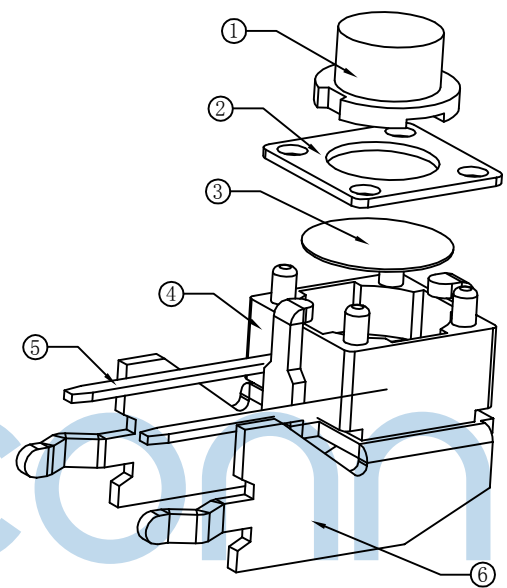
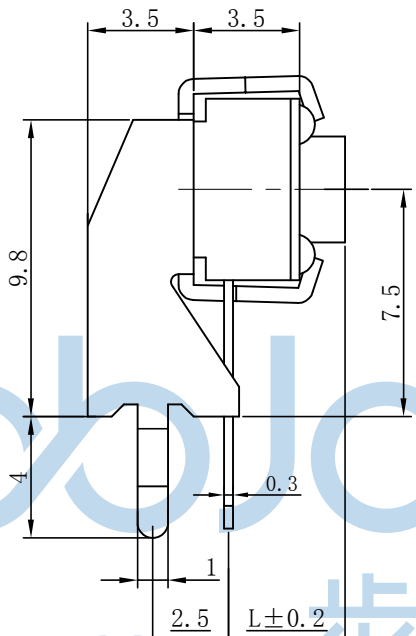
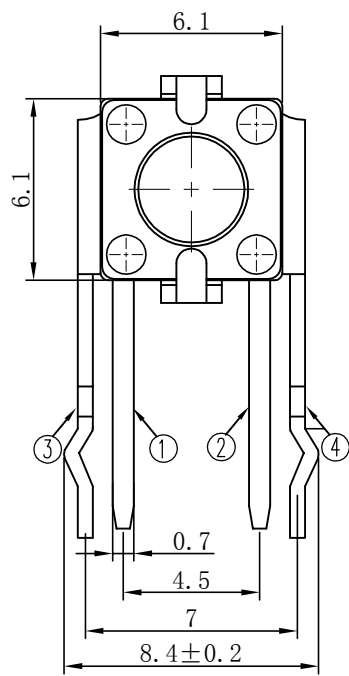
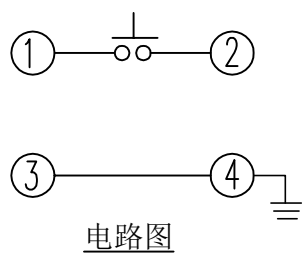
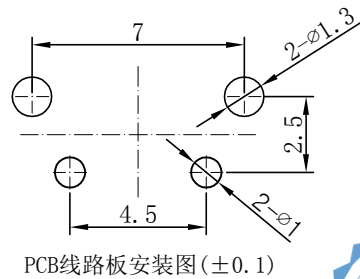
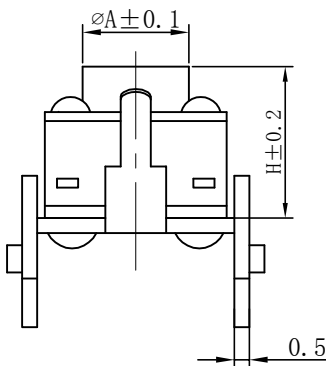


REV.	ECN NO.	CONTENT	DATE	ENGINEER
A0		Initial Release	/	LHC

- 技术参数:
1. 做用温度: -25~+85°C;
  2. 额定负荷: DC 12V 50mA;
  3. 接触电阻: ≤50mΩ;
  4. 绝缘电阻: ≥100MΩ;
  5. 耐 压: AC250V(50Hz)/min;
  6. 动作力: 160 /260GF±50g;
  7. 使用寿命: 100000次;



高度L (mm)	帽头H (mm)	直径A (mm)
13.85	15.0	ø3.0
11.85	13.0	ø3.0
8.35	9.5	ø3.1
7.85	9.0	ø3.2
7.35	8.5	ø3.2
6.35	7.5	ø3.3
5.35	6.5	ø3.3
4.85	6.0	ø3.3
3.85	5.0	ø3.5
3.15	4.3	ø3.5



序号	名称	数量	材料	镀层/颜色	备注
6	机架	1	冷轧钢带	Cu/Sn	
5	嵌件	1	H62Y 黄铜 T=0.30	Ag	
4	底座	1	PPA	黑	
3	簧片	1	不锈钢/复合银	Ag	
2	盖板	1	冷轧钢带	Cu/Sn	
1	按钮	1	PPA	黑	



THIS DOCUMENT IS THE SOLE PROPERTY OF BBJconn Technology Co.,Ltd. Corporation AND SHOULD NOT BE USED IN WHOLE OR IN PART WITHOUT PRIOR WRITTEN PERMISSION.

PDWG.NO: 0013-1

DR. LHC

APPD. JM\_Zheng

CHKD. LYX

NAME: 深圳市步步精科技有限公司  
轻触开关 6x6x5.0 飞机架 不锈钢弹片 160GF

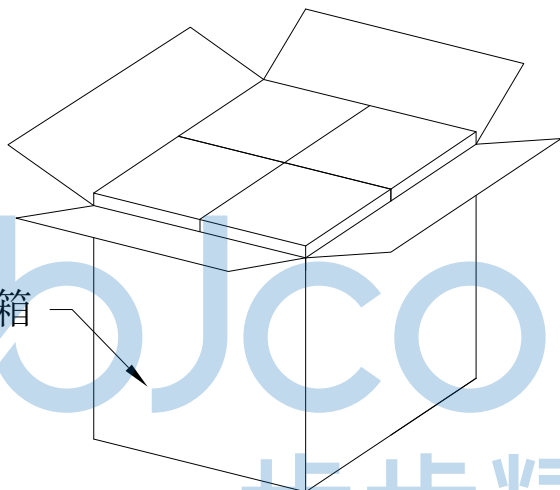
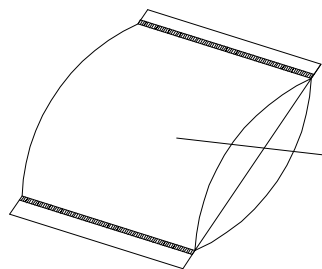
PJ. NO.: TS.01.13-B2-31-01

SIZE: A4 | DRW NO.:

FINISH: SEE NOTES | MAT'L.: SEE NOTES

SCALE: N/A | REV.: A0 | UNIT: mm | PAGE: 1/2

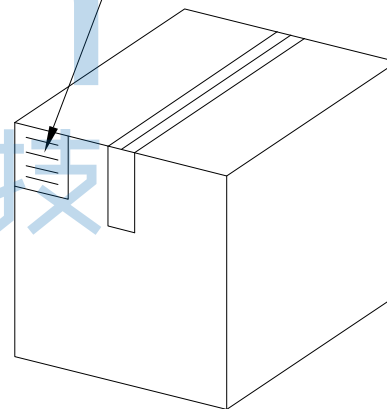
PE袋规格: 260\*185



纸箱



成品标签



1. 包装要求:

- 1.1 每个PE袋包装 500 pcs ;
- 1.2 每1袋放一小纸盒;
- 1.3 每20个小纸盒放一个纸箱, 共计 10000 pcs ;
- 1.4 纸箱外贴上标签



THIS DOCUMENT IS THE SOLE PROPERTY OF BBJconn Technology Co.,Ltd. Corporation AND SHOULD NOT BE USED IN WHOLE OR IN PART WITHOUT PRIOR WRITTEN PERMISSION.		深圳市步步精科技有限公司 .X: ±0.38    .X': ±3" .XX: ±0.25    .X": ±2" .XXX: ±0.13    .X": ±1"		NAME: 轻触开关 6x6x5.0 飞机架 不锈钢弹片 260GF	
APPD.	JM_Zheng	PJ. NO.: TS.01.13-B1-31-01		SIZE: A4   DRW NO.:	
CHKD.	LYX	FINISH: SEE NOTES		MAT'L.: SEE NOTES	
PDWG.NO:	0013-1	DR.	LHC	SCALE: N/A	REV.: A0   UNIT: mm   PAGE: 2/2