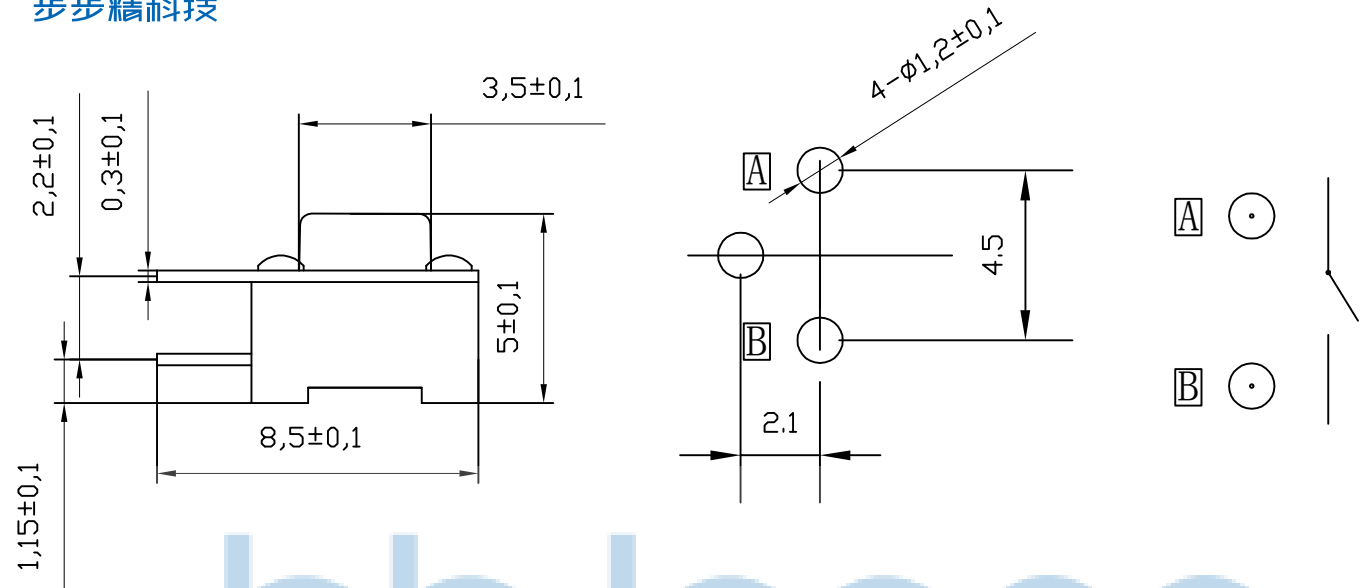
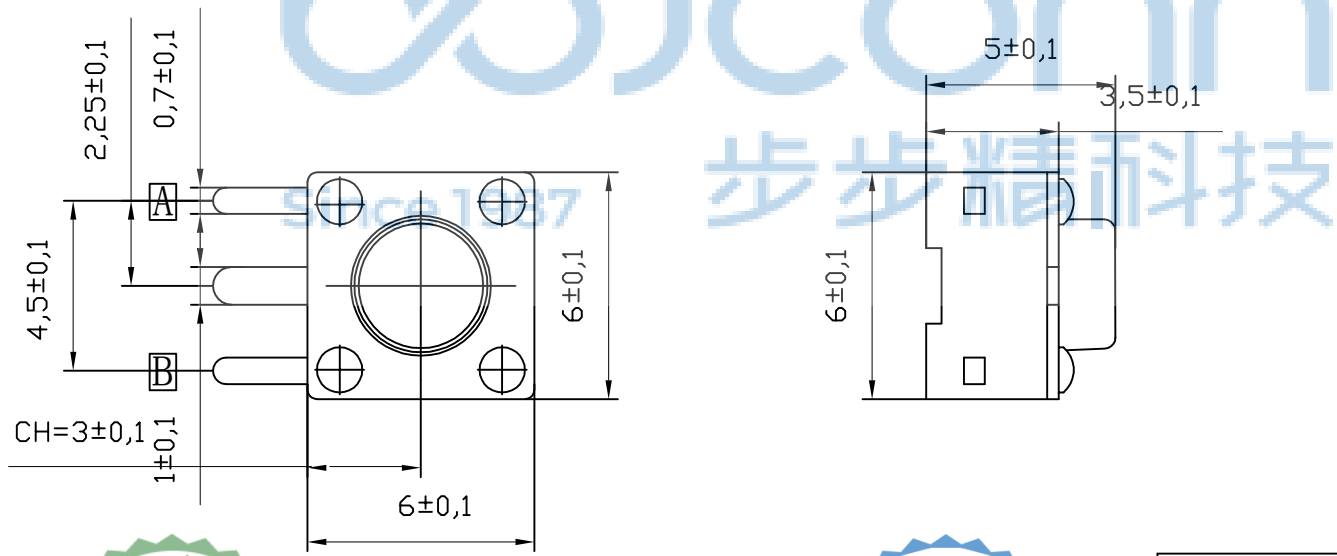


REV.	ECN NO.	CONTENT	DATE	ENGINEER
A0		Initial release	/	SGF



主要技术参数			
1	操作行程	0.25±0.1mm	
2	额定电压、电流	DC12V/50mA	
3	接触电阻	50mΩ (max)	
4	绝缘电阻	100MΩ (min)	
5	耐 压	250V AC/1min	
6	动 作 力	160/260±30gf	
7	使用寿命	80000次	
8	尺 寸	未注公差均按 GB/T1804—2000	



序号	名 称	数量	材 料	镀涂/颜色
1	按 钮	1	PPA	黑色
2	盖 板	1	铁皮/铜皮	镀银/镀锡
3	弹 片	1	进口不锈钢	镀银/白色
			磷青铜覆银	
			磷青铜	
4	底 座	1	PPA	黑色与镀银



THIS DOCUMENT IS THE SOLE PROPERTY OF BBJconn Technology Co., Ltd. CORPORATION AND SHOULD NOT BE USED IN WHOLE OR IN PART WITHOUT PRIOR WRITTEN PERMISSION.

PDWG.NO: 0013-1

深圳市步步精科技有限公司

NAME: 轻触开关 6x6x5 边三脚 不锈钢弹片 160G

PJ. NO.: TS.01.13-92-31-01

SIZE: A4 | DRW NO.:

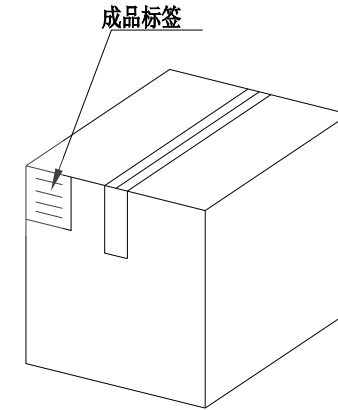
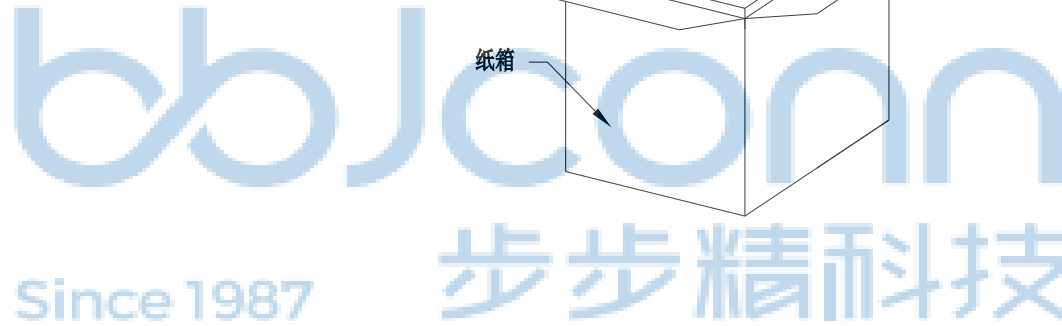
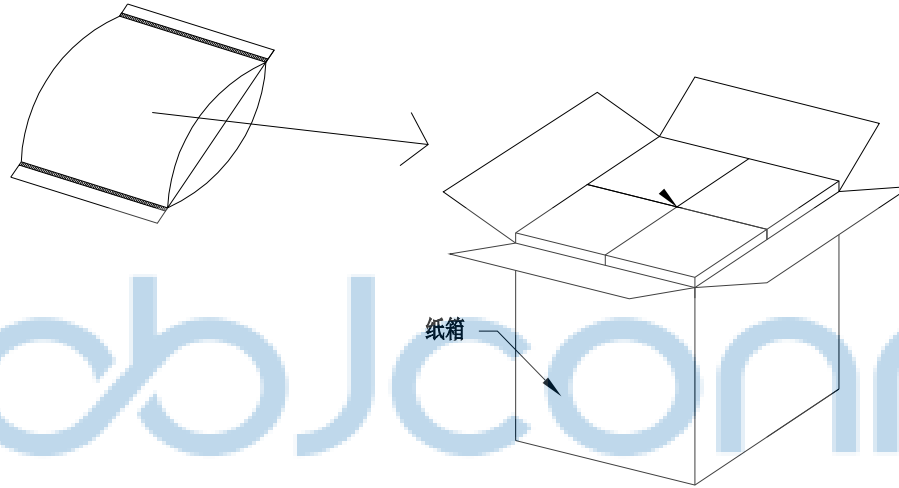
FINISH: SEE NOTES | MAT'L.: SEE NOTES

SCALE: N/A | REV.: A0 | UNIT: mm | PAGE: 1/2

APPD. JM_Zheng | CHKD. LYX | DR. SGF

REV.	ECN NO	CONTENT	DATE	ENGINEER
A0		Initial release	/	SGF

PE袋规格:***X*** (以实际出货为准)



1. 包装要求:

- 1.1 每PE袋包装 1000 pcs;
- 1.2 每1袋放一小纸盒;
- 1.3 每20个小纸盒放一个纸箱, 共计20000PCS
- 1.4 纸箱外贴上标签



THIS DOCUMENT IS THE SOLE PROPERTY OF BBJconn Technology Co.,Ltd. Corporation AND SHOULD NOT BE USED IN WHOLE OR IN PART WITHOUT PRIOR WRITTEN PERMISSION.		深圳市步步精科技有限公司 .X: ±0.38 X': ±3' .XX: ±0.25 .X': ±2' .XXX: ±0.13 .XX': ±1'		NAME: 轻触开关 6x6x5 边三脚 不锈钢弹片 160G	
APPD.	JM_Zheng	PJ. NO.: TS.01.13-92-31-01 SIZE: A4 DRW NO.:		FINISH: SEE NOTES MAT'L.: SEE NOTES	
CHKD.	LYX	SCALE: N/A REV.: A0		UNIT: mm	PAGE: 2/2
PDWG.NO:	0013-1	DR.	SGF		