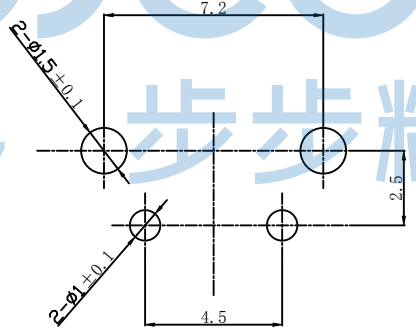
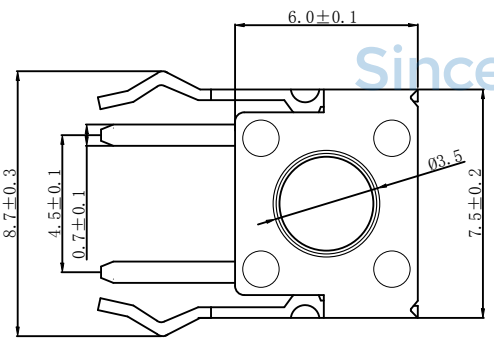
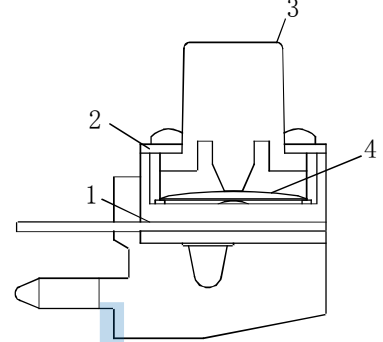
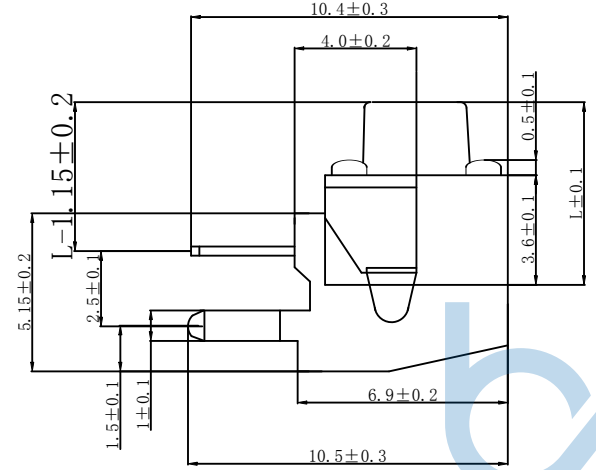


L=4.3~23

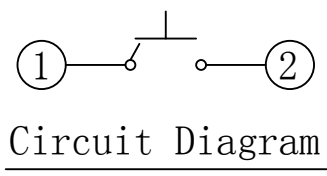
REV.	ECN NO.	CONTENT	DATE	ENGINEER
A0		Initial release	/	TSP

主要技术参数	1	操作行程	0.25±0.1mm
	2	额定电压、电流	DC12V/50mA
	3	接触电阻	30mΩ (max)
	4	绝缘电阻	100MΩ (min)
	5	耐压	250V AC/1min
	6	动作力	100/160/260±30gf
	7	使用寿命	50000次
	8	尺寸	未注公差均按 GB/T1804-2000



P. C. B. Land Pattern

序号	名称	数量	材料	镀涂/颜色
1	底座	1	0.3mm黄铜与PPA	黑色与镀银
2	支架	1	铁皮	镀铜锡
3	按钮	1	PPA	黑色
4	弹片	1	0.05mm 不锈钢	镀银/白色



THIS DOCUMENT IS THE SOLE PROPERTY OF BBJconn Technology Co.,Ltd Corporation AND SHOULD NOT BE USED IN WHOLE OR IN PART WITHOUT PRIOR WRITTEN PERMISSION.

PDWG.NO: 0013-1

DR. TSP

APPD. JM\_Zheng

CHKD. LYX

深圳市步步精科技有限公司

NAME: 轻触开关 6x6x5.0 支架 不锈钢弹片 260GF

PJ. NO.: TS.01.13-31-31-02

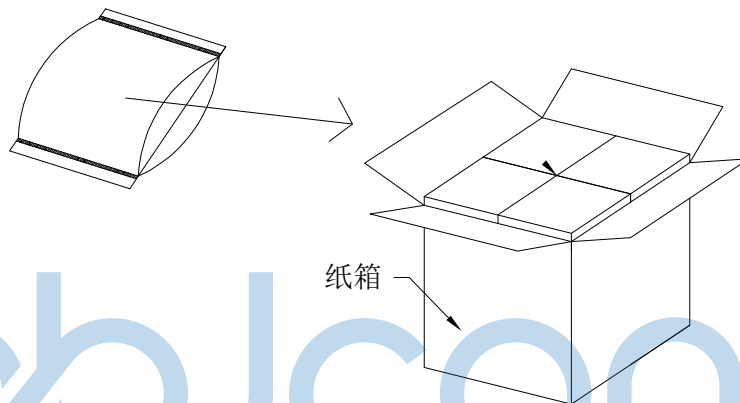
SIZE: A4 DRW NO.:

FINISH: SEE NOTES MAT'L.: SEE NOTES

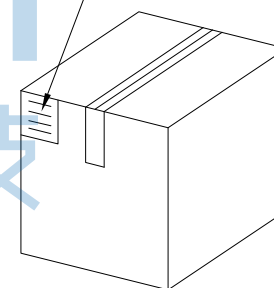
SCALE: N/A REV.: A0 UNIT: mm PAGE: 1/2

REV.	ECN NO	CONTENT	DATE	ENGINEER
A0		Initial release	/	TSP

PE袋规格: 260\*185



成品标签



1. 包装要求:

- 1.1 每个PE袋包装1000pcs;
- 1.2 每1袋放一小纸盒;
- 1.3 每20个小纸盒放一个纸箱, 共计20000pcs;
- 1.4 纸箱外贴上标签



THIS DOCUMENT IS THE SOLE PROPERTY OF BBJconn Technology Co.,Ltd Corporation AND SHOULD NOT BE USED IN WHOLE OR IN PART WITHOUT PRIOR WRITTEN PERMISSION.		深圳市步步精科技有限公司 .X: ±0.38    .X': ±3" .XX: ±0.25    .X'': ±2" .XXX: ±0.13    .XX': ±1"		NAME: 轻触开关 6x6x5.0 支架 不锈钢弹片 260GF	
APPD.	JM_Zheng	PJ. NO.: TS.01.13-31-31-02 SIZE: A4   DRW NO.:		FINISH: SEE NOTES   MAT'L.: SEE NOTES	
CHKD.	LYX	SCALE: N/A		REV.: A0	UNIT: mm
PDWG.NO:	0013-1	DR.	TSP	PAGE: 2/2	