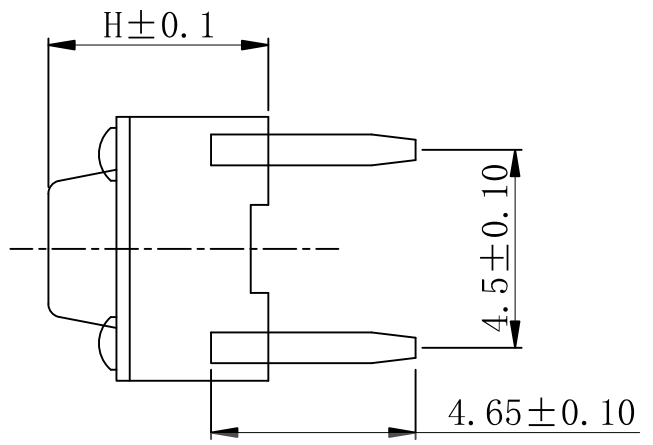
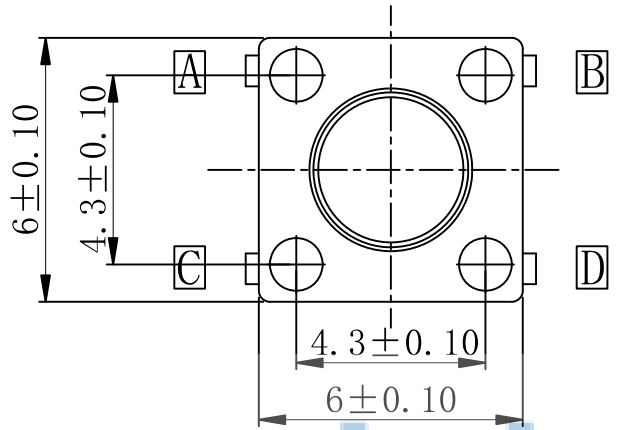
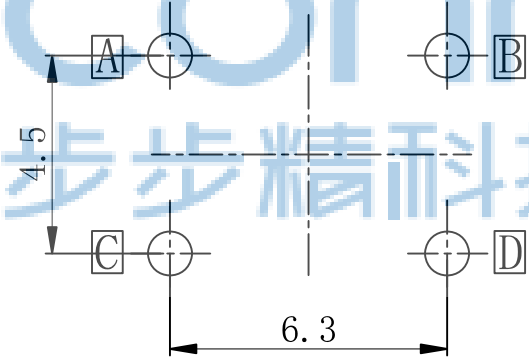
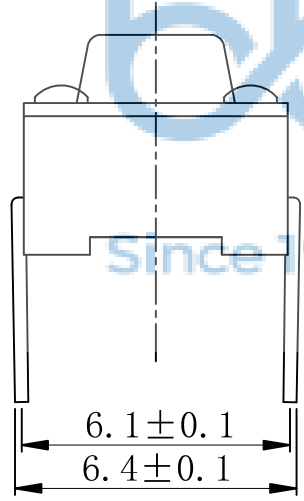


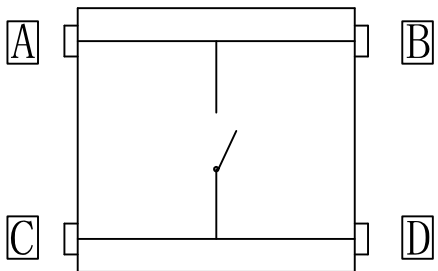
REV.	ECN NO.	CONTENT	DATE	ENGINEER
AO				



主要技术参数	1	操作行程	0.25 ± 0.1mm
	2	额定电压、电流	DC12V/50mA
	3	接触电阻	50mΩ (max)
	4	绝缘电阻	100MΩ (min)
	5	耐压	250V AC/1min
	6	动作力	160/260 (±30gf)
	7	使用寿命	100000次
	8	尺寸	未注公差均按 GB/T1804-2000



序号	名称	数量	材料	镀涂/颜色
1	按钮	1	PPA	黑色
2	盖板	1	铁皮/铜皮	镀银/镀锡
3	弹片	1	不锈钢 磷青铜镀银 磷青铜	镀银/白色
4	底座	1	PPA	黑色与镀银



THIS DOCUMENT IS THE SOLE PROPERTY OF BBJconn Technology Co.,Ltd. Corporation AND SHOULD NOT BE USED IN WHOLE OR IN PART WITHOUT PRIOR WRITTEN PERMISSION.

PDWG.NO: 0013-1

深圳市步步精科技有限公司

NAME: 轻触开关 6x6x5.5 无弯度直脚 不锈钢弹片 260GF

APPD. JM_Zheng

CHKD. TSP

DR. LYX

PJ. NO.: TS.01.13-21-31-04

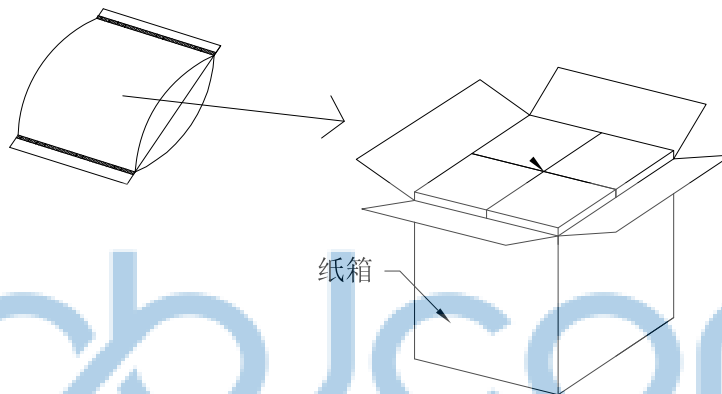
SIZE: A4 DRW NO.:

FINISH: SEE NOTES MAT'L.: SEE NOTES

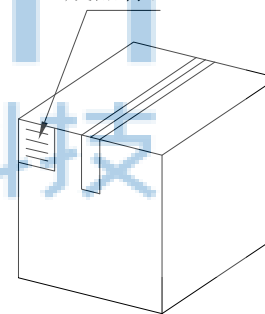
SCALE: N/A REV.: A3 UNIT: mm PAGE: 1/1

REV.	ECN NO	CONTENT	DATE	ENGINEER
A0				


PE袋规格: 260*185



成品标签



1. 包装要求:
- 1.1 每个PE袋包装1000PCS;
 - 1.2 每1袋放一小纸盒;
 - 1.3 每20个小纸盒放一个纸箱, 共计20000PCS;
 - 1.4 纸箱外贴上标签

THIS DOCUMENT IS THE SOLE PROPERTY OF BBJconn Technology Co., Ltd. Corporation AND SHOULD NOT BE USED IN WHOLE OR IN PART WITHOUT PRIOR WRITTEN PERMISSION.		 深圳市步步精科技有限公司	
.X: ±0.38 .XX: ±0.25 .XXX: ±0.13		X': ±3' X'': ±2' XX': ±1'	
APPD.	JM_Zheng	NAME: 轻触开关 6x6x5.5 无弯度直脚 不锈钢弹片 260GF	
CHKD.	TSP	P.J. NO.: TS.01.13-21-31-04	
PDWG,NO:	0013-1	SCALE: N/A	REV.: A3 UNIT: mm PAGE: 1/1