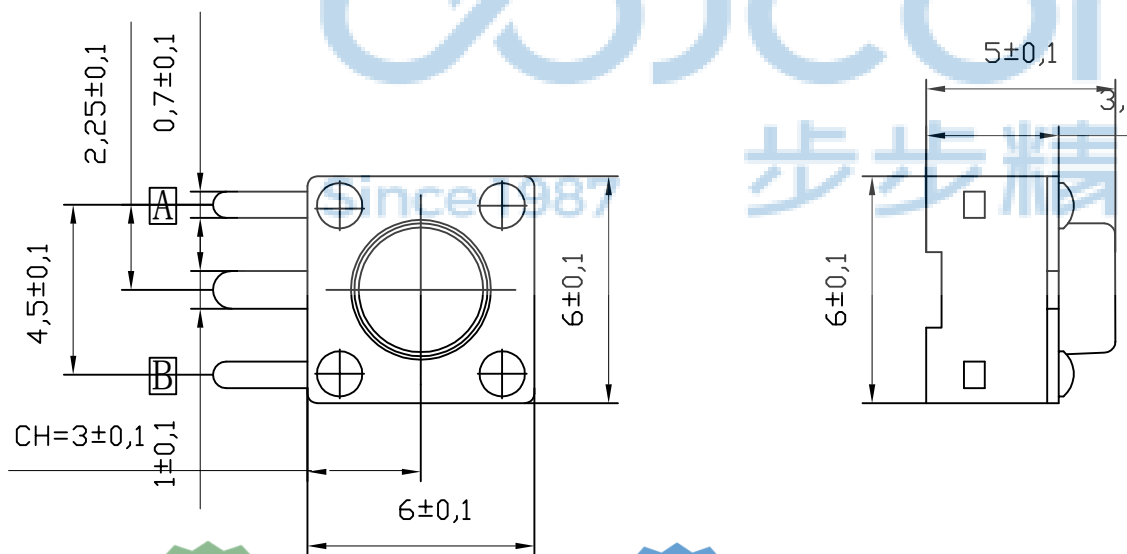
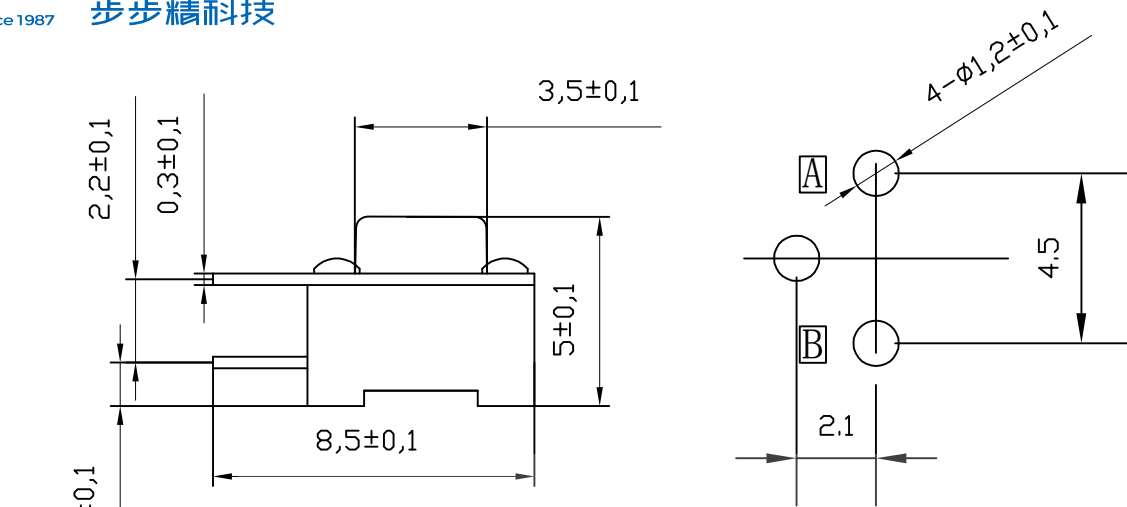


REV.	ECN NO.	CONTENT	DATE	ENGINEER
AO		Initial release	/	SGF

主要技术参数	1	操作行程	0.25±0.1mm
	2	额定电压、电流	DC12V/50mA
	3	接触电阻	50mΩ(max)
	4	绝缘电阻	100MΩ(min)
	5	耐压	250V AC/1min
	6	动作力	100/120/130/160/260±30gf
	7	使用寿命	80000次
	8	尺寸	未注公差均按 GB/T1804-2000



序号	名称	数量	材料	镀涂/颜色
1	按钮	1	PPA	黑色
2	盖板	1	铁皮/铜皮	镀银/镀锡
3	弹片	1	进口不锈钢	镀银/白色
			磷青铜覆银	
			磷青铜	
4	底座	1	PPA	黑色与镀银



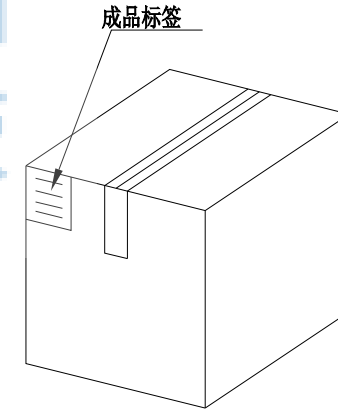
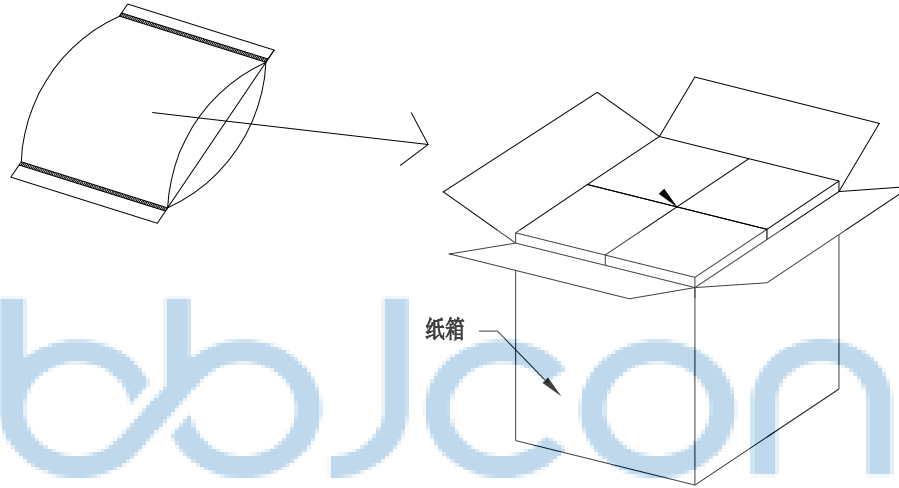
THIS DOCUMENT IS THE SOLE PROPERTY OF BBJconn Technology Co., Ltd. Corporation AND SHOULD NOT BE USED IN WHOLE OR IN PART WITHOUT PRIOR WRITTEN PERMISSION.
PDWG.NO: 0013-1

深圳市步步精科技有限公司

.X: ±0.38 .XX: ±0.25 .XXX: ±0.13	X': ±3' .X': ±2' .XX': ±1'	NAME: 轻触开关 6x6x5 边三脚 不锈钢弹片 130G
APPD. JM_Zheng	CHKD. LYX	PJ. NO.: TS.01.13-9C-31-01
DR. SGF	FINISH: SEE NOTES	SCALE: N/A
	MAT'L.: SEE NOTES	REV.: A0
	UNIT: mm	PAGE: 1/2

REV.	ECN NO	CONTENT	DATE	ENGINEER
A0		Initial release	/	SGF

PE袋规格:***X*** (以实际出货为准)



1. 包装要求:

- 1.1 每PE袋包装 1000 pcs;
- 1.2 每1袋放一小纸盒;
- 1.3 每20个小纸盒放一个纸箱, 共计20000PCS
- 1.4 纸箱外贴上标签



THIS DOCUMENT IS THE SOLE PROPERTY OF BBJconn Technology Co.,Ltd. Corporation AND SHOULD NOT BE USED IN WHOLE OR IN PART WITHOUT PRIOR WRITTEN PERMISSION.		深圳市步步精科技有限公司 .X: ±0.38 X': ±3' .XX: ±0.25 .X': ±2' .XXX: ±0.13 .XX': ±1'	
APPD.	JM_Zheng	NAME: 轻触开关 6x6x5 边三脚 不锈钢弹片 130G	
CHKD.	LYX	PJ. NO.: TS.01.13-9C-31-01	
DR.	SGF	SIZE: A4 DRW NO.:	
PDWG.NO: 0013-1		FINISH: SEE NOTES MAT'L.: SEE NOTES	
		SCALE: N/A REV.: A0 UNIT: mm PAGE: 2/2	