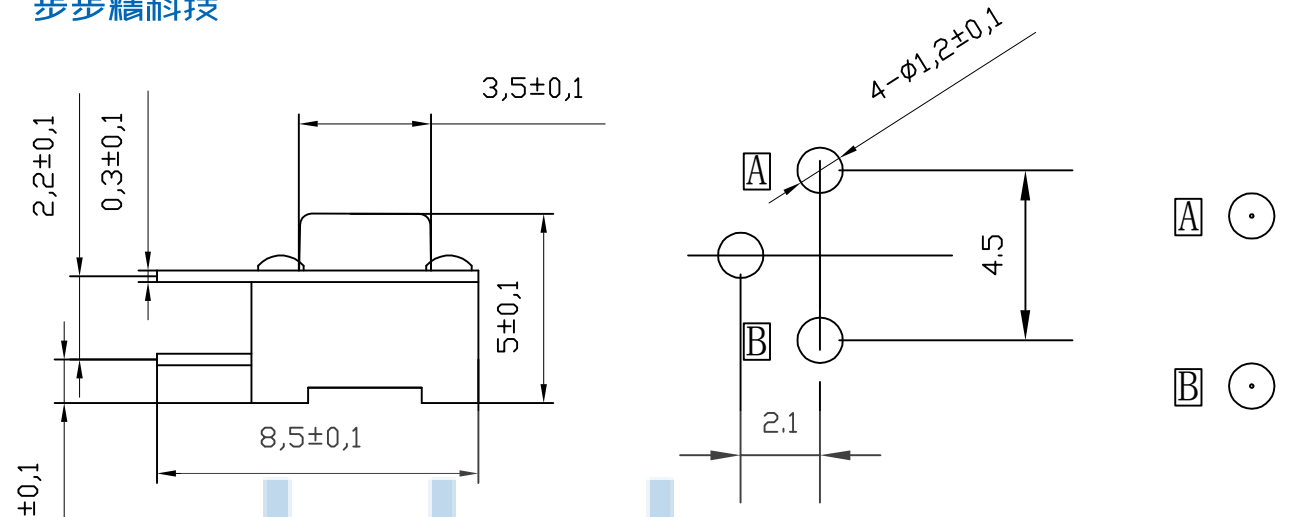
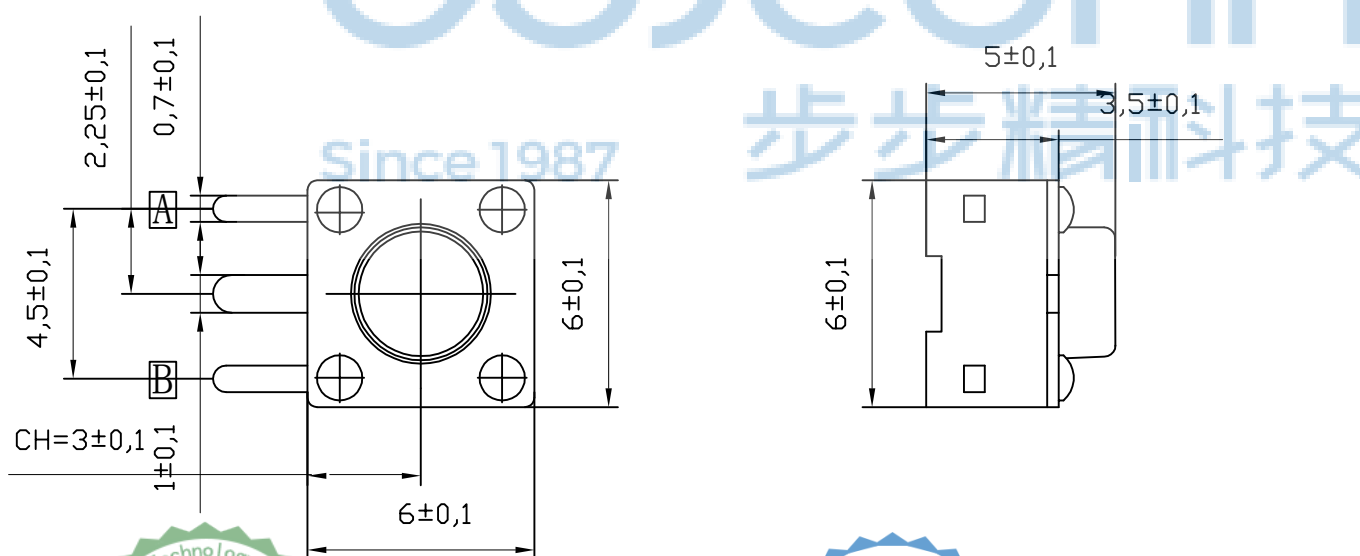


REV.	ECN NO.	CONTENT	DATE	ENGINEER
A0		Initial release	/	SGF



主要技术参数		参数	规格
1	操作行程	0.25±0.1mm	
2	额定电压、电流	DC12V/50mA	
3	接触电阻	50mΩ (max)	
4	绝缘电阻	100MΩ (min)	
5	耐压	250V AC/1min	
6	动作力	100/120/130/160/260 ± 30gf	
7	使用寿命	80000次	
8	尺寸	未注公差均按 GB/T1804-2000	



序号	名称	数量	材料	镀涂/颜色
1	按钮	1	PPA	黑色
2	盖板	1	铁皮/铜皮	镀银/镀锡
3	弹片	1	进口不锈钢	镀银/白色
			磷青铜覆银	
			磷青铜	
4	底座	1	PPA	黑色与镀银



THIS DOCUMENT IS THE SOLE PROPERTY OF BBJconn Technology Co.,Ltd. Corporation AND SHOULD NOT BE USED IN WHOLE OR IN PART WITHOUT PRIOR WRITTEN PERMISSION.

PDWG.NO: 0013-1

DR. SGF

**深圳市步步精科技有限公司**

NAME: 轻触开关 6x6x5 边三脚 不锈钢弹片 120G

APPD. JM\_Zheng

CHKD. LYX

PJ. NO.: TS.01.13-9B-31-01

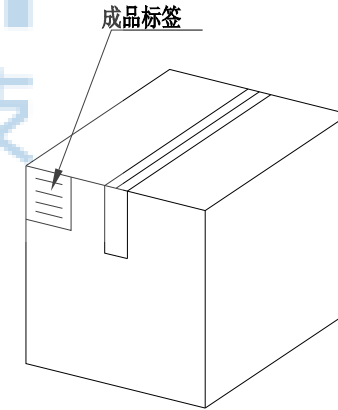
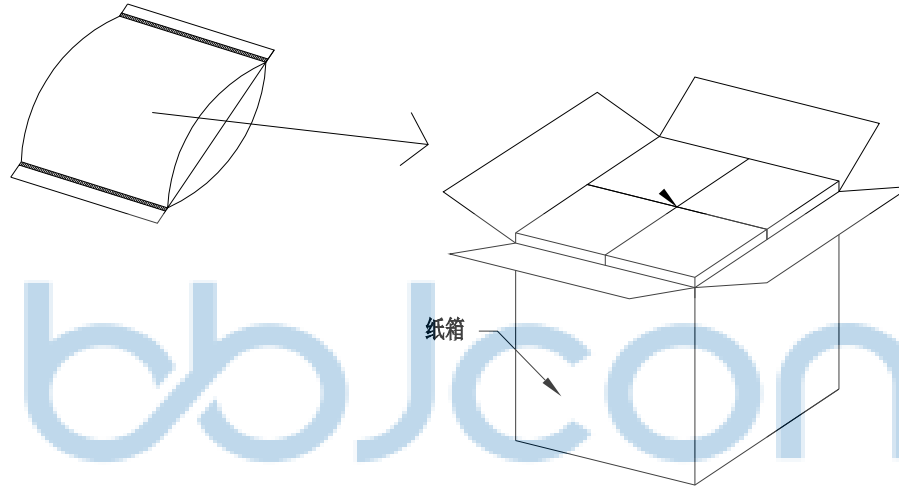
SIZE: A4 | DRW NO.:

FINISH: SEE NOTES | MAT'L.: SEE NOTES

SCALE: N/A | REV.: A0 | UNIT: mm | PAGE: 1/2

REV.	ECN NO	CONTENT	DATE	ENGINEER
A0		Initial release	/	SGF

PE袋规格:\*\*\*X\*\*\* (以实际出货为准)



1. 包装要求:

- 1.1 每PE袋包装 1000 pcs;
- 1.2 每1袋放一小纸盒;
- 1.3 每20个小纸盒放一个纸箱, 共计20000PCS
- 1.4 纸箱外贴上标签



THIS DOCUMENT IS THE SOLE PROPERTY OF BBJconn Technology Co.,Ltd. Corporation AND SHOULD NOT BE USED IN WHOLE OR IN PART WITHOUT PRIOR WRITTEN PERMISSION.		深圳市步步精科技有限公司 .X: ±0.38 X': ±3' NAME: .XX: ±0.25 .X': ±2' 轻触开关 6x6x5 边三脚 不锈钢弹片 120G .XXX: ±0.13 .XX': ±1'	
APPD.	JM_Zheng	PJ. NO.: TS.01.13-9B-31-01 SIZE: A4 DRW NO.:	
CHKD.	LYX		
PDWG.NO:	0013-1	DR.	SGF
		FINISH: SEE NOTES	MAT'L.: SEE NOTES
		SCALE: N/A	REV.: A0 UNIT: mm PAGE: 2/2