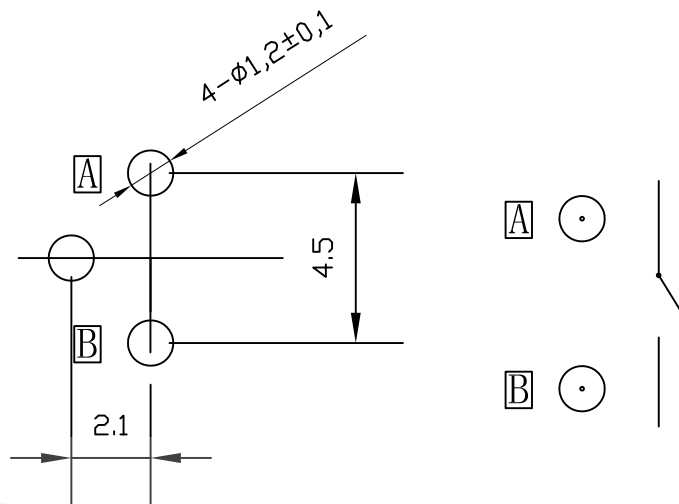
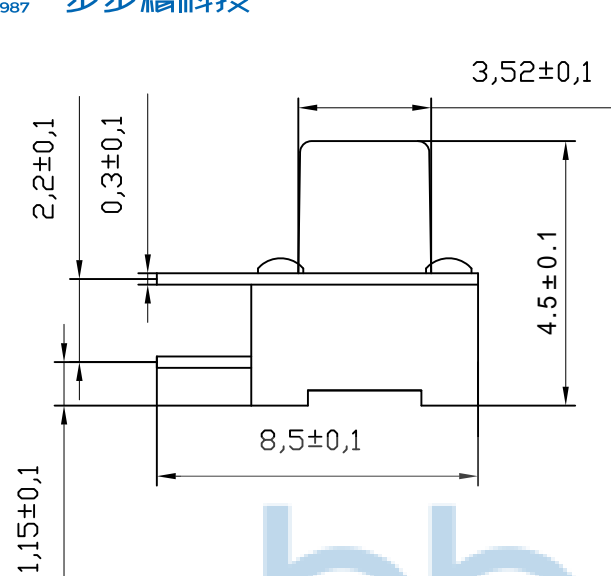
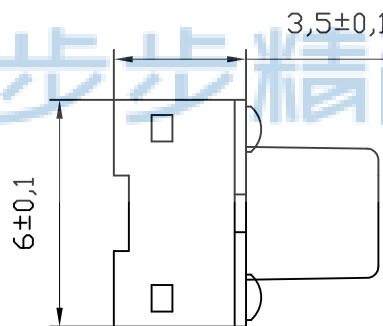
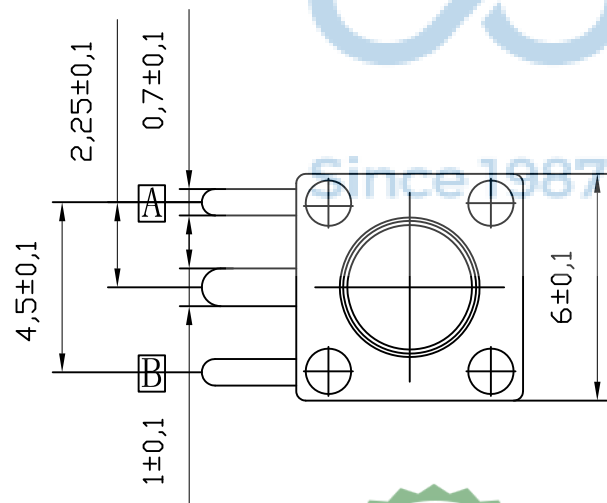


REV.	ECN NO.	CONTENT	DATE	ENGINEER
AO		Initial release	/	SGF



主要技术参数	1	操作行程	0.25±0.1mm
	2	额定电压、电流	DC12V/50mA
	3	接触电阻	50mΩ(max)
	4	绝缘电阻	100MΩ(min)
	5	耐 压	250V AC/1min
	6	动 作 力	160/260±30gf
	7	使用寿命	80000次
	8	尺 寸	未注公差均按 GB/T1804—2000



序号	名 称	数量	材 料	镀涂/颜色
1	按 钮	1	PPA	黑色
2	盖 板	1	铁皮/铜皮	镀银/镀锡
3	弹 片	1	不锈钢	镀银/白色
			磷青铜覆银	
			磷青铜	
4	底 座	1	PPA	黑色与镀银



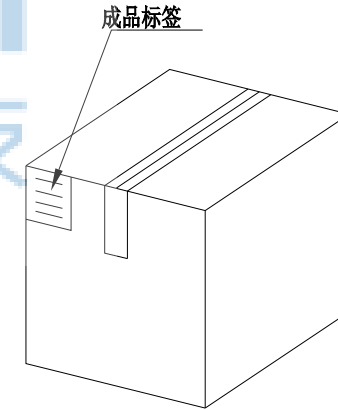
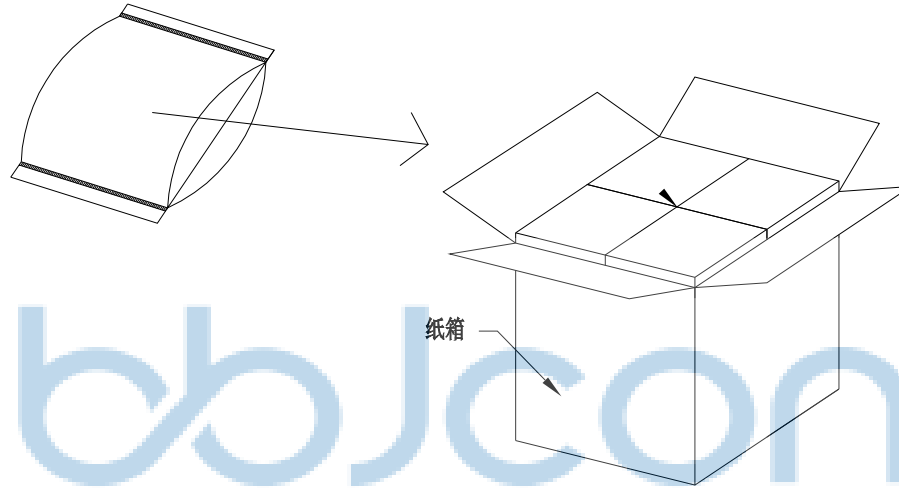
THIS DOCUMENT IS THE SOLE PROPERTY OF BBJconn Technology Co., Ltd. Corporation AND SHOULD NOT BE USED IN WHOLE OR IN PART WITHOUT PRIOR WRITTEN PERMISSION.

深圳市步步精科技有限公司

APPD.	JM_Zheng	NAME:	轻触开关 6x6x4.5 边三脚 不锈钢弹片 260G
CHKD.	LYX	PJ. NO.:	TS.01.11-91-31-01
DR.	SGF	SIZE:	A4 DRW NO.:
PDWG.NO:	0013-1	FINISH:	SEE NOTES
		MAT'L.:	SEE NOTES
		SCALE:	N/A
		REV.:	A0
		UNIT:	mm
		PAGE:	1/2

REV.	ECN NO	CONTENT	DATE	ENGINEER
A0		Initial release	/	SGF

PE袋规格:***X*** (以实际出货为准)



1. 包装要求:

- 1.1 每PE袋包装 1000 pcs;
- 1.2 每1袋放一小纸盒;
- 1.3 每20个小纸盒放一个纸箱, 共计20000PCS
- 1.4 纸箱外贴上标签



THIS DOCUMENT IS THE SOLE PROPERTY OF BBJconn Technology Co., Ltd. Corporation AND SHOULD NOT BE USED IN WHOLE OR IN PART WITHOUT PRIOR WRITTEN PERMISSION.		深圳市步步精科技有限公司 .X: ±0.38 X': ±3" .XX: ±0.25 .X": ±2" .XXX: ±0.13 .XX": ±1"	
APPD.	JM_Zheng	NAME: 轻触开关 6x6x4.5 边三脚 不锈钢弹片 260G	
CHKD.	LYX	PJ. NO.: TS.01.11-91-31-01	
DR.	SGF	SIZE: A4 DRW NO.:	
PDWG.NO: 0013-1		FINISH: SEE NOTES MAT'L.: SEE NOTES	
		SCALE: N/A REV.: A0 UNIT: mm PAGE: 2/2	