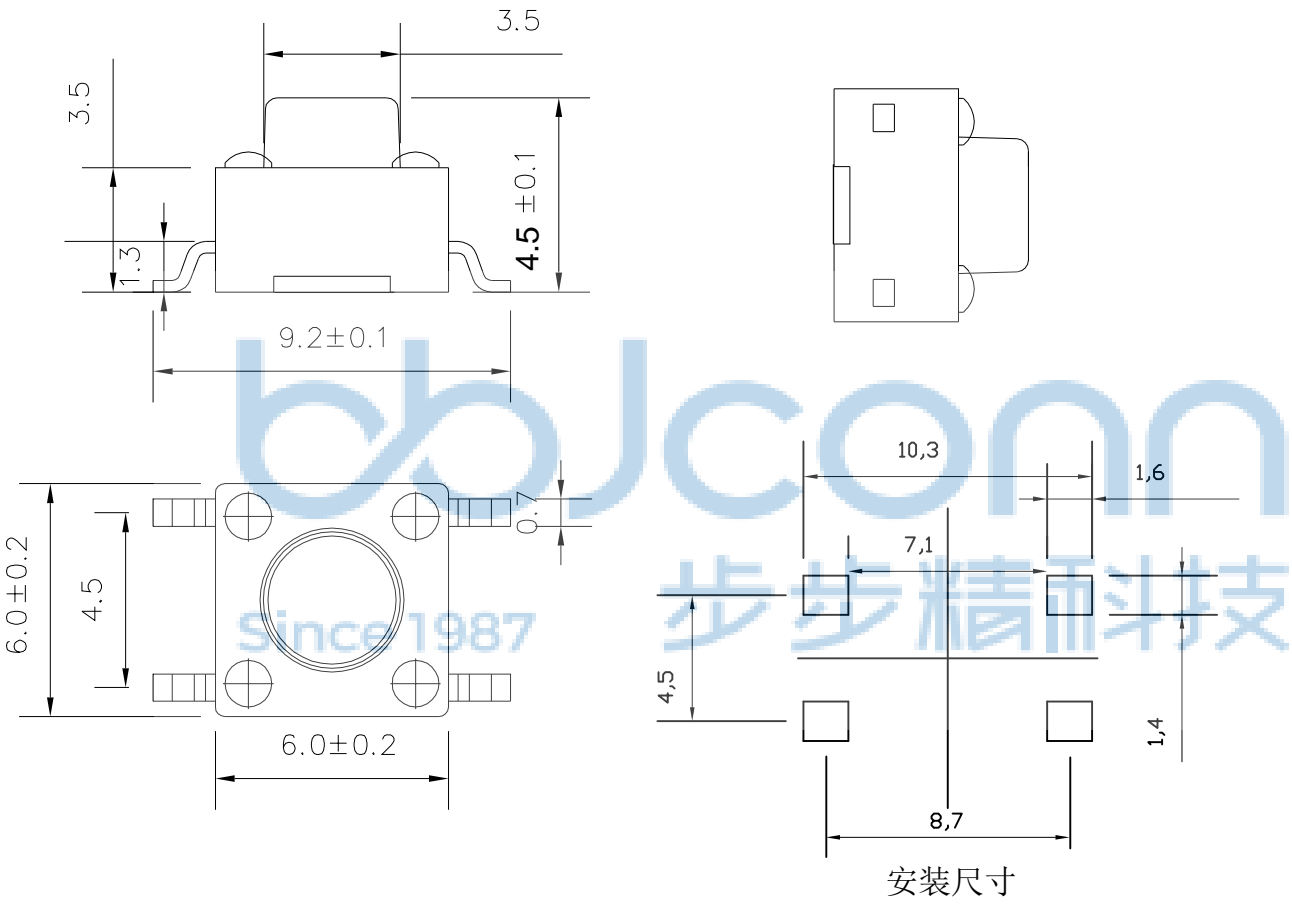


REV.	ECN NO.	CONTENT	DATE	ENGINEER
A0		Initial release	/	SGF

主要技术参数	1	操作行程	0.25±0.1mm
	2	额定电压、电流	DC12V/50mA
	3	接触电阻	30mΩ(max)
	4	绝缘电阻	100MΩ(mi n)
	5	耐 压	250V AC/1mi n
	6	动 作 力	160/260 ± 30gf
	7	使用寿命	80000次
	8	尺 寸	未注公差均按 GB/T1804—2000



4	弹片	1	不锈钢 SUS304	镀银/白色
3	接子	1	PPA	黑色
2	盖板	1	铁 SPCC	镀银/白色
1	底座	1	黄铜与 PPA (H65)	黑色与镀银
序号	名称	1	材料	镀涂/颜色



THIS DOCUMENT IS THE SOLE PROPERTY OF BBJconn Technology Co.,Ltd. Corporation AND SHOULD NOT BE USED IN WHOLE OR IN PART WITHOUT PRIOR WRITTEN PERMISSION.

PDWG.NO: 0013-1

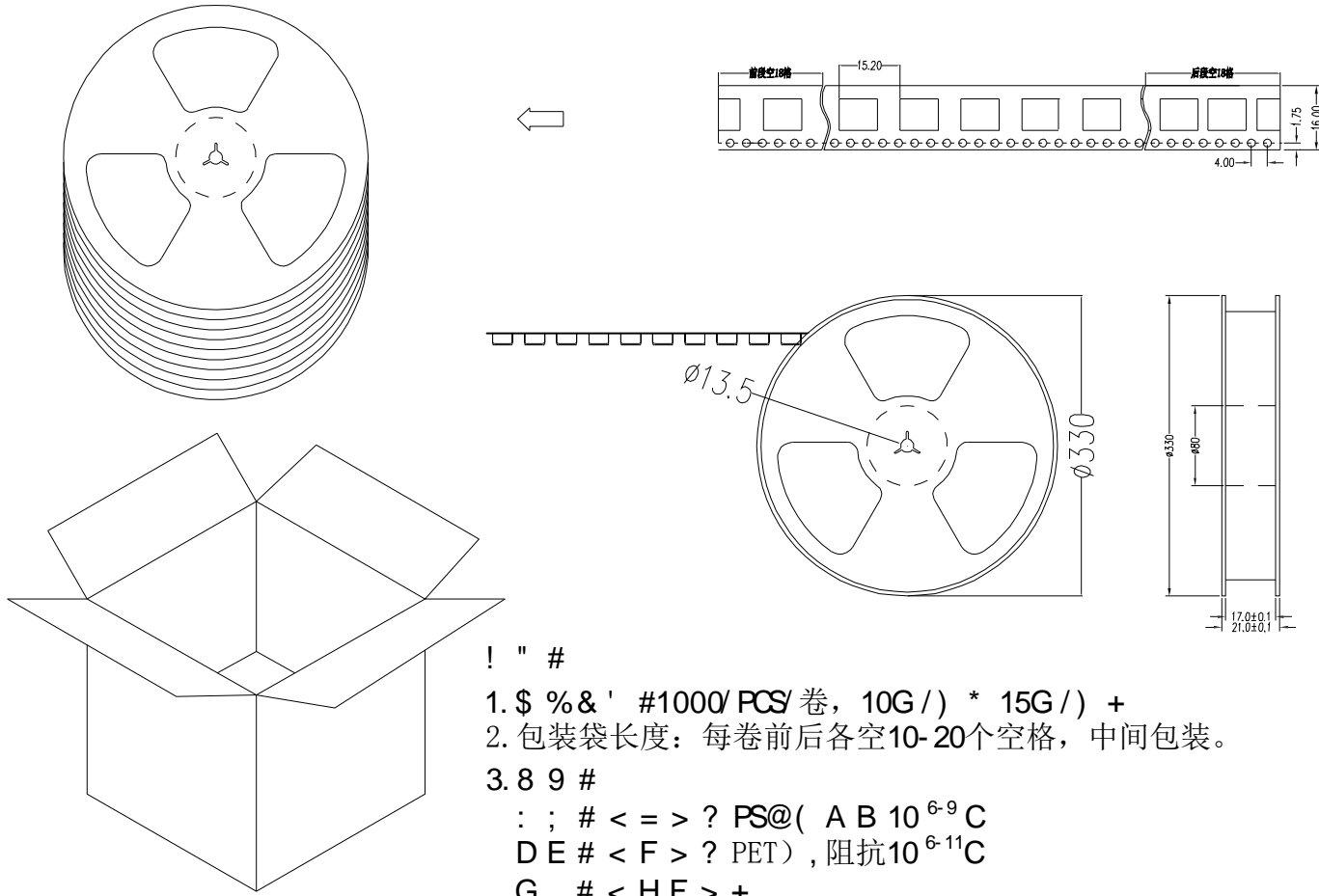
APPD. JM_Zheng
CHKD. LYX
DR. SGF

NAME: 轻触开关 6x6x4.5 贴片 不锈钢弹片 260G 9.2脚

PJ. NO.: TS.01.11-11-31-03
SIZE: A4 DRW NO.:
FINISH: SEE NOTES MAT'L.: SEE NOTES
SCALE: N/A REV.: A0 UNIT: mm PAGE: 1/2

深圳市步步精科技有限公司

REV.	ECN NO	CONTENT	DATE	ENGINEER
A0		Initial release	/	SGF



- ! " #
 1. \$ % & ' #1000/ PCS/ 卷, 10G /) * 15G /) +
 2. 包装袋长度: 每卷前后各空10-20个空格, 中间包装。
 3. 8 9 #
 : ; # < = > ? PS@ (A B 10⁶⁻⁹ C
 D E # < F > ? PET), 阻抗10⁶⁻¹¹ C
 G # < H F > +
 I) J 5 # 345*345*23MM
 I) J 5 # 345*345*35MM

THIS DOCUMENT IS THE SOLE PROPERTY OF BBJconn Technology Co.,Ltd. Corporation AND SHOULD NOT BE USED IN WHOLE OR IN PART WITHOUT PRIOR WRITTEN PERMISSION.		\$! c 2! • 2! 10 ° 9L€ œ (
PDWG.NO: 0013-1		.X: ±0.38 .XX: ±0.25 .XXX: ±0.13	X': ±3" .X': ±2" .XX': ±1"
APPD.	JM_Zheng	NAME: Çá'¥çª¹Ø 6x6x4.5 ìùÆ→ ²»Đâ, ÖµÆ→ 260G 9.2½Å	
CHKD.	LYX	PJ. NO.: TS.01.11-11-31-03	
DR.	SGF	SIZE: A4 DRW NO.:	
		FINISH: SEE NOTES MAT'L.: SEE NOTES	
		SCALE: N/A REV.: A0 UNIT: mm PAGE: 2/2	