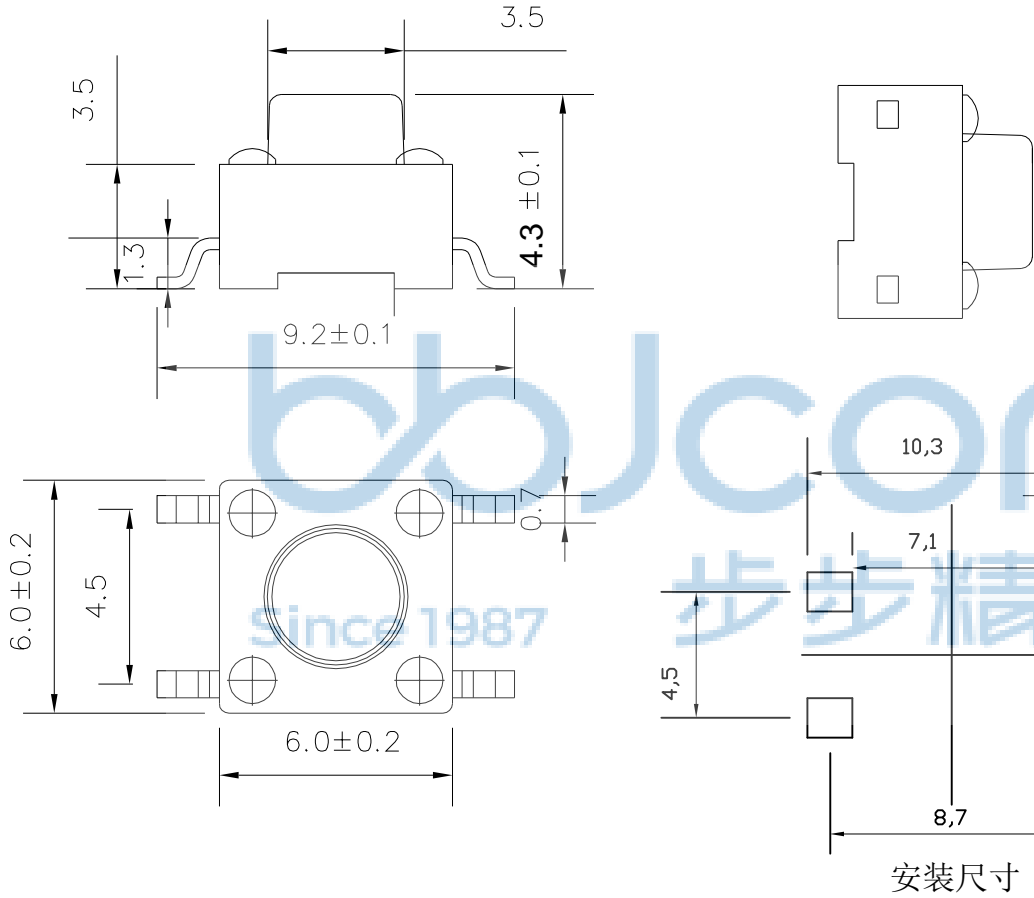


REV.	ECN NO.	CONTENT	DATE	ENGINEER
A0		Initial release	/	SGF

主要技术参数	1	操作行程	0.25±0.1mm
	2	额定电压、电流	DC12V/50mA
	3	接触电阻	30mΩ(max)
	4	绝缘电阻	100MΩ(mi n)
	5	耐 压	250V AC/1mi n
	6	动 作 力	160/260 ± 30gf
	7	使用寿命	80000次
	8	尺 寸	未注公差均按 GB/T1804—2000



4	弹片	1	不锈钢 SUS304	镀银/白色
3	按子	1	PPA	黑色
2	盖板	1	铁 SPCC	镀银/白色
1	底座	1	黄铜与 PPA (H65)	黑色与镀银
序号	名称	1	材料	镀涂/颜色



THIS DOCUMENT IS THE SOLE PROPERTY OF BBJconn Technology Co.,Ltd. Corporation AND SHOULD NOT BE USED IN WHOLE OR IN PART WITHOUT PRIOR WRITTEN PERMISSION.

PDWG.NO: 0013-1

APPD. JM\_Zheng

CHKD. LYX

DR. SGF

**深圳市步步精科技有限公司**

NAME: 轻触开关 6x6x4.3 贴片 不锈钢弹片 260G 9.2脚

PJ. NO.: TS.01.10-11-31-02

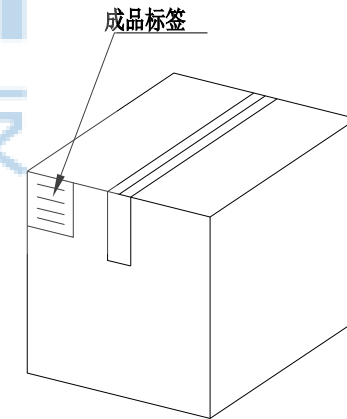
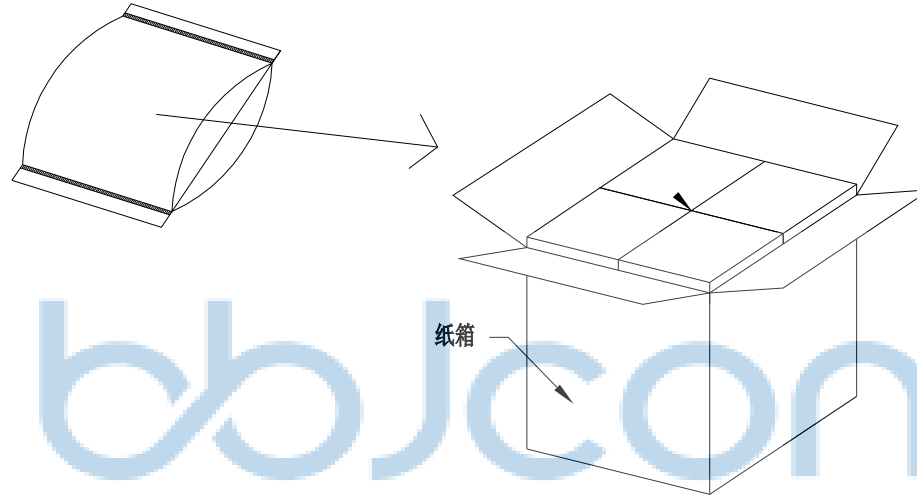
SIZE: A4 | DRW NO.:

FINISH: SEE NOTES | MAT'L.: SEE NOTES

SCALE: N/A | REV.: A0 | UNIT: mm | PAGE: 1/2

REV.	ECN NO	CONTENT	DATE	ENGINEER
A0		Initial release	/	SGF

PE袋规格:\*\*\*X\*\*\* (以实际出货为准)



1. 包装要求:

- 1.1 每PE袋包装1000pcs;
- 1.2 每1袋放一小纸盒;
- 1.3 每20个小纸盒放一个纸箱, 共计20000PCS
- 1.4 纸箱外贴上标签



THIS DOCUMENT IS THE SOLE PROPERTY OF BBJconn Technology Co.,Ltd. Corporation AND SHOULD NOT BE USED IN WHOLE OR IN PART WITHOUT PRIOR WRITTEN PERMISSION.		深圳市步步精科技有限公司 .X: ±0.38    X': ±3" .XX: ±0.25    X'': ±2" .XXX: ±0.13    XX': ±1"		NAME: 轻触开关 6x6x4.3 贴片 不锈钢弹片 260G 9.2脚	
APPD.	JM_Zheng	PJ. NO.: TS.01.10-11-31-02 SIZE: A4   DRW NO.:		FINISH: SEE NOTES    MAT'L.: SEE NOTES	
CHKD.	LYX	SCALE: N/A		REV.: A0	UNIT: mm
PDWG.NO:	0013-1	DR.	SGF	PAGE: 2/2	