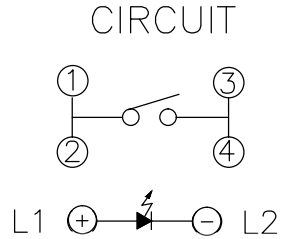
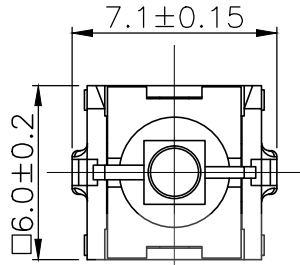
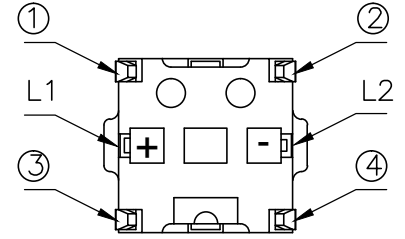
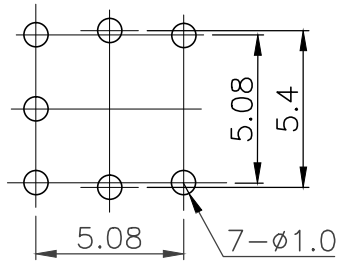


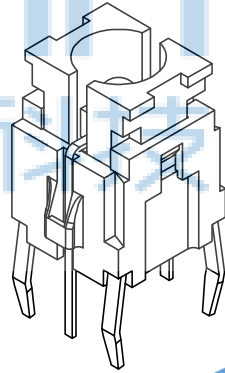
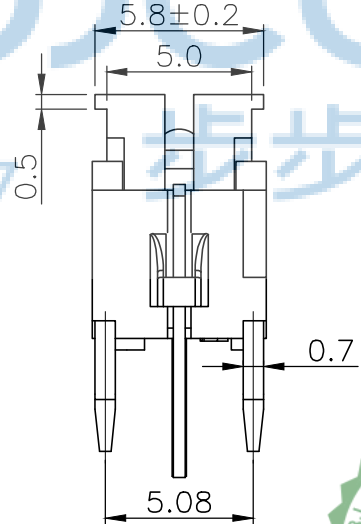
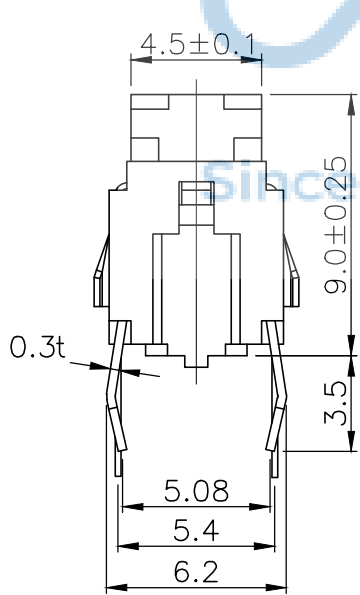
REV.	ECN NO	CONTENT	DATE	ENGINEER
A0		Initial release	/	SGF



P.C.B LAYOUT



- NOTES:
- 1.RATING: 12VDC 50mA
(额定电压电流: 12VDC 50mA)
 - 2.CONTACT RESISTANCE: 100mΩ Max
(接触电阻: 不超过 100毫欧)
 - 3.INSULATION RESISTANCE: 100MΩ 250VDC FOR 1MIN
(绝缘电阻: 最小 100MΩ 250VDC 1分钟)
 - 4.DIELECTRIC STRENGTH: 250VAC(50/60Hz) FOR 1MIN
(耐电压: 最小 250VAC 1分钟)
 - 5.LIFE TEST:200,000 CYCLES
(寿命测试: 20万次)
 - 6.OPERATION FORCE: 160±30g / 200±30g / 260±30g
(力度: 160±30g / 200±30g / 260±30g)
 - 7.TRAVEL: 0.25±0.1mm
(行程: 0.25±0.1mm)



5	LED	GaAsP/GaP
4	TERMINAL	Bronze Silver Plated
3	CONTACT	SUS
2	BUTTON	POM
1	HOUSING	PBT
ITEM	PART NAME	MATERIAL

LED COLOR								
Red	Yellow	Green	Blue	White	Pure Green	Red Yellow	Red Green	Red Blue

THIS DOCUMENT IS THE SOLE PROPERTY OF BBJconn Technology Co.,Ltd. Corporation AND SHOULD NOT BE USED IN WHOLE OR IN PART WITHOUT PRIOR WRITTEN PERMISSION.

PDWG.NO: 0294-2

APPD. JM_Zheng

CHKD. LYX

DR. SGF

深圳市步步精科技有限公司

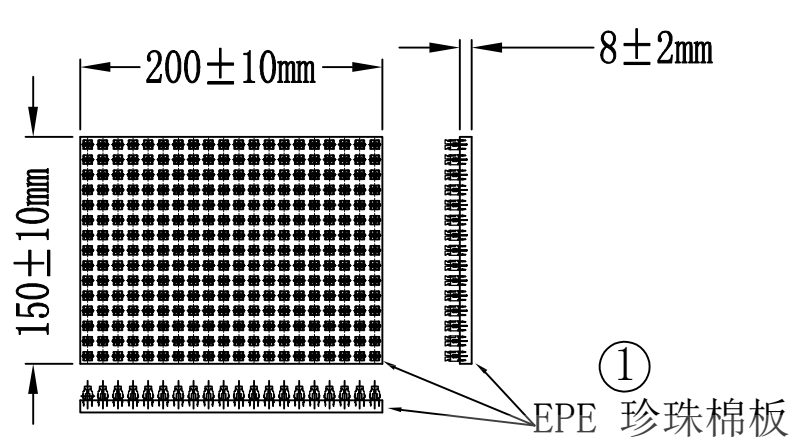
NAME: 轻触开关 6x6x9.0 直插 带灯 (红白双色TS1-00-00R/W) 200g 不锈钢弹片

PJ. NO.: TS.01.21-26-3Z-01

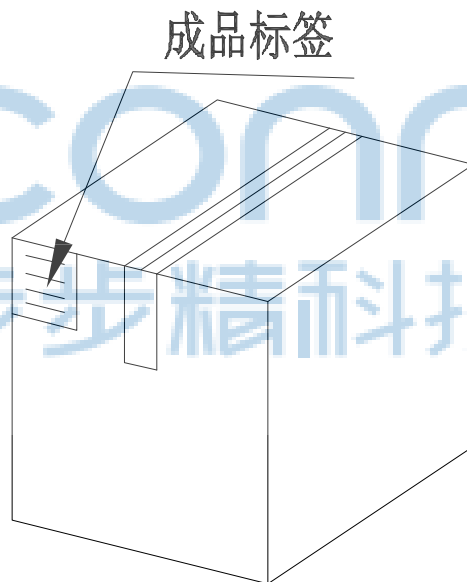
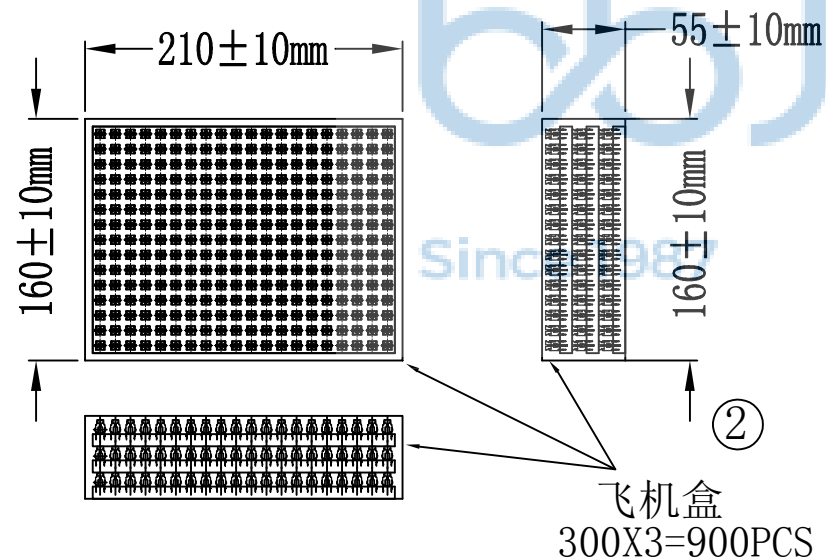
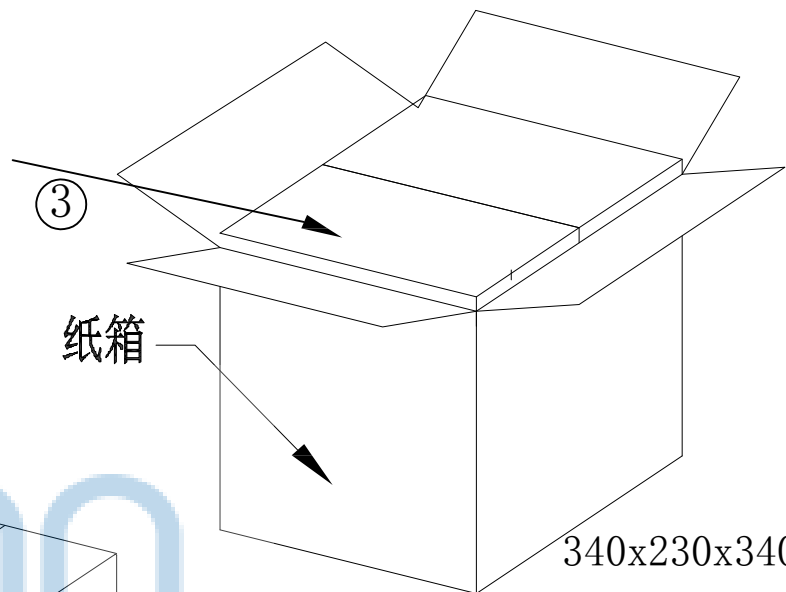
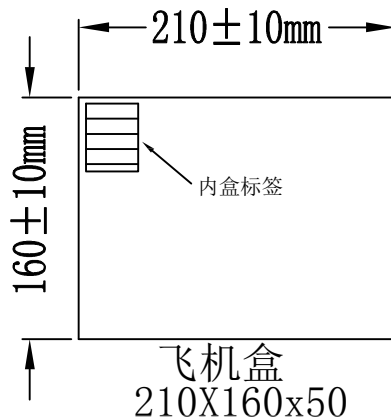
SIZE: A4 DRW NO.:

FINISH: SEE NOTES MAT'L.: SEE NOTES

SCALE: N/A REV.: A0 UNIT: mm PAGE: 1/2




20X15=300PCS



1. 包装要求:

- 1.1 每盒飞机盒包装900pcs;
- 1.2 每12盒放一箱, 共计10800PCS;
- 1.3 纸箱外贴上标签;

THIS DOCUMENT IS THE SOLE PROPERTY OF BBJconn Technology Co., Ltd. Corporation AND SHOULD NOT BE USED IN WHOLE OR IN PART WITHOUT PRIOR WRITTEN PERMISSION.		 深圳市步步精科技有限公司	
PDWG.NO: 0294-2		APPD. JM_Zheng CHKD. LYX DR. SGF	NAME: 轻触开关 6x6x9.0 直插 带灯 (红白双色TS1-00-00R/II) 200g 不锈钢弹片 PJ. NO.: TS.01.21-26-3Z-01 SIZE: A4 DRW NO.: FINISH: SEE NOTES MAT'L.: SEE NOTES SCALE: N/A REV.: A0 UNIT: mm PAGE: 2/2