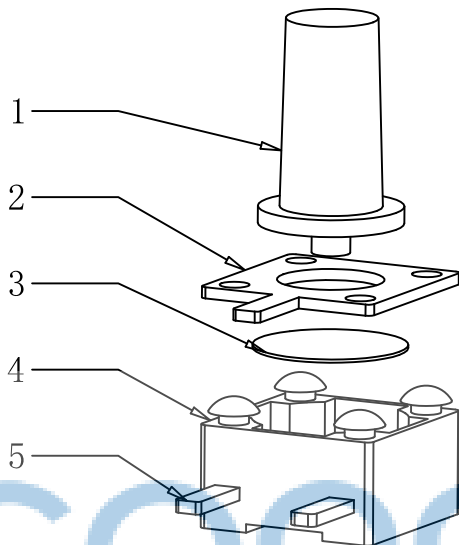
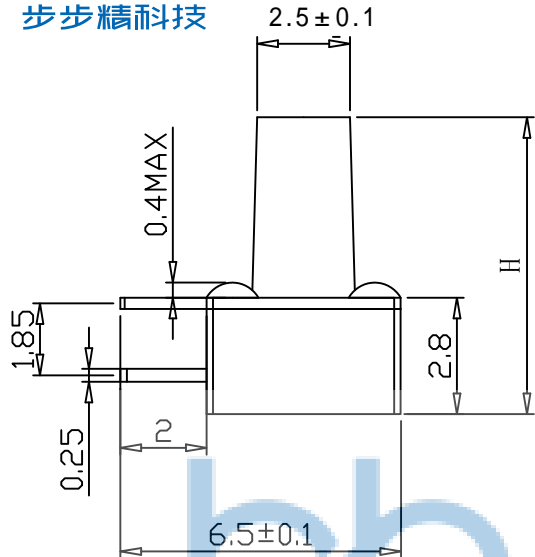
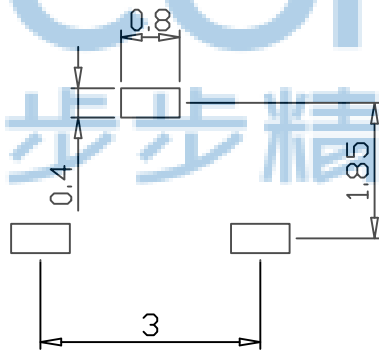
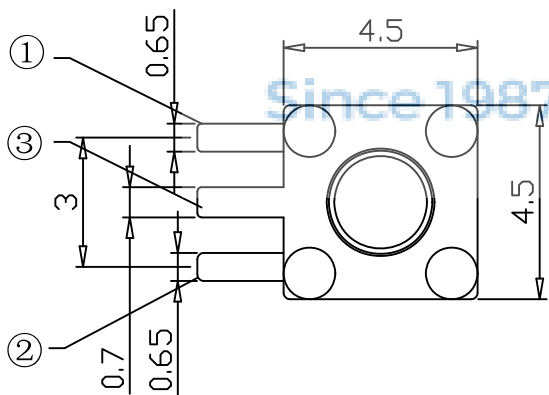


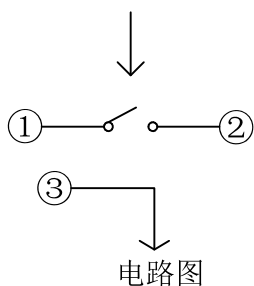
REV.	ECN NO.	CONTENT	DATE	ENGINEER
A0				



性能	
额定规格	DC12V/50mA
接触电阻	≤100mΩ
绝缘电阻	≥100MΩ
耐电压	AC250V/min
动作力	100/160/260gf



PCB线路板图



电路图



序号	产品名称	材料规格	表面处理 颜色	数量
1	按钮	PPA		1
2	盖板	铁	镀铜锡	1
3	簧片	不锈钢		1
4	接线片	铜	镀银	1
5	底座	PPA		1

THIS DOCUMENT IS THE SOLE PROPERTY OF BBJconn Technology Co., Ltd. Corporation AND SHOULD NOT BE USED IN WHOLE OR IN PART WITHOUT PRIOR WRITTEN PERMISSION.

PDWG.NO: 0472-1

深圳市步步精科技有限公司

NAME: 轻触开关 4.5x4.5x5 边三脚 不锈钢弹片 260gf 袋装

APPD. JM_Zheng

CHKD. TSP

DR. LYX

尺寸: .X: ±0.38, .XX: ±0.25, .XXX: ±0.13; X': ±3', X'': ±2', .XX': ±1'

PJ. NO.: TS.17.13-91-3Z-02

SIZE: A4

FINISH: SEE NOTES

SCALE: N/A

REV.: A3

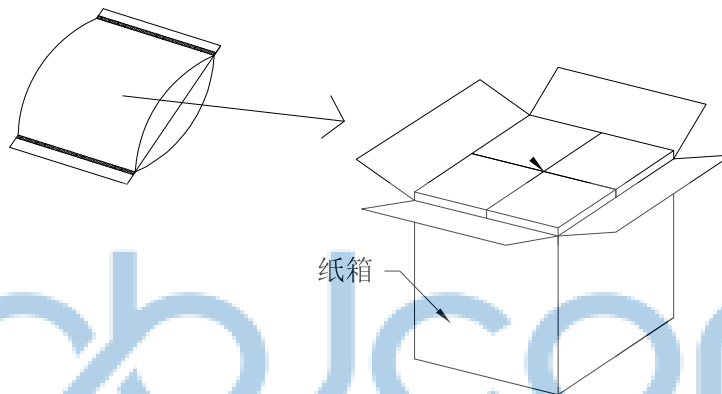
MAT'L.: SEE NOTES

UNIT: mm

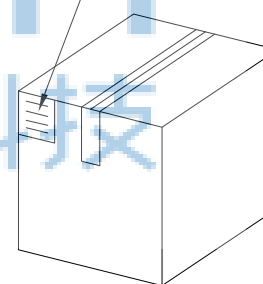
PAGE: 1/2

REV.	ECN NO	CONTENT	DATE	ENGINEER
A0				

PE袋规格: 260*185



成品标签



1. 包装要求:
- 1.1 每个PE袋包装1000PCS;
 - 1.2 每1袋放一小纸盒;
 - 1.3 每20个小纸盒放一个纸箱, 共计20000PCS;
 - 1.4 纸箱外贴上标签



THIS DOCUMENT IS THE SOLE PROPERTY OF BBJconn Technology Co., Ltd. Corporation AND SHOULD NOT BE USED IN WHOLE OR IN PART WITHOUT PRIOR WRITTEN PERMISSION.		深圳市步步精科技有限公司 .X: ±0.38 X: ±3' .XX: ±0.25 X: ±2' .XXX: ±0.13 .XX: ±1'		NAME: 轻触开关 4.5x4.5x5 边三脚 不锈钢弹片 260gf 袋装	
APPD.	JM_Zheng	PJ. NO.: TS.17.13-91-3Z-02 SIZE: A4 DRW NO.:		FINISH: SEE NOTES MAT'L.: SEE NOTES	
CHKD.	TSP	SCALE: N/A		REV.: A3	UNIT: mm
PDWG.NO:	0472-1	DR.	LYX	PAGE: 2/2	