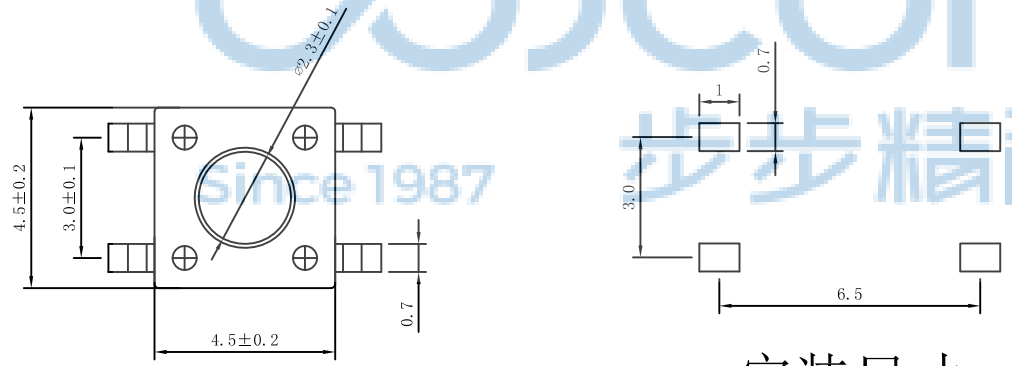
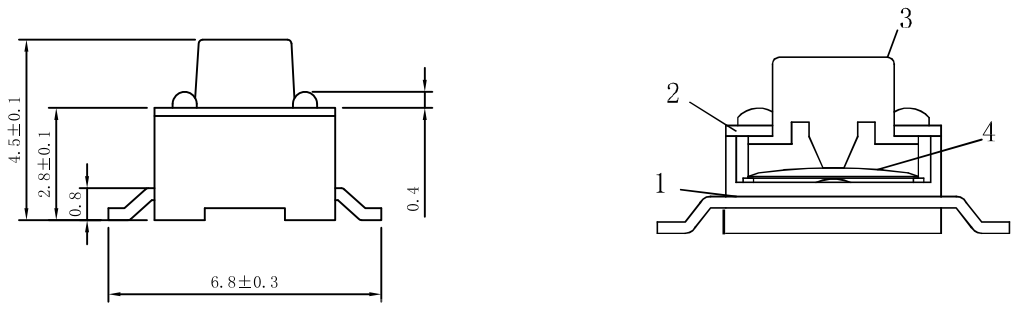


REV.	ECN NO	CONTENT	DATE	ENGINEER
A0		Initial release	/	SGF

主要技术参数	1	操作行程	0.25±0.1mm
	2	额定电压、电流	DC12V/50mA
	3	接触电阻	100mΩ(max)
	4	绝缘电阻	100MΩ(min)
	5	耐压	250V AC/1min
	6	动作力	160/260±30gf
	7	使用寿命	80000次
	8	尺寸	未注公差均按 GB/T1804-2000



安装尺寸

序号	名称	数量	材料	镀涂/颜色
1	底座	1	黄铜与PPA	黑色与镀银
2	盖板	1	铁皮	镀银
3	按钮	1	PPA	黑色
4	弹片	1	不锈钢	镀银/白色



THIS DOCUMENT IS THE SOLE PROPERTY OF BBJconn Technology Co., Ltd. Corporation AND SHOULD NOT BE USED IN WHOLE OR IN PART WITHOUT PRIOR WRITTEN PERMISSION.

PDWG.NO: 0013-1

DR. SGF

APPD. JM_Zheng

CHKD. LYX

NAME: 轻触开关 4.5x4.5x4.5 贴片 不锈钢弹片 160G 铁盖

PJ. NO.: TS.17.11-12-31-01

SIZE: A4 DRW NO.:

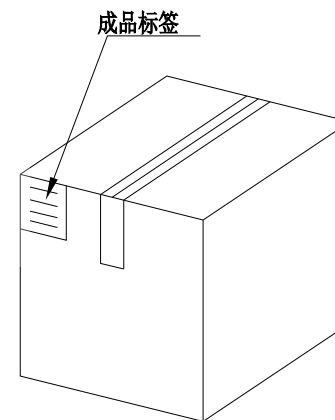
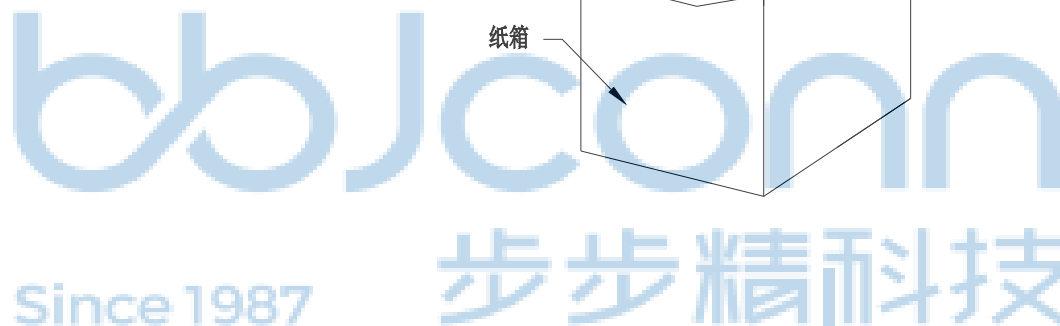
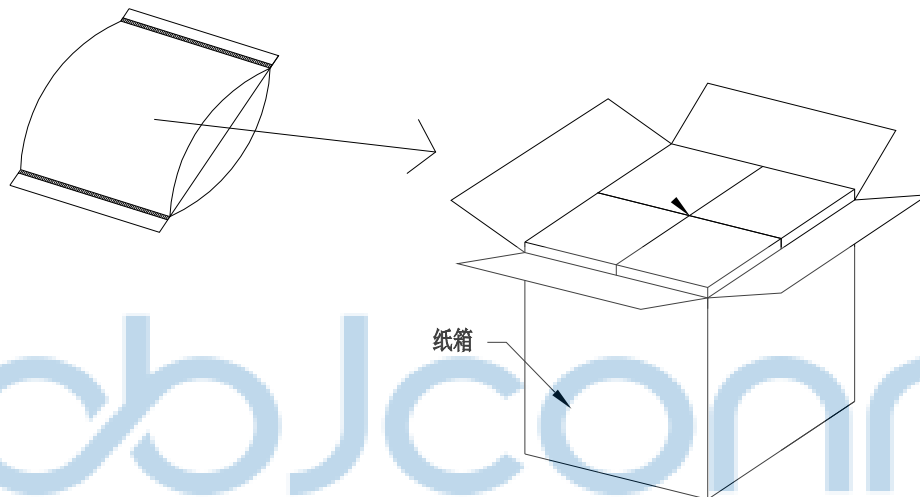
FINISH: SEE NOTES MAT'L.: SEE NOTES

SCALE: N/A REV.: A0 UNIT: mm PAGE: 1/2

深圳市步步精科技有限公司

REV.	ECN NO	CONTENT	DATE	ENGINEER
A0		Initial release	/	SGF

PE袋规格:***X*** (以实际出货为准)



1. 包装要求:
- 1.1 每PE袋包装1000pcs;
 - 1.2 每1袋放一小纸盒;
 - 1.3 每20个小纸盒放一个纸箱, 共计20000PCS
 - 1.4 纸箱外贴上标签



THIS DOCUMENT IS THE SOLE PROPERTY OF BBJconn Technology Co.,Ltd. Corporation AND SHOULD NOT BE USED IN WHOLE OR IN PART WITHOUT PRIOR WRITTEN PERMISSION.		深圳市步步精科技有限公司 .X: ±0.38 .XX: ±0.25 .XXX: ±0.13 X': ±3" X'': ±2" XX': ±1"	
APPD.	JM_Zheng	NAME: 轻触开关 4.5x4.5x4.5 贴片 不锈钢弹片 160G 铁盖	
CHKD.	LYX	PJ. NO.: TS.17.11-12-31-01	
DR.	SGF	SIZE: A4 DRW NO.:	
PDWG.NO:	0013-1	FINISH: SEE NOTES MAT'L.: SEE NOTES	
		SCALE: N/A REV.: A0 UNIT: mm PAGE: 2/2	