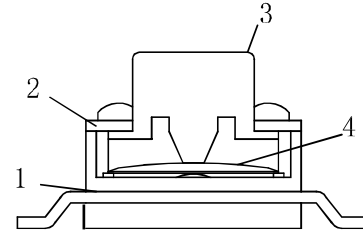
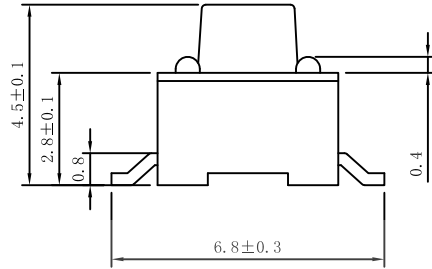
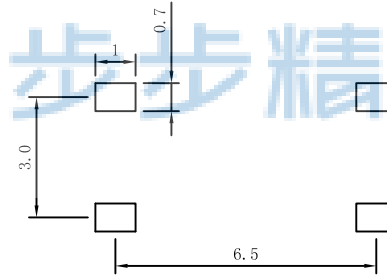
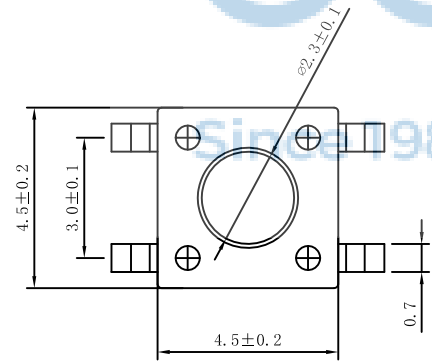


REV.	ECN NO.	CONTENT	DATE	ENGINEER
A0		Initial release	/	SGF



主要技术参数	1	操作行程	0.25±0.1mm
	2	额定电压、电流	DC12V/50mA
	3	接触电阻	100mΩ (max)
	4	绝缘电阻	100MΩ (min)
	5	耐压	250V AC/1min
	6	动作力	160/260±30gf
	7	使用寿命	80000次
	8	尺寸	未注公差均按 GB/T1804-2000



安装尺寸

序号	名称	数量	材料	镀涂/颜色
1	底座	1	黄铜与PPA	黑色与镀银
2	盖板	1	铁皮	镀银
3	按钮	1	PPA	黑色
4	弹片	1	不锈钢	镀银/白色



THIS DOCUMENT IS THE SOLE PROPERTY OF BBJconn Technology Co., Ltd. Corporation AND SHOULD NOT BE USED IN WHOLE OR IN PART WITHOUT PRIOR WRITTEN PERMISSION.

PDWG.NO: 0013-1

APPD. JM_Zheng

CHKD. LYX

DR. SGF

深圳市步步精科技有限公司

NAME: 轻触开关 4.5x4.5x4.5 贴片 不锈钢弹片 260G 铁盖

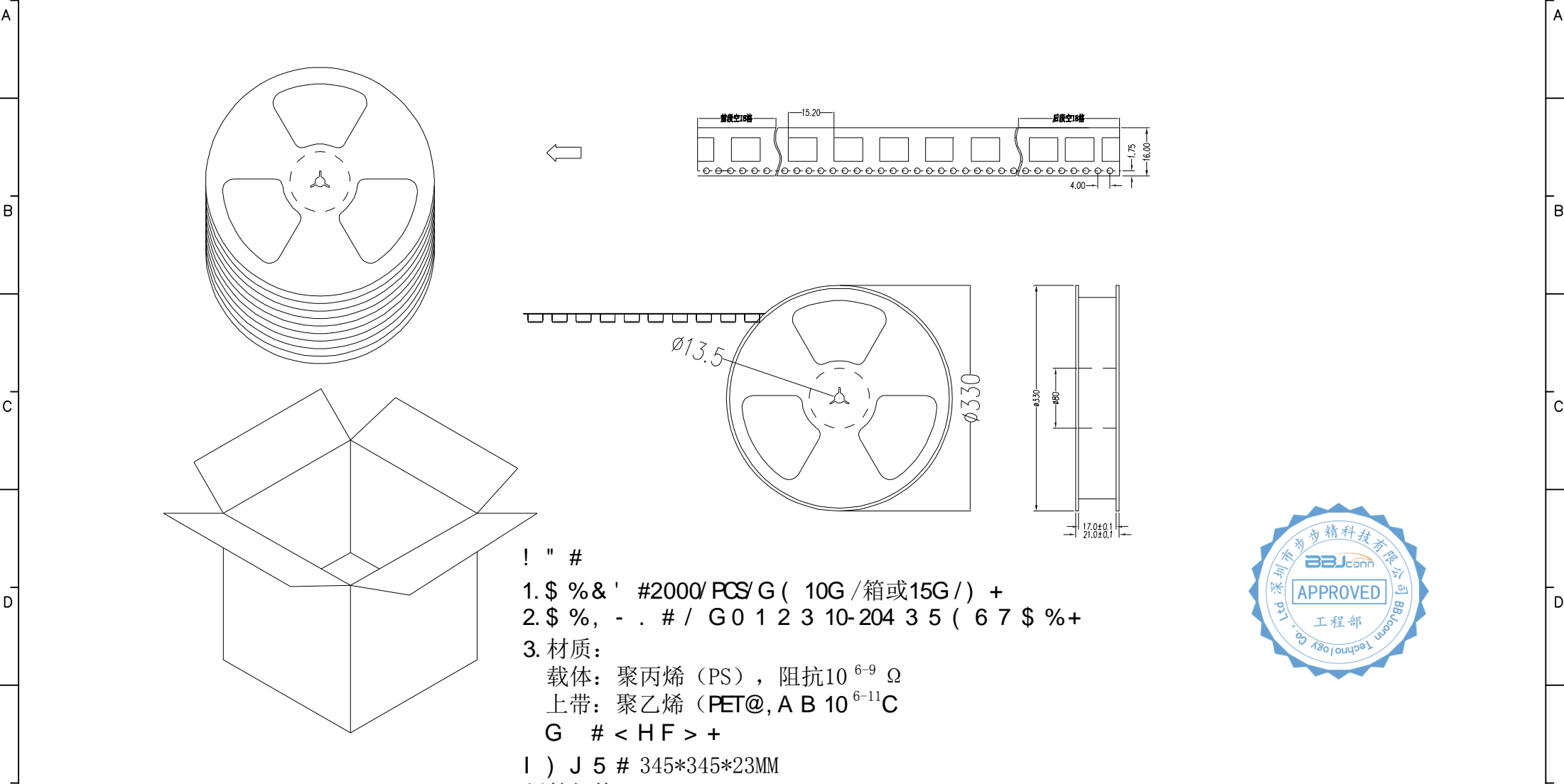
PJ. NO.: TS.17.11-11-31-01

SIZE: A4 DRW NO.:

FINISH: SEE NOTES MAT'L.: SEE NOTES

SCALE: N/A REV.: A0 UNIT: mm PAGE: 1/2

REV.	ECN NO	CONTENT	DATE	ENGINEER
A0		Initial release	/	SGF



- ! " #
1. \$ % & ' #2000/ PCS/ G (10G /箱或15G /) +
 2. \$ % , - . # / G 0 1 2 3 10-204 3 5 (6 7 \$ % +
 3. 材质:
 载体: 聚丙烯 (PS), 阻抗 $10^{6-9} \Omega$
 上带: 聚乙烯 (PET@, A B $10^{6-11} C$
 G # < HF > +
 l) J 5 # 345*345*23MM
 纸箱规格: 345*345*35MM



THIS DOCUMENT IS THE SOLE PROPERTY OF BBJconn Technology Co.,Ltd. Corporation AND SHOULD NOT BE USED IN WHOLE OR IN PART WITHOUT PRIOR WRITTEN PERMISSION.		\$! c 2! •! •2! 0 ° 9L€ œ (
PDWG.NO: 0013-1	DR. SGF	.X: ±0.38 .XX: ±0.25 .XXX: ±0.13	X': ±3" .X": ±2" .XX": ±1"
		NAME: Ǫá'¥; a1Ø 4.5x4.5x4.5 ìùÆ- 2»Đã, Öµ-Æ- 260G ìú, Ç	PJ. NO.: TS.17.11-11-31-01
		APPD. JM_Zheng	SIZE: A4 DRW NO.:
		CHKD. LYX	FINISH: SEE NOTES MAT'L.: SEE NOTES
		SCALE: N/A	REV.: A0 UNIT: mm PAGE: 2/2