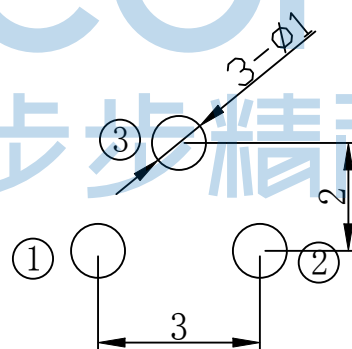
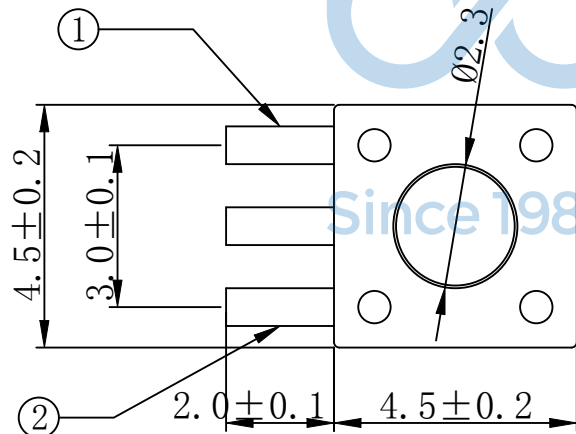
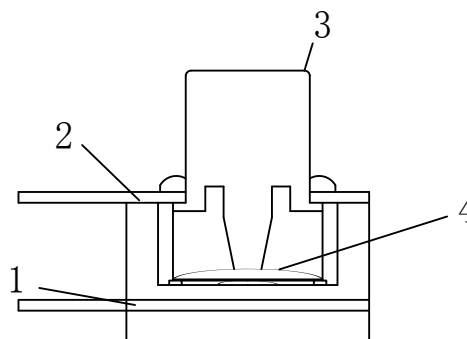
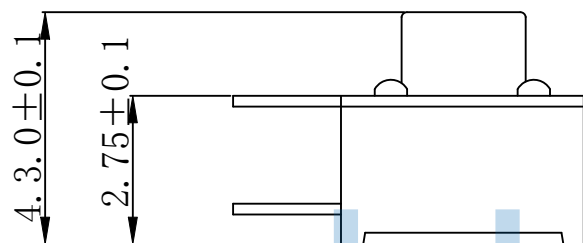


REV.	ECN NO.	CONTENT	DATE	ENGINEER
AO		Initial Release	/	LHC

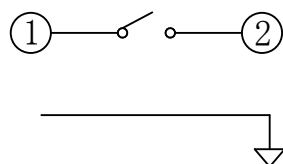
主要技术参数	1	操作行程	0.25±0.1mm
	2	额定电压、电流	DC12V/50mA
	3	接触电阻	30mΩ (max)
	4	绝缘电阻	100MΩ (min)
	5	耐压	250V AC/1min
	6	动作力	160/260±30gf
	7	使用寿命	80000次
	8	尺寸	未注公差均按 GB/T1804-2000



安装尺寸



4	弹片	1	不锈钢	镀银/白色
3	按钮	1	PPA	黑色
2	盖板	1	铁/铜	镀银
1	底座	1	黄铜与PPA	黑色与镀银
序号	名称	数量	材料	镀涂/颜色



电路图

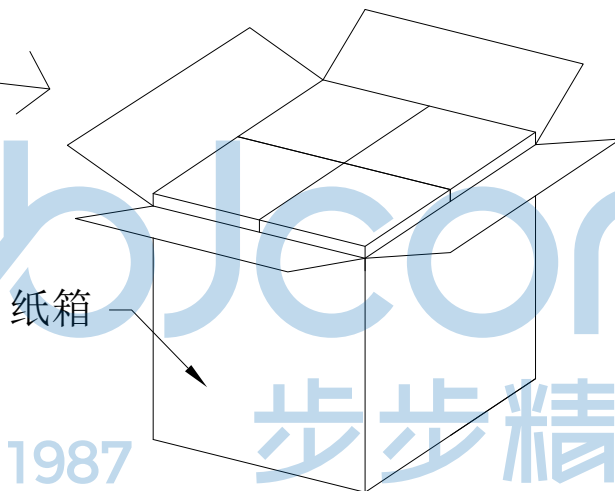
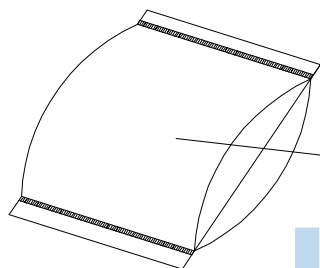


THIS DOCUMENT IS THE SOLE PROPERTY OF BBJconn Technology Co., Ltd. CORPORATION AND SHOULD NOT BE USED IN WHOLE OR IN PART WITHOUT PRIOR WRITTEN PERMISSION.  
PDWG.NO: 0013-1

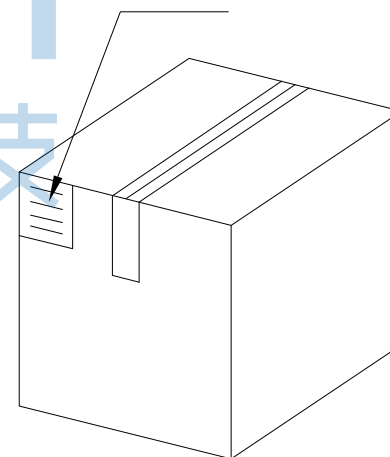
深圳市步步精科技有限公司			
.X: ±0.38 X': ±3" .XX: ±0.25 X'': ±2" .XXX: ±0.13 XX': ±1"		NAME: 轻触开关 4.5x4.5x4.3 边三脚 不锈钢弹片 260G 铜盖 袋装	
APPD.	JM_Zheng	PJ. NO.: TS.17.10-91-31-03	
CHKD.	LYX	SIZE: A4 DRW NO.:	
DR.	LHC	FINISH: SEE NOTES	MAT'L.: SEE NOTES
		SCALE: N/A	REV.: AO UNIT: mm PAGE: 1/2

REV.	ECN NO	CONTENT	DATE	ENGINEER
AO		Initial Release	/	LHC

PE袋规格: 260\*185



成品标签



1. 包装要求:

- 1.1 每个PE袋包装1000pcs;
- 1.2 每1袋放一小纸盒;
- 1.3 每20个小纸盒放一个纸箱, 共计20000pcs;
- 1.4 纸箱外贴上标签

THIS DOCUMENT IS THE SOLE PROPERTY OF BBJconn Technology Co.,Ltd. Corporation AND SHOULD NOT BE USED IN WHOLE OR IN PART WITHOUT PRIOR WRITTEN PERMISSION.		深圳市步步精科技有限公司 .X: ±0.38    .X': ±3" .XX: ±0.25    .X": ±2" .XXX: ±0.13    .XX': ±1"		NAME: 轻触开关 4.5x4.5x4.3 边三脚 不锈钢弹片 260G 铜盖 袋装	
APPD.	JM_Zheng	PJ. NO.: TS.17.10-91-31-03 SIZE: A4   DRW NO.:		FINISH: SEE NOTES   MAT'L.: SEE NOTES	
CHKD.	LYX	SCALE: N/A		REV.: AO	UNIT: mm
PDWG.NO:	0013-1	DR.	LHC	PAGE: 2/2	