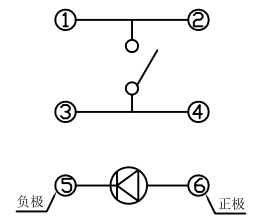
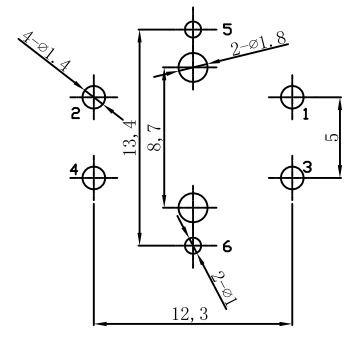
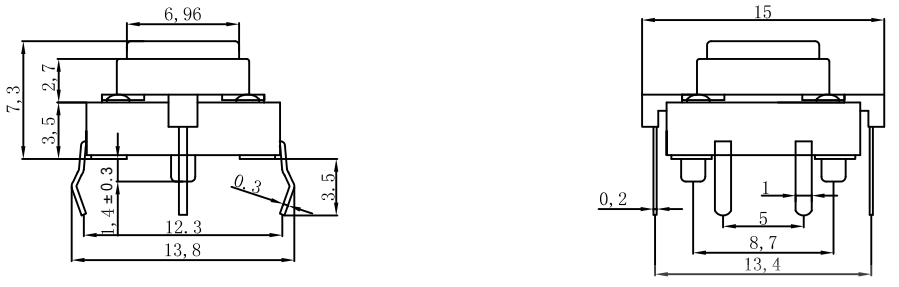


REV.	ECN NO.	CONTENT	DATE	ENGINEER
A0		Initial release	/	SGF

### 技术参数

1. 额定电流: 50mA 12V DC
2. 接触电阻: 100毫欧
3. 行程: 0.5±0.1mm
4. 绝缘电阻: 100兆欧
5. 抗电强度: 100v 50Hz 1Min

按力	160±30gf	260±50gf
寿命	5万次	5万次



电路图

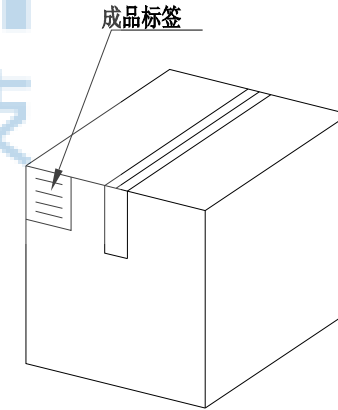
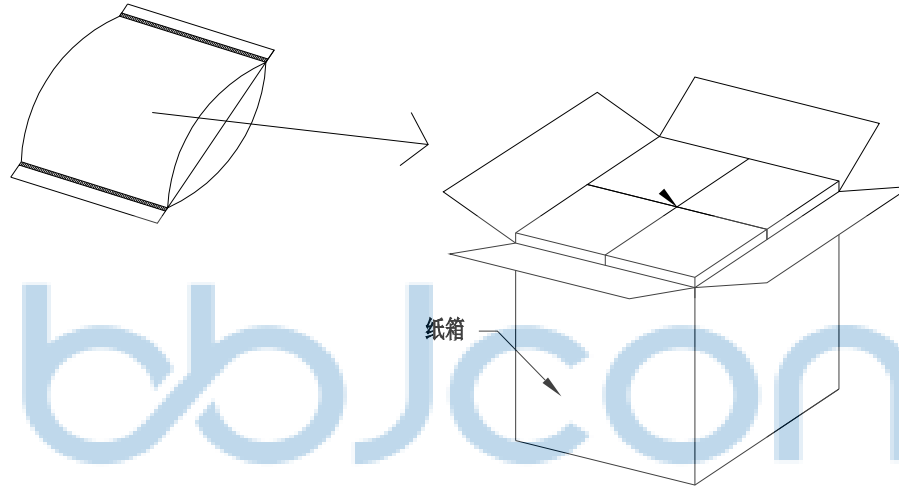


5	LED(发光二极管)		1	
4	手柄	PA66	1	尼龙
3	簧片	301	1	不锈钢覆银
2	底座	PA66	1	尼龙
1	接线片	H65T t=0.3	1	黄铜
序号	名称	材料	数量	备注

THIS DOCUMENT IS THE SOLE PROPERTY OF BBJconn Technology Co., Ltd. Corporation AND SHOULD NOT BE USED IN WHOLE OR IN PART WITHOUT PRIOR WRITTEN PERMISSION.		PDWG.NO: 0415-1		DR. SGF		APPD. JM_Zheng		CHKD. LYX		FINISH: SEE NOTES		MAT'L.: SEE NOTES		SCALE: N/A		REV.: A0		UNIT: mm		PAGE: 1/2	
<b>深圳市步步精科技有限公司</b>										NAME: 轻触开关 12x12x7.3 四脚弯插 带翠绿LED灯 透明按键 不锈钢弹片 260G PJ. NO.: TS.14.61-21-3Z-01 SIZE: A4   DRW NO.: UNIT: mm											

REV.	ECN NO	CONTENT	DATE	ENGINEER
A0		Initial release	/	SGF

PE袋规格:\*\*\*X\*\*\* (以实际出货为准)



1. 包装要求:

- 1.1 每PE袋包装500PCS;
- 1.2 每1袋放一小纸盒;
- 1.3 每20个小纸盒放一个纸箱, 共计10000PCS
- 1.4 纸箱外贴上标签



THIS DOCUMENT IS THE SOLE PROPERTY OF BBJconn Technology Co.,Ltd. Corporation AND SHOULD NOT BE USED IN WHOLE OR IN PART WITHOUT PRIOR WRITTEN PERMISSION.		深圳市步步精科技有限公司 .X: ±0.38    X': ±3" .XX: ±0.25    .X": ±2" .XXX: ±0.13    .XX": ±1"		NAME: 轻触开关 12x12x7.3 四脚弯插 带翠绿LED灯 透明按键 不锈钢弹片 260G PJ. NO.: TS.14.61-21-3Z-01 SIZE: A4   DRW NO.: FINISH: SEE NOTES   MAT'L.: SEE NOTES SCALE: N/A   REV.: A0   UNIT: mm   PAGE: 2/2	
APPD.	JM_Zheng				
CHKD.	LYX				
PDWG.NO:	0415-1	DR.	SGF		