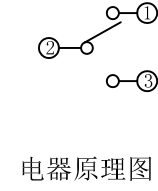
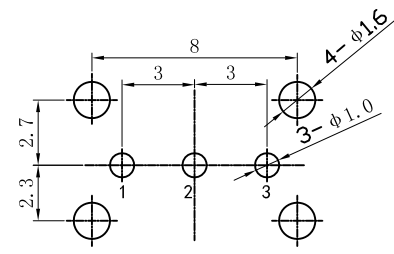
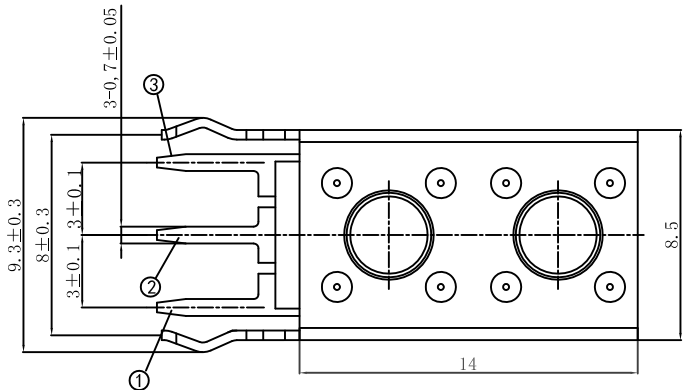


REV.	ECN NO	CONTENT	DATE	ENGINEER
A0		Initial release	/	SGF

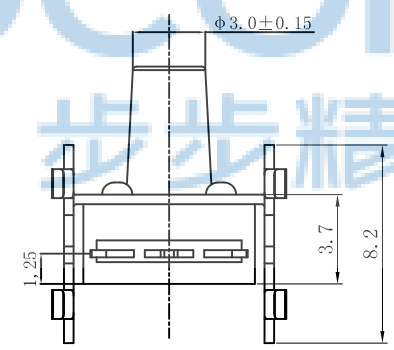
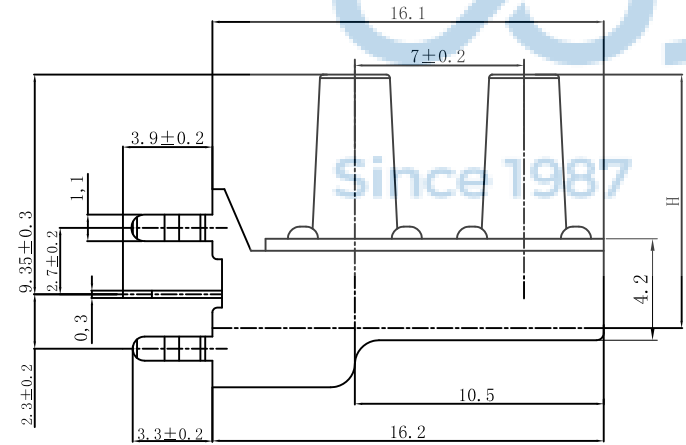
### 技术参数

1. 额定电流: 50mA 12V DC
2. 接触电阻: 100毫欧
3. 行程: 0.25±0.05mm
4. 绝缘电阻: 100兆欧
5. 耐电压: 250v 50Hz 1Min

按力	160±30gf	260±50gf
寿命	10万次	10万次



PCB参考图



H	
4.3	
6.0	
8.0	
9.0	
10.0	
10.5	
12.0	
14.0	
16.8	
19.0	

按钮高度可以按客户要求订制



E	按钮	PA66	1	清洗
D	支架	铁	1	镀铜锡
C	簧片	不锈钢覆银	1	
B	基座	PA66	1	清洗
A	卡件	黄铜	1	镀银
序号	名称	材料	数量	备注



THIS DOCUMENT IS THE SOLE PROPERTY OF BBJconn Technology Co.,Ltd. Corporation AND SHOULD NOT BE USED IN WHOLE OR IN PART WITHOUT PRIOR WRITTEN PERMISSION.

PDWG.NO: 0415-1

DR. SGF

APPD. JM\_Zheng

CHKD. LYX

NAME: 轻触开关 6x6x10.5 双支架 不锈钢弹片 260GF

PJ. NO.: TS.01.24-31-3Z-01

SIZE: A4 | DRW NO.:

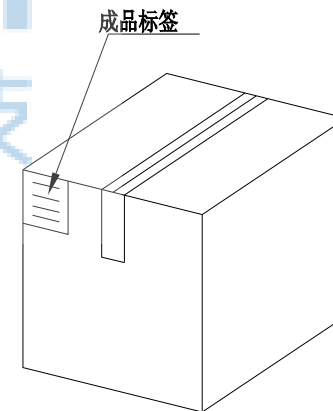
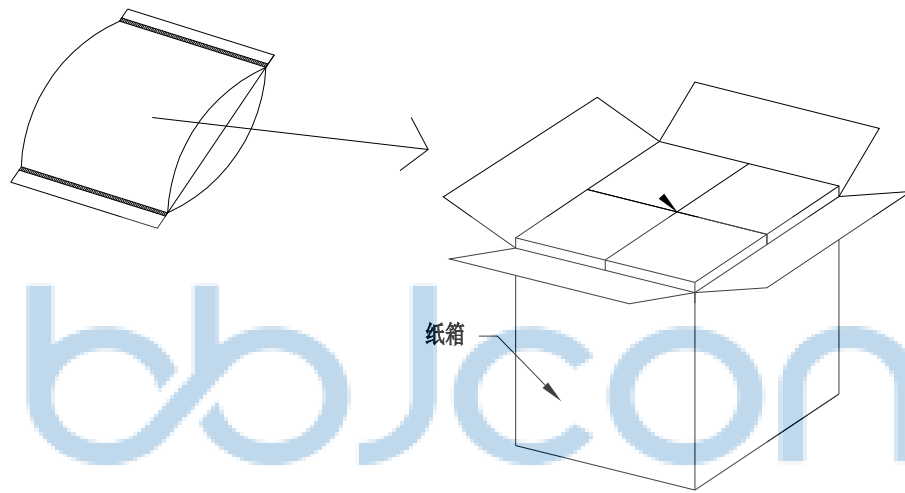
FINISH: SEE NOTES | MAT'L.: SEE NOTES

SCALE: N/A | REV.: A0 | UNIT: mm | PAGE: 1/2

深圳市步步精科技有限公司

REV.	ECN NO	CONTENT	DATE	ENGINEER
A0		Initial release	/	SGF

PE袋规格:\*\*\*X\*\*\* (以实际出货为准)



1. 包装要求:

- 1.1 每PE袋包装1000pcs;
- 1.2 每1袋放一小纸盒;
- 1.3 每20个小纸盒放一个纸箱, 共计20000PCS
- 1.4 纸箱外贴上标签



THIS DOCUMENT IS THE SOLE PROPERTY OF BBJconn Technology Co.,Ltd. Corporation AND SHOULD NOT BE USED IN WHOLE OR IN PART WITHOUT PRIOR WRITTEN PERMISSION.		深圳市步步精科技有限公司 .X: ±0.38 X': ±3' NAME: 轻触开关 6x6x10.5 双支架 不锈钢弹片 260GF .XX: ±0.25 .X': ±2' .XXX: ±0.13 .XX': ±1'	
APPD.	JM_Zheng	PJ. NO.: TS.01.24-31-3Z-01 SIZE: A4 DRW NO.:	
CHKD.	LYX		
PDWG.NO:	0415-1	DR.	SGF
		FINISH: SEE NOTES	MAT'L.: SEE NOTES
		SCALE: N/A	REV.: A0 UNIT: mm PAGE: 2/2