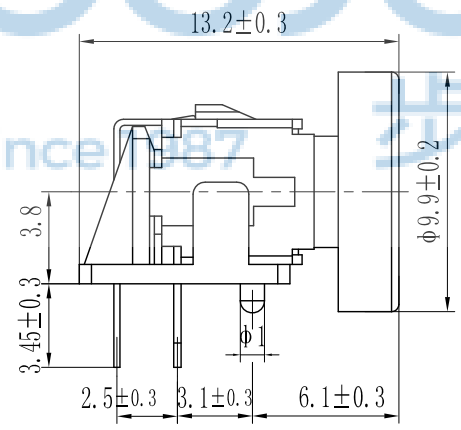
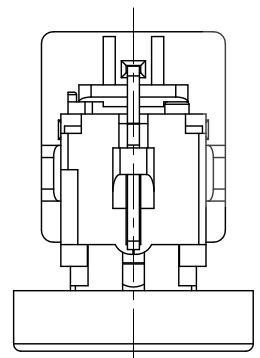
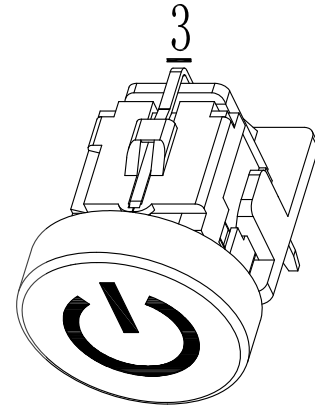
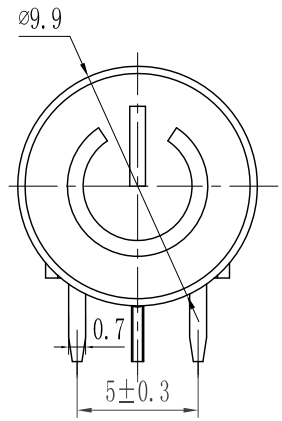
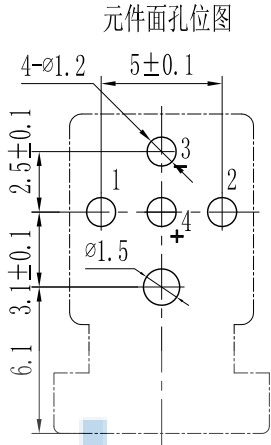
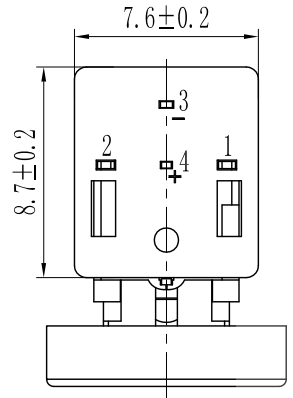
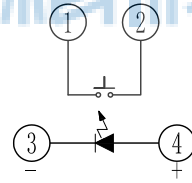


REV.	ECN NO	CONTENT	DATE	ENGINEER
A0		Initial release	/	SGF



电原理图



7	∅9.9小圆帽	ABS	1	银白	
6	定位板	PA66	1	黑色	
5	LED 灯		1	透明	
4	按钮	PA66	1	瓷白	
3	弹片	不锈钢	1	Ag	
2	塑座	PA66	1	黑色	
1	卡件	H62	1	Ag	
序号	名称	材料	数量	镀层/颜色	备注



轻触开关主要技术指标: Main Specifications:

气候等级 Climate Grade	额定值 Rated Values	接触电阻 Contact Resistance	耐电压 Dielectric Strength	绝缘电阻 Insulation Resistance	动作力 Operating Force	寿命 Life	盐雾试验 Salt mist. Test
-25℃ 至 +75℃	30V DC, 30mA	≤0.05 Ω	250V AC	≥100M Ω	260gf±50gf	10W times	12±1 hours.

THIS DOCUMENT IS THE SOLE PROPERTY OF BBJconn Technology Co., Ltd. Corporation AND SHOULD NOT BE USED IN WHOLE OR IN PART WITHOUT PRIOR WRITTEN PERMISSION.

PDWG.NO: 0436-1

DR. SGF

APPD. JM_Zheng

CHKD. LYX

NAME: 轻触开关 KFCA0670-21 7.6x13.2L 瓷白钮 直径9.9黑漆帽 (0669) 绿灯 帽雕“下电源”符号 侧插 不锈钢 260gf

PJ. NO.: TS.43.73-41-3Z-02

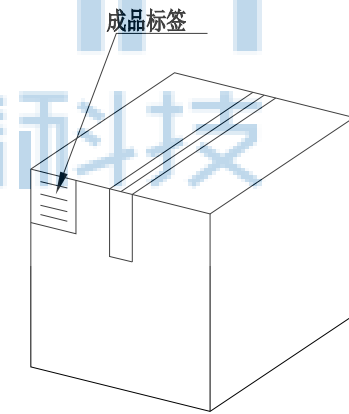
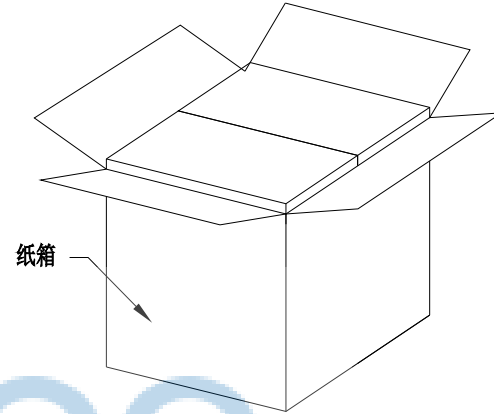
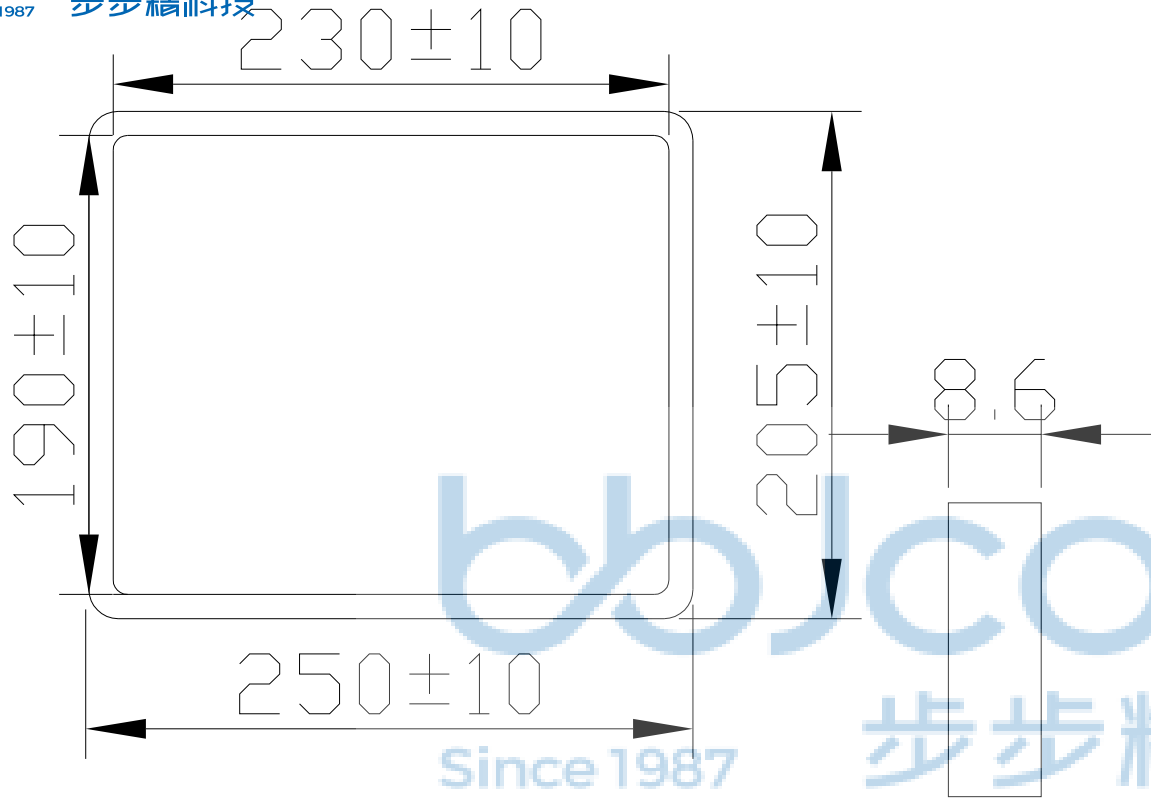
SIZE: A4 | DRW NO.:

FINISH: SEE NOTES | MAT'L.: SEE NOTES

SCALE: N/A | REV.: A0 | UNIT: mm | PAGE: 1/2

深圳市步步精科技有限公司

REV.	ECN NO	CONTENT	DATE	ENGINEER
A0		Initial release	/	SGF



纸箱规格: 350*210*290

1. 包装要求:
- 1.1 每盒吸塑盒包装200 pcs;
 - 1.2 每20盘放一箱, 共计4000PCS;
 - 1.3 纸箱外贴上标签



THIS DOCUMENT IS THE SOLE PROPERTY OF BBJconn Technology Co.,Ltd. Corporation AND SHOULD NOT BE USED IN WHOLE OR IN PART WITHOUT PRIOR WRITTEN PERMISSION.		深圳市步步精科技有限公司 .X: ±0.38 .X': ±3" .XX: ±0.25 .X": ±2" .XXX: ±0.13 .XX': ±1"	
APPD.	JM_Zheng	NAME: 轻触开关 KFCA0670-21 7.6x13.2L 瓷白钮 直径9.9黑漆帽 (0669) 绿灯 帽雕“下电源”符号 侧插 不锈钢 260gf	
CHKD.	LYX	PJ. NO.: TS.43.73-41-3Z-02 SIZE: A4 DRW NO.:	
PDWG.NO:	0436-1	DR.	SGF
		FINISH: SEE NOTES	MAT'L.: SEE NOTES
		SCALE: N/A	REV.: A0 UNIT: mm PAGE: 2/2