

带灯轻触主要技术指标: Illuminated Tact Switch Main Specifications:

气候等级 Climate Grade	额定值 Rated Values	接触电阻 Contact Resistance	耐电压 Dielectric Strength	绝缘电阻 Insulation Resistance	动作力 Operating Force	寿命 Life	盐雾试验 Salt mist. Test
-25℃ 至 +75℃	30V DC, 30mA	≤0.05Ω	250V AC	≥100MΩ	▶260gf±50gf	10W times	12±1 hours.
-25℃ 至 +75℃	30V DC, 30mA	≤0.05Ω	250V AC	≥100MΩ	160gf±50gf	10W times	12±1 hours.

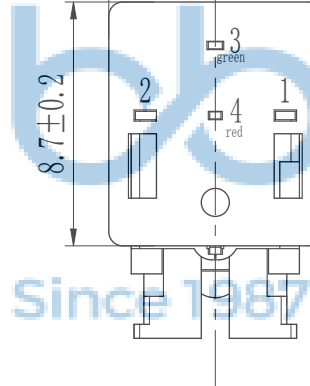
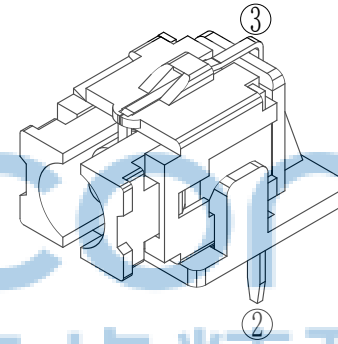
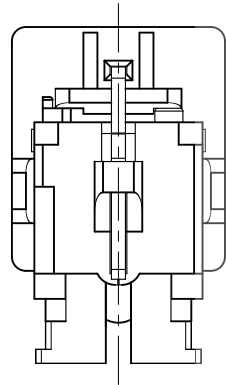
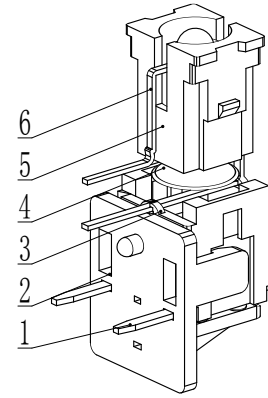
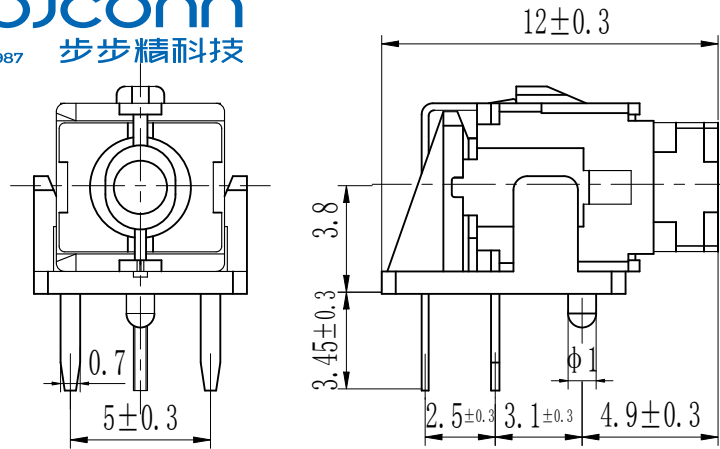
灯光选型表

灯光	灯光代码	电原理图
白光	W white	
红光	R Red	
绿光	G Green	
黄光	Y Yellow	
蓝光	BL Blue	
...

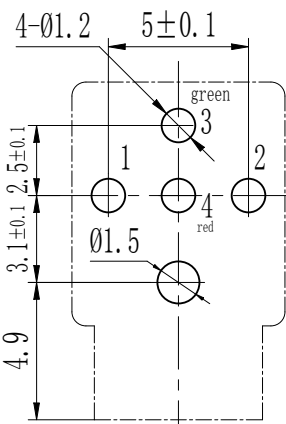


序号	名称	材料	数量	镀层/颜色	备注
6	LED 灯		1	透明	白光
5	按钮	PPA	1	瓷白	借A0630
4	弹片	不锈钢	1	Ag	借A0630
3	塑座	PPA	1	黑色	借A0630
2	定位板	PPA	1	黑色	A0670
1	卡件	H62	1	Ag	借A0630

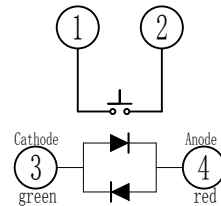
THIS DOCUMENT IS THE SOLE PROPERTY OF BBJconn Technology Co., Ltd. Corporation AND SHOULD NOT BE USED IN WHOLE OR IN PART WITHOUT PRIOR WRITTEN PERMISSION.		深圳市步步精科技有限公司	
.X: ±0.38 .XX: ±0.25 .XXX: ±0.13		NAME: 轻触开关 7.6x8.7x12 侧插 白色单色灯 不锈钢弹片 260GF 瓷白按钮 (A0670-19-12126010-W)	
APPD.	JM_Zheng	PJ. NO.: TS.43.27-21-3Z-01	
CHKD.	LYX	SIZE: A4 DRW NO.:	
DR.	TSP	FINISH: SEE NOTES MAT'L.: SEE NOTES	
PDWG.NO:	0436-1	SCALE: N/A	REV.: AO UNIT: mm PAGE: 1/2



元件面孔位图

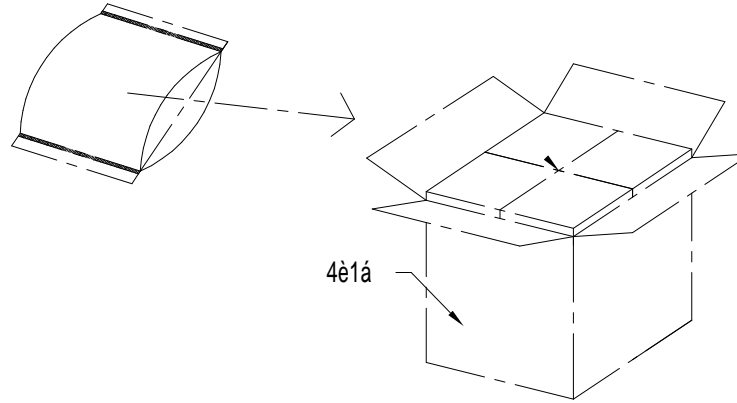


电原理图



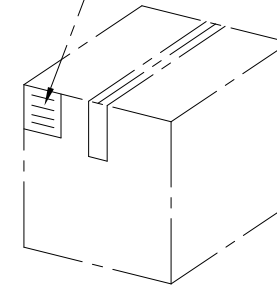
REV.	ECN NO	CONTENT	DATE	ENGINEER
A0				

3 (>»?ôlÖ



4è1á

@ ñ 71®



5>õ?±"r Ö

!ÿ Z 3 (>» 5>õ SFV x

!ÿ >» n 0 ?4è- x

!ÿ Z ?4è- n 0 Z4è1á È ;AÑ

4è1á FCd : 71®

S F V x



THIS DOCUMENT IS THE SOLE PROPERTY OF BBconn Technology Co.,Ltd. Corporation AND SHOULD NOT BE USED IN WHOLE OR IN PART WITHOUT PRIOR WRITTEN PERMISSION.		\$! c 2!•!•2!0 ° 9L€ œ (
.X: ±0.38 .XX: ±0.25 .XXX: ±0.13 X*: ±3" .X*: ±2" .XX*: ±1"		NAME: 轻触开关 7.6x8.7x12 侧插 白色单色灯 不锈钢弹片 260GF E°x°Á (A0670-19-12I26010-W)	
APPD.	JM_Zheng	PJ. NO.: TS.43.27-21-3Z-01	
CHKD.	LYX	SIZE: A4 DRW NO.:	
PDWG.NO:	0436-1	DR.	TSP
		FINISH:	SEE NOTES
		MAT'L.:	SEE NOTES
		SCALE:	N/A
		REV.:	A0
		UNIT:	mm
		PAGE:	2/2