

带灯轻触主要技术指标: Illuminated Tact Switch Main Specifications:

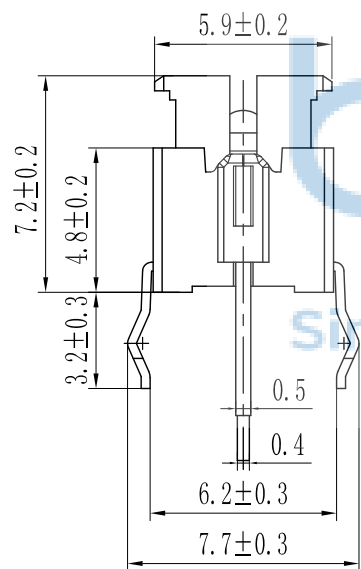
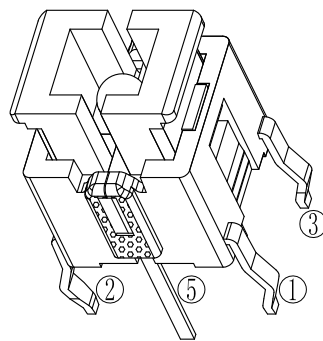
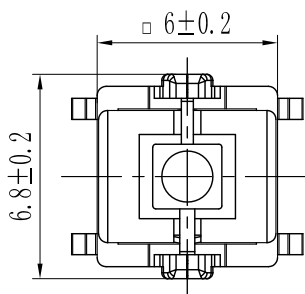
气候等级 Climate Grade	额定值 Rated Values	接触电阻 Contact Resistance	耐电压 Dielectric Strength	绝缘电阻 Insulation Resistance	动作力 Operating Force	寿命 Life	盐雾试验 Salt mist Test
-25°C 至 +75°C	30V DC, 30mA	≤0.05 Ω	250V AC	≥100MΩ	260gf±50gf	10W times	12±1 hours.
-25°C 至 +75°C	30V DC, 30mA	≤0.05 Ω	250V AC	≥100MΩ	160gf±50gf	10W times	12±1 hours.

灯光选型表

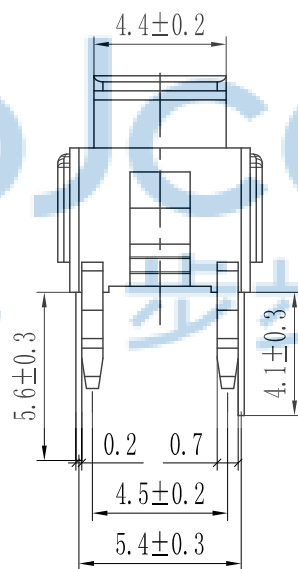
灯光	灯光代码
白光	W white
红光	R Red
绿光	G Green
黄光	Y Yellow
蓝光	BL Blue
...	....



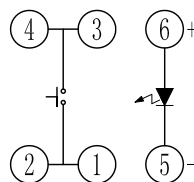
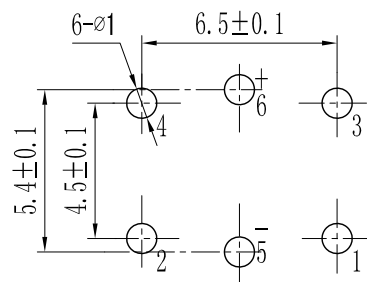
序号	名称	材料	数量	镀层/颜色	备注
5	LED灯		1	黄色	A0640白光
4	按钮	PA66	1	瓷白	A0640
3	弹片	不锈钢	1	Ag	借A0630(φ4.5)
2	塑座	PA66	1	黑色	A0640(6x7.2H)
1	卡件	H62	1	Ag	A0640



元件面孔位图



电原理图



THIS DOCUMENT IS THE SOLE PROPERTY OF BBJconn Technology Co., Ltd. CORPORATION AND SHOULD NOT BE USED IN WHOLE OR IN PART WITHOUT PRIOR WRITTEN PERMISSION.  
PDWG.NO: 0436-1

**深圳市步步精科技有限公司**

NAME: 轻触开关 6x6x7.2 红绿双色灯 瓷白按钮 直插 不锈钢弹片260gf

APPD. JM\_Zheng

CHKD. LYX

DR. SGF

PJ. NO.: TS.01.60-21-3Z-02

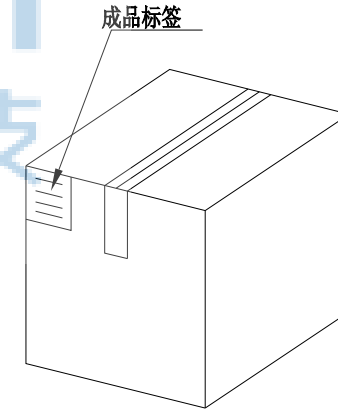
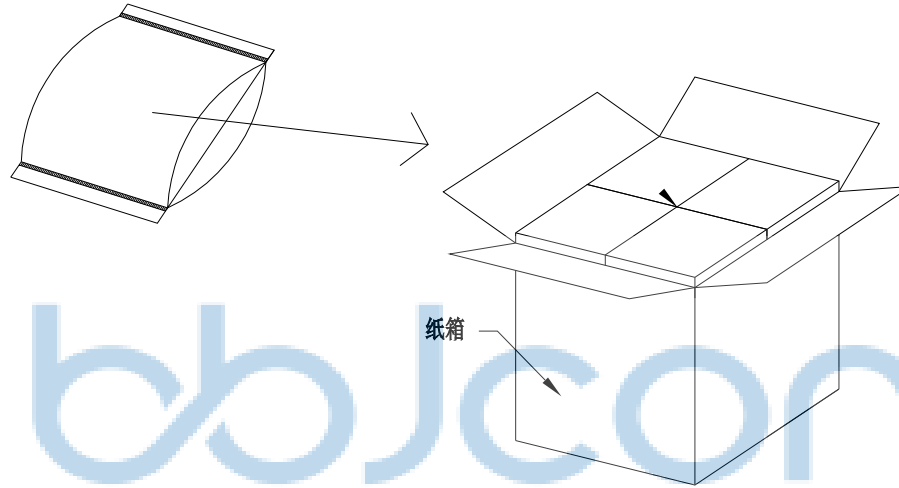
SIZE: A4 DRW NO.:

FINISH: SEE NOTES MAT'L.: SEE NOTES

SCALE: N/A REV.: A0 UNIT: mm PAGE: 1/2

REV.	ECN NO	CONTENT	DATE	ENGINEER
A0		Initial release	/	SGF

PE袋规格:\*\*\*X\*\*\* (以实际出货为准)



1. 包装要求:

- 1.1 每PE袋包装500pcs;
- 1.2 每1袋放一小纸盒;
- 1.3 每20个小纸盒放一个纸箱, 共计10000PCS
- 1.4 纸箱外贴上标签



THIS DOCUMENT IS THE SOLE PROPERTY OF BBJconn Technology Co.,Ltd. Corporation AND SHOULD NOT BE USED IN WHOLE OR IN PART WITHOUT PRIOR WRITTEN PERMISSION.		深圳市步步精科技有限公司 .X: ±0.38 X': ±3' NAME: .XX: ±0.25 .X": ±2' 轻触开关 6x6x7.2 红绿双色灯 瓷白按钮 直插 不锈钢弹片260gf .XXX: ±0.13 .XX": ±1'	
APPD.	JM_Zheng	PJ. NO.: TS.01.60-21-3Z-02 SIZE: A4 DRW NO.:	
CHKD.	LYX	FINISH: SEE NOTES MAT'L.: SEE NOTES	
PDWG.NO:	0436-1	DR.	SGF
		SCALE: N/A	REV.: A0 UNIT: mm PAGE: 2/2