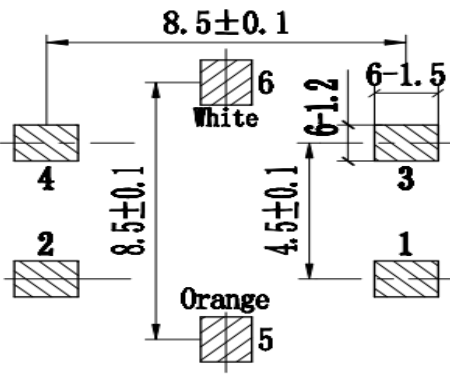
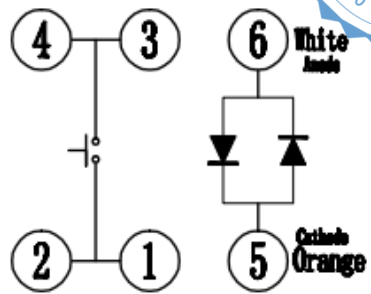


元件面孔位图



电原理图



带灯轻触主要技术指标: Illuminated Tact Switch Main Specifications:

气候等级 Climate Grade	额定值 Rated Values	接触电阻 Contact Resistance	耐电压 Dielectric Strength	绝缘电阻 Insulation Resistance	动作力 Operating Force	寿命 Life	盐雾试验 Salt mist Test
-25℃ 至 +75℃	30V DC, 30mA	≤0.05Ω	250V AC	≥100MΩ	▶260gf±50gf	10W times	12±1 hours.
-25℃ 至 +75℃	30V DC, 30mA	≤0.05Ω	250V AC	≥100MΩ	160gf±50gf	10W times	12±1 hours.

双色灯光	灯光代码	电原理图
平头红/蓝双色光(宽脚红)	R1/BL1 Red/Blue	
红/纯绿双色光(宽脚红)	R/G Red/PureGreen	
红/白双色光(宽脚红)	R/W Red/White	
绿/蓝双色光(宽脚绿)	G/BL Green/Blue	
绿/白双色光(宽脚绿)	G/W Green/White	
黄绿/红双色光(宽脚黄绿)	Y/G/R yellow green/red	
黄/纯绿双色光(宽脚黄)	Y/G yellow /Pure green	
橙/白双色光(宽脚橙)	O/W Orange /White	
....

序号	名称	材料	数量	镀层/颜色
5	平头LED灯		1	橙/白双色
4	按钮	LCP	1	白色
3	弹片	不锈钢	1	Ag
2	塑座	PPA	1	黑色
1	卡件	H62	1	Ag

THIS DOCUMENT IS THE SOLE PROPERTY OF BBJconn Technology Co., Ltd. CORPORATION AND SHOULD NOT BE USED IN WHOLE OR IN PART WITHOUT PRIOR WRITTEN PERMISSION.

PDWG.NO: 0436-1

DR. SGF

深圳市步步精科技有限公司

NAME: 轻触开关 6x6x7.2 贴片 不锈钢弹片 260G 橙白双色灯

APPD. JM_Zheng

CHKD. LYX

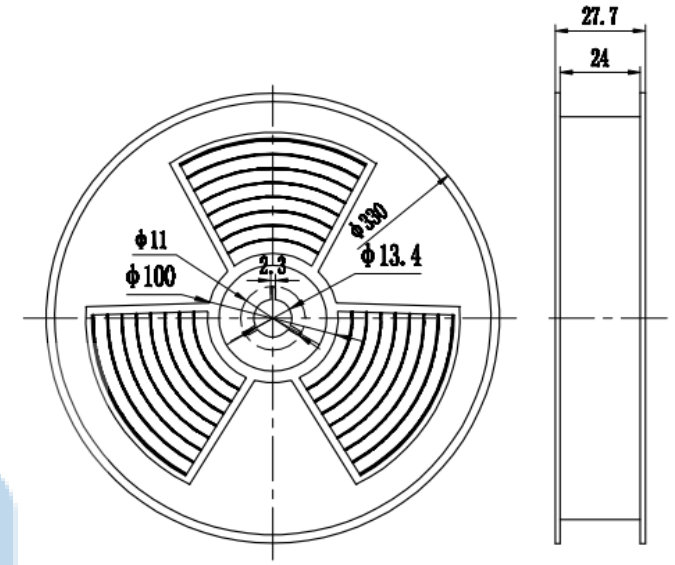
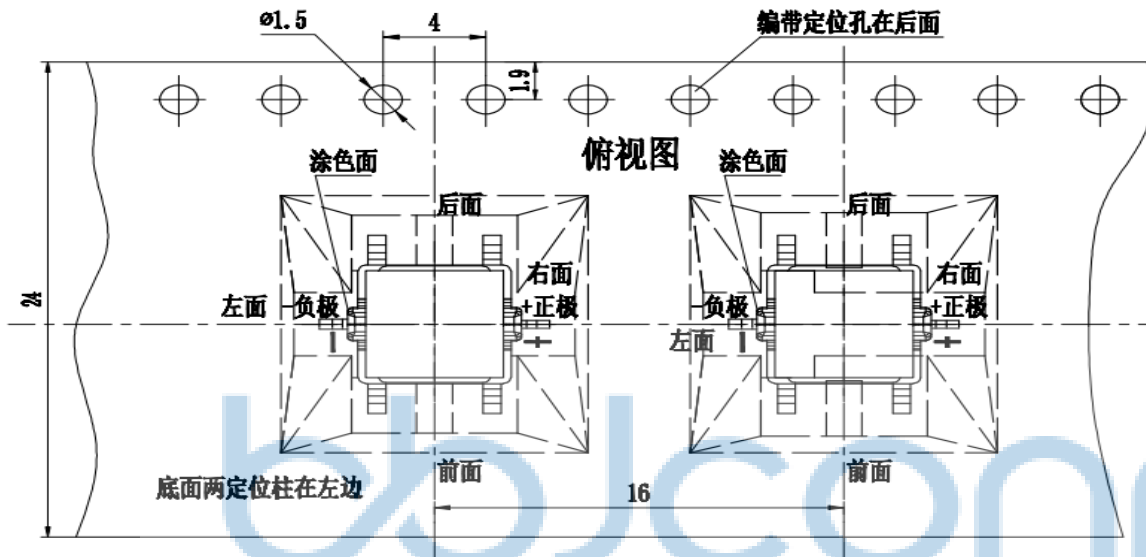
PJ. NO.: TS.01.60-11-3Z-01

SIZE: A4 DRW NO.:

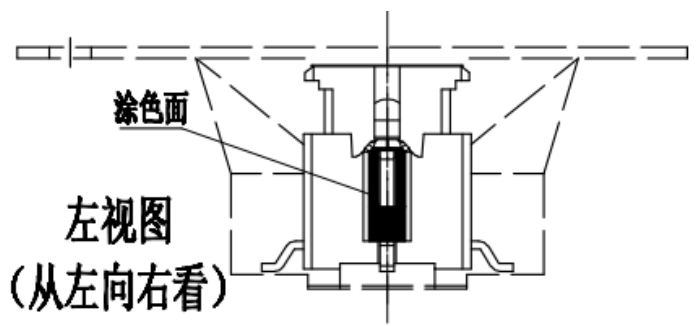
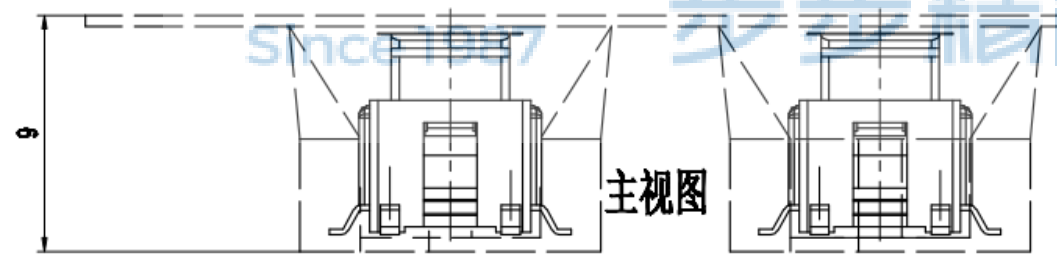
FINISH: SEE NOTES MAT'L.: SEE NOTES


SCALE: N/A REV.: A0 UNIT: mm PAGE: 1/2

REV.	ECN NO	CONTENT	DATE	ENGINEER
A0		Initial release	/	SGF



成品每卷包装数量: 500PCS/卷, 前后各空8格



THIS DOCUMENT IS THE SOLE PROPERTY OF BBJconn Technology Co.,Ltd. Corporation AND SHOULD NOT BE USED IN WHOLE OR IN PART WITHOUT PRIOR WRITTEN PERMISSION.		 深圳市步步精科技有限公司	
PDWG.NO: 0436-1	DR. SGF	.X: ±0.38 .XX: ±0.25 .XXX: ±0.13	X': ±3" .X': ±2" .XX': ±1"
APPD. JM_Zheng	CHKD. LYX	NAME: 轻触开关 6x6x7.2 贴片 不锈钢弹片 260G 橙白双色灯	PJ. NO.: TS.01.60-11-3Z-01 SIZE: A4 DRW NO.: FINISH: SEE NOTES MAT'L.: SEE NOTES
		SCALE: N/A	REV.: A0
		UNIT: mm	PAGE: 2/2