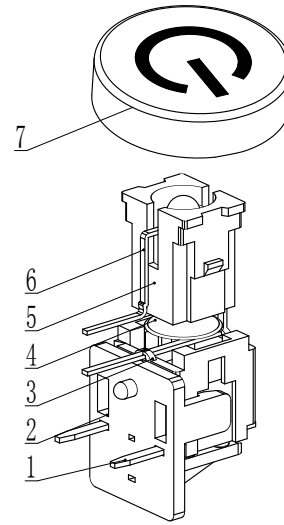
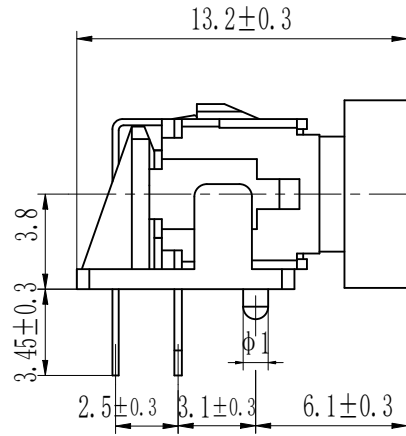
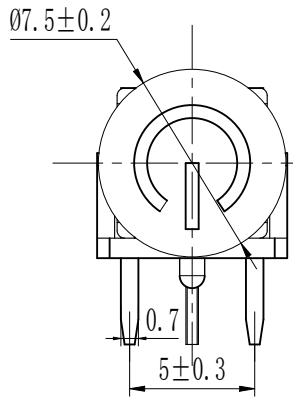


REV.	ECN NO.	CONTENT	DATE	ENGINEER
AO		Initial release	/	TSP



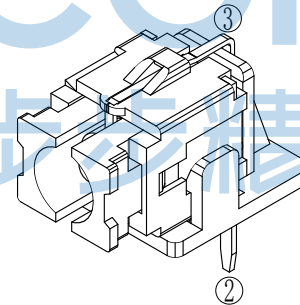
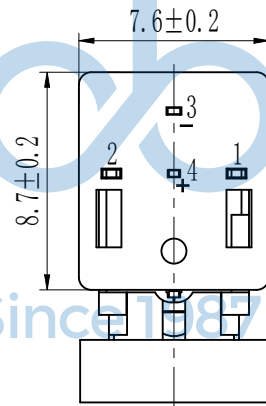
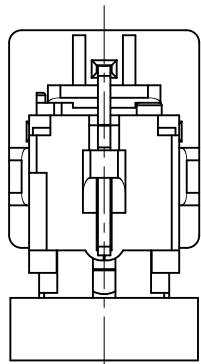
轻触开关主要技术指标: Main Specifications:

气候等级 Climate Grade	额定值 Rated Values	接触电阻 Contact Resistance	耐电压 Dielectric Strength	绝缘电阻 Insulation Resistance	动作力 Operating Force	寿命 Life	盐雾试验 Salt mist Test
-25℃ 至 +75℃	30V DC, 30mA	≤0.05Ω	250V AC	≥100MΩ	160/260gf±50gf	10W times	12±1 hours.

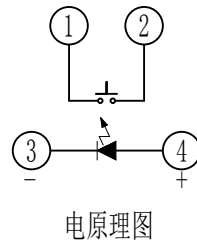
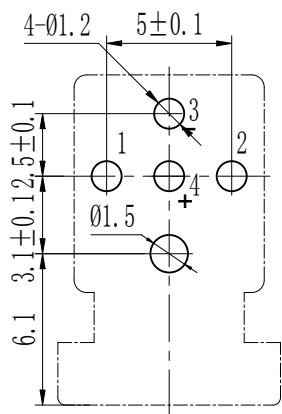


灯光选型表

灯光	灯光代码
白光	W white
红光	R Red
绿光	G Green
黄光	Y Yellow
蓝光	BL Blue
..



元件面孔位图



电原理图

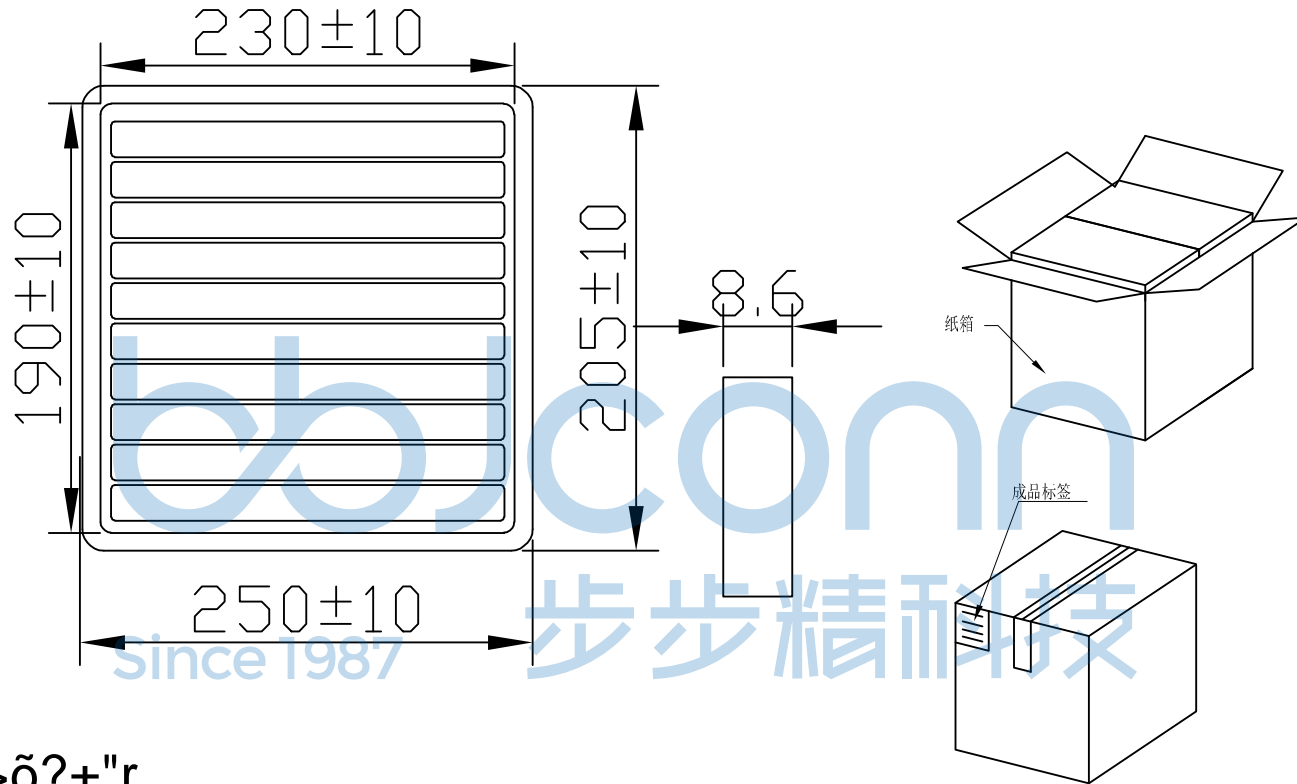


序号	名称	材料	数量	镀层/颜色	备注
7	圆帽	PC	1	银色	
6	LED 灯		1		A0670蓝光长负短正
5	斜边按钮	PA66	1	瓷白	
4	弹片	不锈钢	1	Ag	
3	塑座	PA66	1	黑色	
2	定位板	PA66	1	黑色	
1	卡件	H62	1	Ag	

THIS DOCUMENT IS THE SOLE PROPERTY OF BBJconn Technology Co., Ltd. Corporation AND SHOULD NOT BE USED IN WHOLE OR IN PART WITHOUT PRIOR WRITTEN PERMISSION.
PDWG.NO: 0436-1

深圳市步步精科技有限公司

.X: ±0.38 .XX: ±0.25 .XXX: ±0.13	X': ±3" .X': ±2" .XX': ±1"	NAME: 轻触开关 7.6x8.7x13.2 侧插 蓝色灯 不锈钢弹片 260GF 瓷白按钮 7.5银色帽
APPD. JM_Zheng	PJ. NO.: 101-431-193001-T9G	SIZE: A4 DRW NO.:
CHKD. LYX	FINISH: SEE NOTES	MAT'L.: SEE NOTES
DR. TSP	SCALE: N/A	REV.: AO UNIT: mm PAGE: 1/2



纸箱规格: 350*210*290

5>õ?±"r
!ÿ- h •- 5>õ SFV x
!ÿ - n 01á ¡AÑ 3 & 6
4è1á FCd : 71® Ä

THIS DOCUMENT IS THE SOLE PROPERTY OF BBJconn Technology Co.,Ltd. Corporation AND SHOULD NOT BE USED IN WHOLE OR IN PART WITHOUT PRIOR WRITTEN PERMISSION.		深圳市步步精科技有限公司 .X: ±0.38 .X': ±3' .XX: ±0.25 .X'': ±2' .XXX: ±0.13 .X''': ±1'		NAME: 轻触开关 7.6x8.7x13.2 侧插 蓝色灯 不锈钢弹片 260GF 瓷白按钮 7.5银色帽	
APPD.	JM_Zheng	PJ. NO.: 101-431-193001-T9G SIZE: A4 DRW NO.:		FINISH: SEE NOTES MAT'L.: SEE NOTES	
CHKD.	LYX	SCALE: N/A		REV.: A0	UNIT: mm
PDWG.NO:	0436-1	DR.	TSP	PAGE: 2/2	