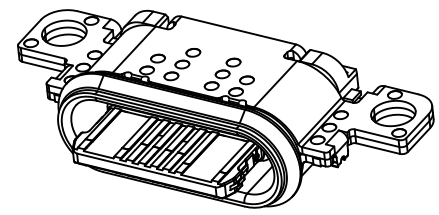
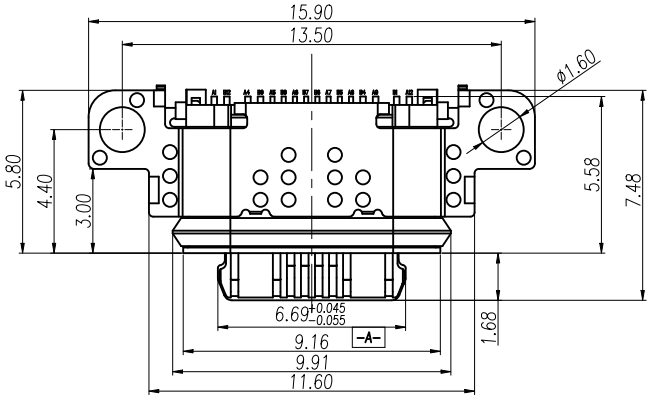


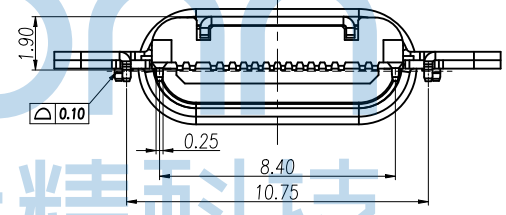
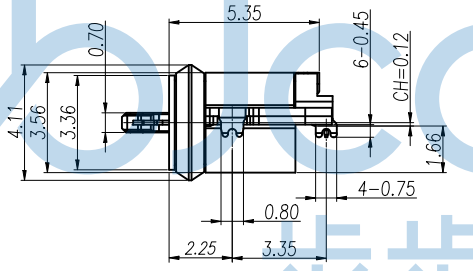
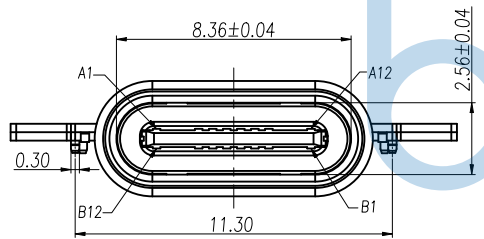
REV.	ECN NO	CONTENT	DATE	ENGINEER
A0		Initial release	/	TSP



SPECIFICATION:

- 1.ELECTRICAL CHARACTERISTICS:
 - 1.1 CURRENT RATING: 5A
 - 1.2 TEMPERATURE RANGE: -40 °C ~ 85 °C
 - 1.3 CONTACT RESISTANCE: 30 MILLIONHM MAX.
 - 1.4 DIELECTRIC WITHSTANDING VOLTAGE: 100 VAC r.m.s
 - 1.5 INSULATION RESISTNACE: 100 MEGOHMS MIN.
- 2.MECHANICAL CHARACTERISTICS
 - 2.1 INSERTION FORCE: 5~20N
 - 2.2 EXTRACTION FORCE: Initial:8~20N,ATER TEST 6~20N
 - 2.3 DURABILITY:10,000CYCLES

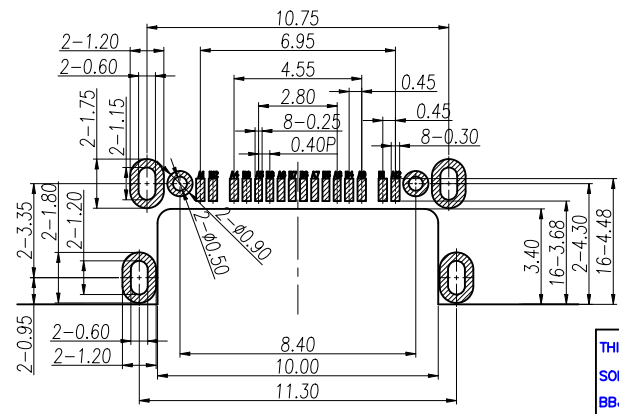
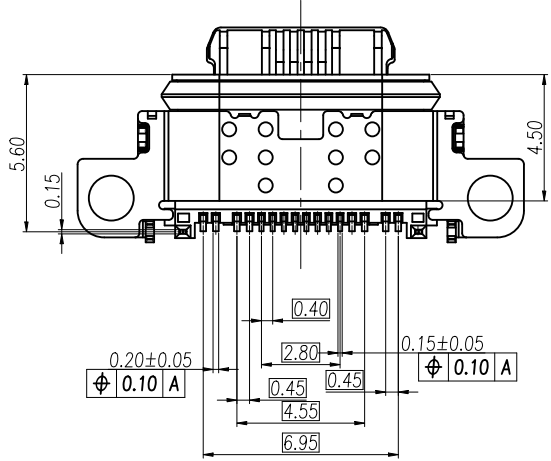
THE SHELL LENTH IS LESS THAN THE MINIMUM SPECIFIED BY THE USB TYPE C STANDARD.AS SUCH IS CONNOT INDENOENDENTLY BE GUARANTEED TO MEET ALL TYPE C MECHANICAL REQUIREMENTS.



Since 1987

步步精科技

PIN ASSIGNMENT												BLADE	SHELL
A1	A2	A3	A4	A5	A6	A7	A8	A9	A10	A11	A12		
GND	TX1+	TX1-	VBUS	CC1	D+	D-	SBU1	VBUS	RX2-	RX2+	GND		
GND	RX1+	RX1-	VBUS	SBU2	D-	D+	CC2	VBUS	TX2-	TX2+	GND	GND	GND
B12	B11	B10	B9	B8	B7	B6	B5	B4	B3	B2	B1		



P.C.B LAYOUT VIEW
TOLERANCE ±0.05

NO.	DESCRIPTION	QTY.	MATERIAL	FINISHED
5	MID PLATE	1 PCS	SUS301 T=0.15	None
4	CONTACT 2	1 SET	C7025 T=0.15	Ni 50~100u" Plated; After Au 1u" Plated On Contact Area And Solder Area
3	CONTACT 1	1 SET	C7025 T=0.15	
2	IM HOUSING	1 PCS	PA46 BLACK UL94V-0	None
1	SHELL	1 PCS	SUS304 T=0.30	Ni 50~120u" Plated

THIS DOCUMENT IS THE SOLE PROPERTY OF BBJconn Technology Co.,Ltd. Corporation AND SHOULD NOT BE USED IN WHOLE OR IN PART WITHOUT PRIOR WRITTEN PERMISSION. PDWG:NO: 0851-1

深圳市步步精科技有限公司

NAME:TYPE-C 16P 防水母座 锁板式 端子SMT 沉板1.66
舌片外漏1.68 L=5.80 CH=0.12 IPX7 编带

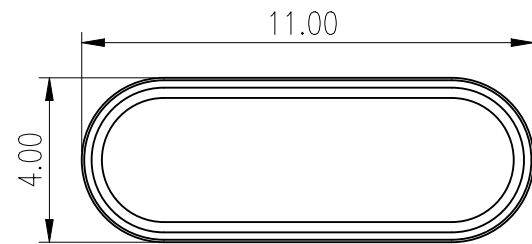
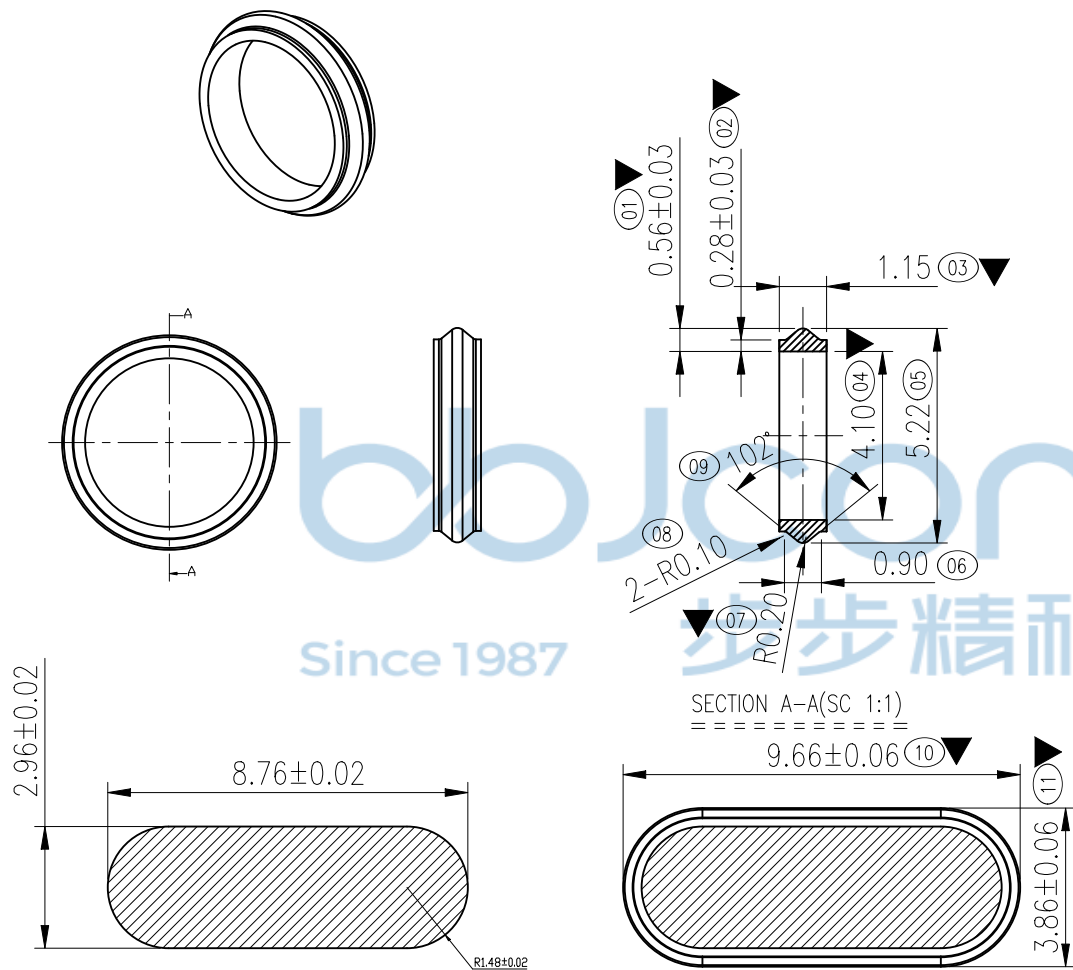
APPD. JM_Zheng
CHKD. LYX
DR. TSP

PJ. NO.: 126-221-160006-M3G
SIZE: A4 DRW NO.:
FINISH: SEE NOTES MAT'L.: SEE NOTES
SCALE: N/A REV.: A0 UNIT: mm PAGE: 1/3

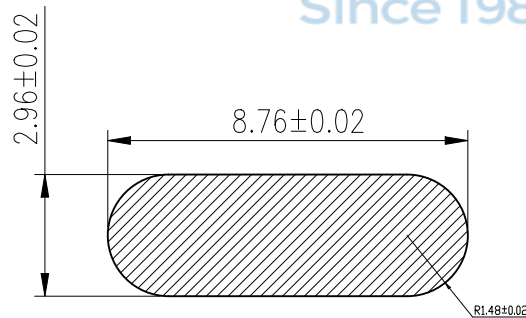
REV.	ECN NO	CONTENT	DATE	ENGINEER
AO		Initial release		LYX

NOTES:

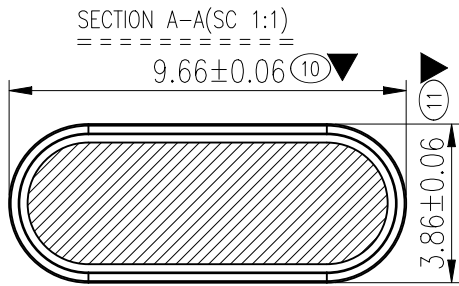
1. 材料: 硅胶 (道康宁RBB-2420-50+RBB-2420-70+迈图TSE221-4U HA (52±3)°) 颜色: 红色
防火等级: UL94 HB 硬度: HA52±3度
2. 整体毛边0.05MAX, 无撕破. 划伤. 缺料等外观缺陷;。
3. 标有"▼"记号者为重点检验尺寸。
4. 标有"(XX)"记号者为FAI检验尺寸。
5. 未标注尺寸公差为依自由公差为准。
6. 产品满足《环境有害物质管理要求》
7. 包装方式: 袋装 (5K/袋)
8. 过IR炉(265度) 3次后, 尺寸符合要求, 无开裂, 收缩变形, 变色等不良。
9. 拉长到如下图尺寸, 回弹后尺寸无明显变化, 符合图面管控要求。



拉长示意图



治具/外壳装硅胶圈位置尺寸示意图

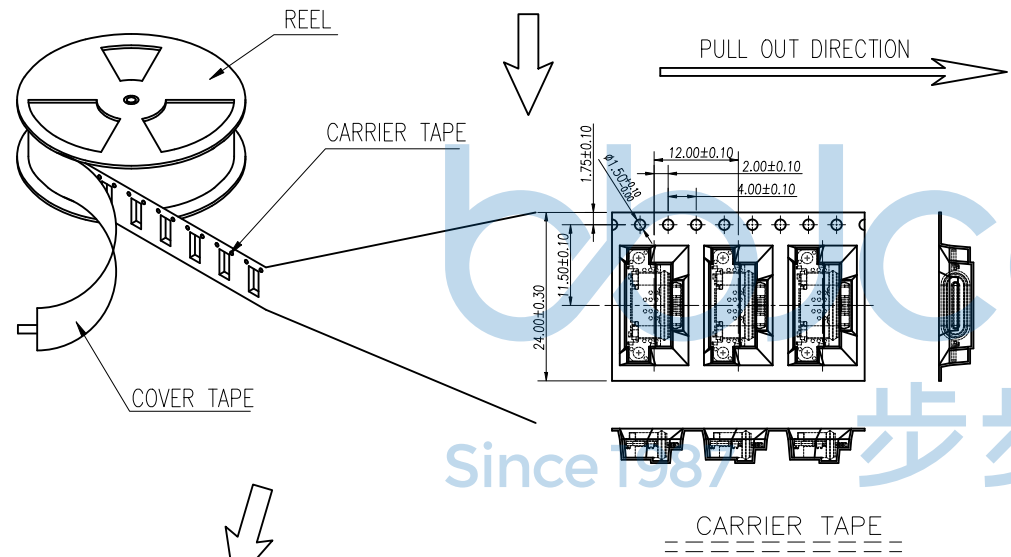
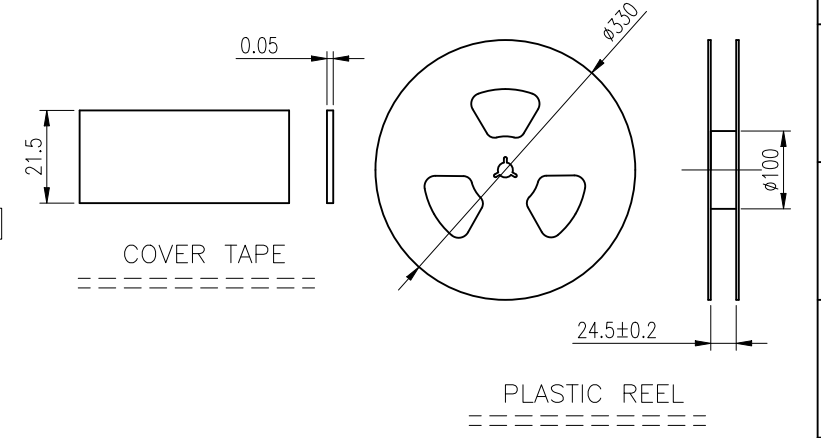
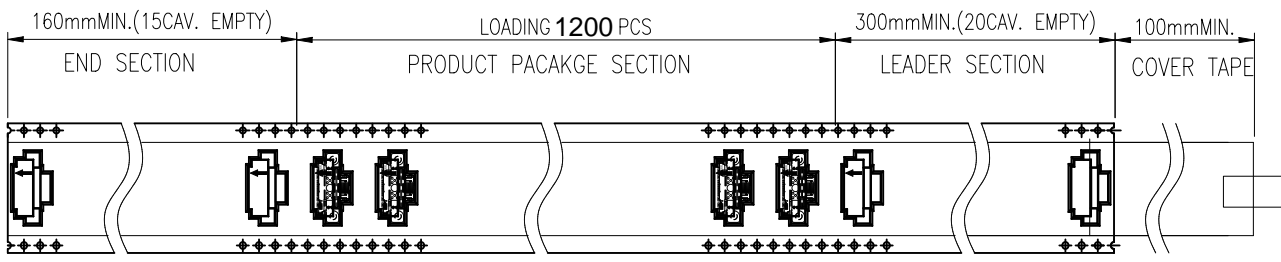


装硅胶圈后尺寸

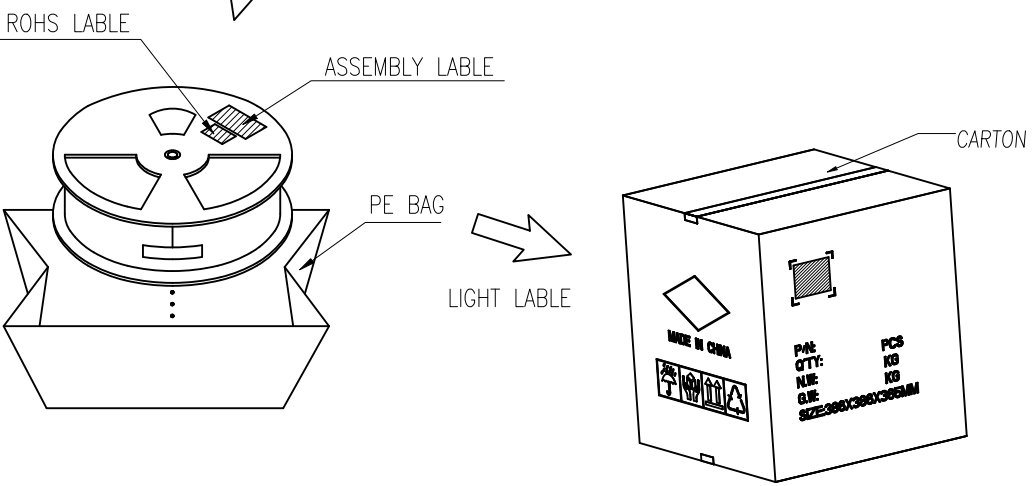


THIS DOCUMENT IS THE SOLE PROPERTY OF BBJconn Technology Co., Ltd. Corporation AND SHOULD NOT BE USED IN WHOLE OR IN PART WITHOUT PRIOR WRITTEN PERMISSION.		深圳市步步精科技有限公司 .X: ±0.10 .X': ±3" .XX: ±0.05 .X": ±2" .XXX: ±0.02 .XX': ±1"		NAME: TYPE-C 16P 防水母座 锁板式 端子SMT 沉板1.66 舌片外漏1.68 L=5.80 CH=0.12 IPX7 编带	
APPD.	JM_Zheng	PJ. NO.: 126-221-160006-M3G SIZE: A4 DRW NO.:		FINISH: SEE NOTES MAT'L.: SEE NOTES	
CHKD.	TSP	SCALE: N/A		REV.: AO	UNIT: mm
PDWG. NO:	0851-1	DR.	LYX	PAGE: 2/3	

REV.	ECN NO	CONTENT	DATE	ENGINEER
A0		Initial release	/	TSP



- NOTES 2:
- MATERIAL:
 - 1.1 REEL AND AXLE: PS,BLUE
 - 1.2 CARRIER TAPE: PET, LUCID
 - 1.3 COVER TAPE: PS,TRANSPARENT
 - 1.4 SHIPPING CARTON: CORRUGATED FIBER
 - DIMENSION:
 - 2.1 REEL: W=24.5, $\phi A=330$
 - 2.2 CARRIER TAPE: T=0.30 W=24.0
 - 2.3 COVER TAPE: T=0.05 W=21.5
 - 2.4 SHIPPING CARTON: L=335mm, W=335mm, H=365mm
 - QUANTITY :
 - 3.1 PRIMAY PACKING: 1200 PCS/REEL
 - 3.2 SECONARY PACKING: 12 REELS/CARTON(14400 PCS/CARTON)
 - PEELING RESISTANCE: 0.1~1.3N
 - 4.1 PEELING SPEED: 300mm/minutes
 - 4.2 PEELING ANGLE: 165° ~180°



THIS DOCUMENT IS THE SOLE PROPERTY OF BBJconn Technology Co.,Ltd.		深圳市步步精科技有限公司	
CORPORATION AND SHOULD NOT BE USED IN WHOLE OR IN PART WITHOUT PRIOR WRITTEN PERMISSION.		NAME:TYPE-C 16P 防水母座 锁板式 端子SMT 沉板1.66 舌片外漏1.68 L=5.80 CH=0.12 IPX7 编带	
APPD.	JM_Zheng	PJ. NO.: 126-221-160006-M3G	
CHKD.	LYX	SIZE: A4 DRW NO.:	
PDWG.NO:	0851-1	FINISH: SEE NOTES MAT'L.: SEE NOTES	
DR.	TSP	SCALE: N/A	REV.: A0 UNIT: mm PAGE: 3/3