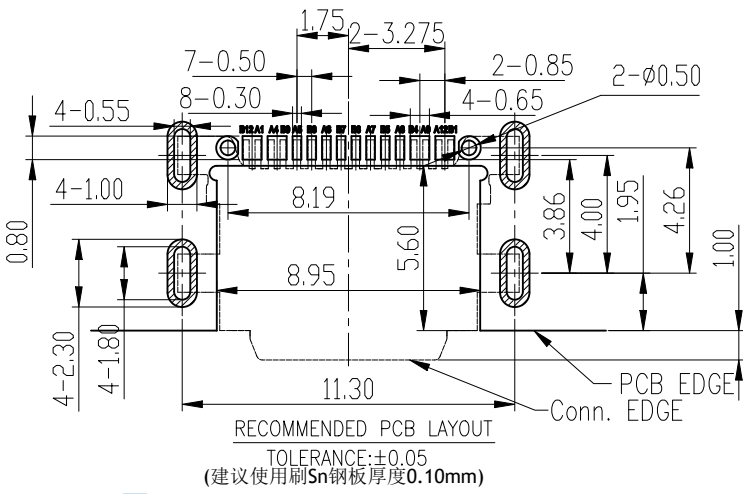
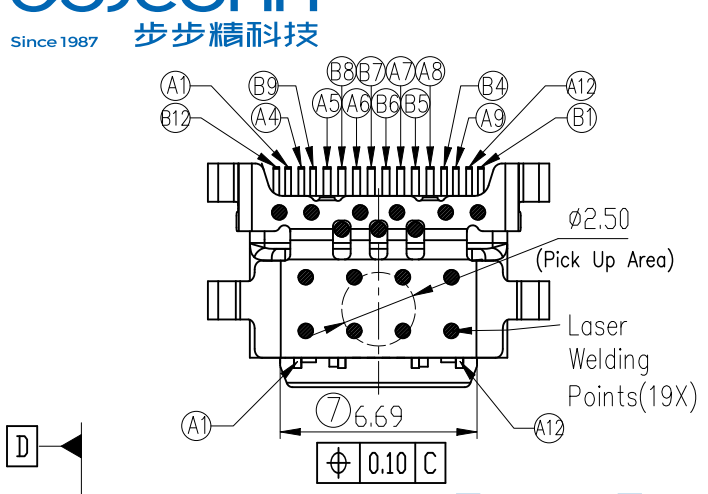


REV.	ECN NO	CONTENT	DATE	ENGINEER
A0		Initial release	/	TSP

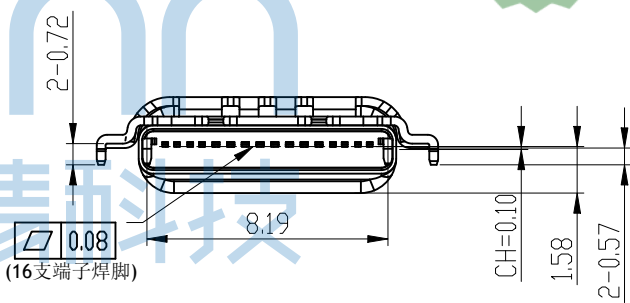
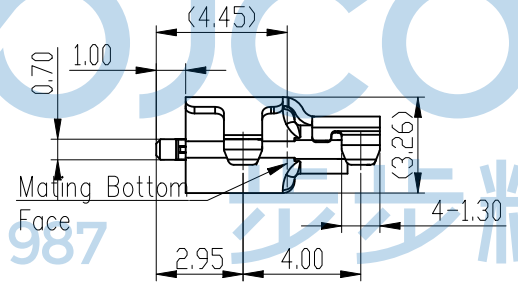
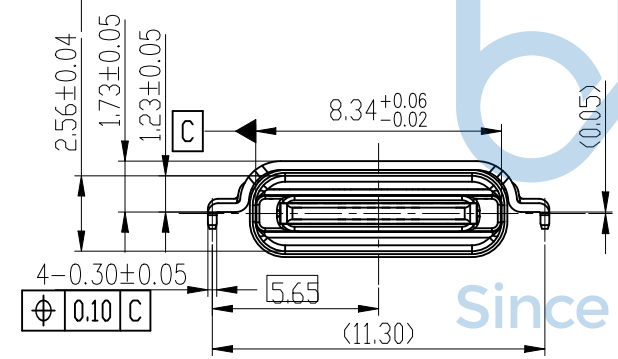
NOTES:

SPECIFICATION:

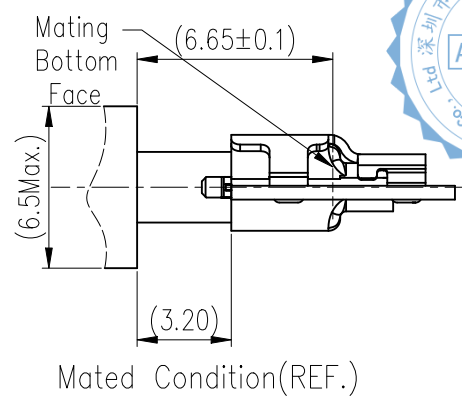
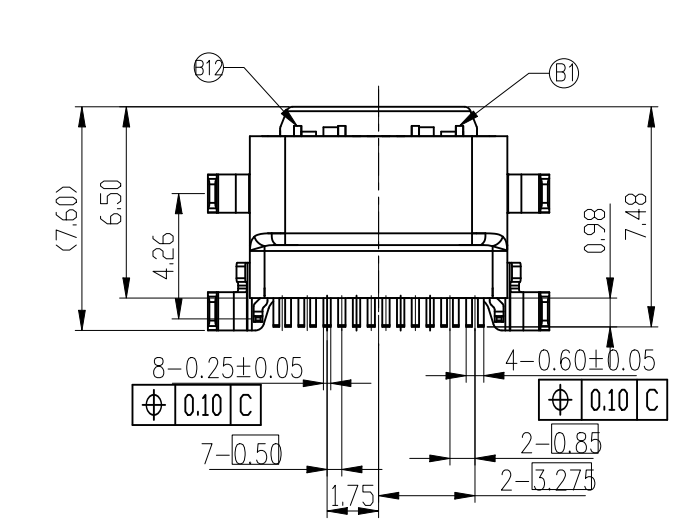
- CURRENT RATING: 3.0A MAX
- VOLTAGE: 100 VAC
- TEMPERATURE RANGE: -30 °C ~ 85 °C
- CONTACT RESISTANCE: 40 MILLIONHM MAX
- INSULATION RESISTANCE: 100 MEGOHMS MIN.
- INSERTION FORCE : 5N~20N
- UNMATING FORCE: 8N~20N
- DURABILITY: 10,000 CYCLES



RECOMMENDED PCB LAYOUT
TOLERANCE: ±0.05
(建议使用刷Sn钢板厚度0.10mm)



Contact Number	Signal Name	Contact Number	Signal Name
A1		B12	GND
A4	VBUS	B9	VBUS
A5	CC1	B8	SBU2
A6	Dp1	B7	Dn2
A7	Dn1	B6	Dp2
A8	SBU1	B5	CC2
A9	VBUS	B4	VBUS
A12	GND	B1	GND



Mated Condition(REF.)



NO.	DESCRIPTION	MATERIAL	REMARKS	QTY
8	TOP SHELL	STAINLESS STEEL	Ti/Ni Plated	1PCS
7	SHELL	STAINLESS STEEL	Ni Plated	1PCS
6	OVER MOLDING	HIGH TEMPERATURE PLASTIC	BLACK	1PCS
5	TOP I/M	HIGH TEMPERATURE PLASTIC	BLACK	1PCS
4	BOTTOM I/M	HIGH TEMPERATURE PLASTIC	BLACK	1PCS
3	MID PLATE	STAINLESS STEEL	Ti/Ni Plated	1PCS
2	CONTACT	COPPER ALLOY	Au/Ni Plated	1SET
1	CONTACT	COPPER ALLOY	Au/Ni Plated	1SET
NO.	DESCRIPTION	MATERIAL	REMARKS	QTY

THIS DOCUMENT IS THE SOLE PROPERTY OF BBJconn Technology Co., Ltd. Corporation AND SHOULD NOT BE USED IN WHOLE OR IN PART WITHOUT PRIOR WRITTEN PERMISSION. PDWG.NO: 0523-1

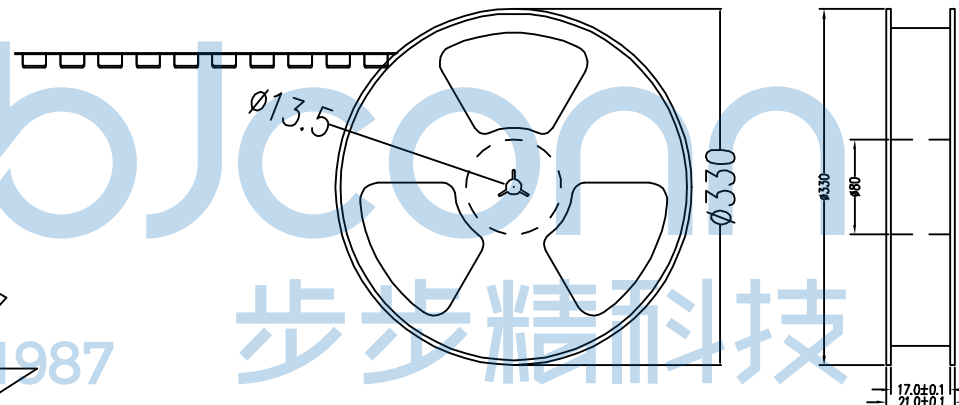
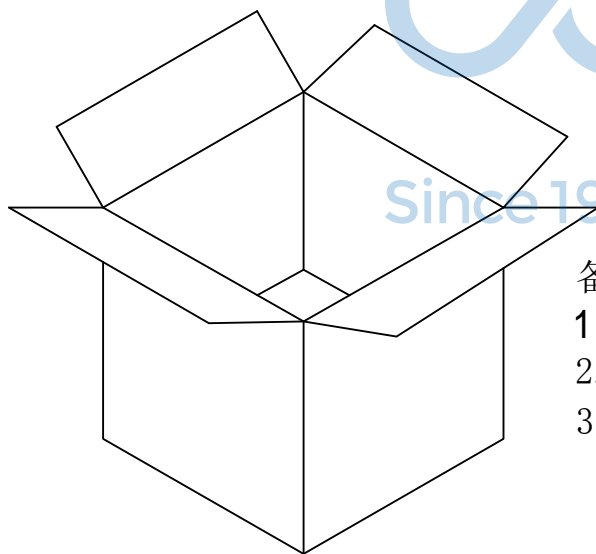
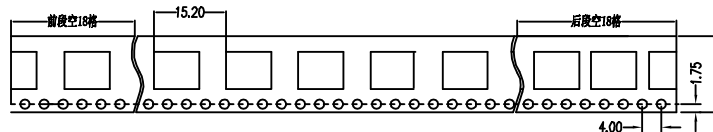
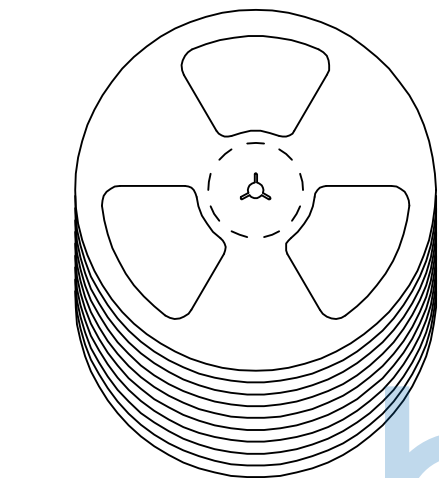
深圳市步步精科技有限公司

NAME: TYPE-C 16P 防水母座 双壳 沉板1.58 SMT 四脚插 带柱 舌片外漏1.0 L=7.60 CH=0.10 IPX6 不配防水圈

APPD. JM_Zheng
CHKD. LYX
DR. TSP

PJ. NO.: UC.01.31-1W-0011
SIZE: A4 DRW NO.:
FINISH: SEE NOTES MAT'L.: SEE NOTES
SCALE: N/A REV.: A0 UNIT: mm PAGE: 1/2

REV.	ECN NO	CONTENT	DATE	ENGINEER
A0		Initial release	/	TSP



备注:

1. 包装数量：1500/PCS/卷，10卷/箱
2. 包装袋长度：每卷前后各空10-20个空格，中间包装。
3. 材质：
载体：聚丙烯（PS），
上带：聚乙烯（PET），
卷盘：聚苯乙烯。

纸箱规格：345*345*23MM

纸箱规格：345*345*35MM

THIS DOCUMENT IS THE SOLE PROPERTY OF BBJconn Technology Co.,Ltd. Corporation AND SHOULD NOT BE USED IN WHOLE OR IN PART WITHOUT PRIOR WRITTEN PERMISSION.		深圳市步步精科技有限公司	
.X: ±0.38 .XX: ±0.25 .XXX: ±0.13		X': ±3' X'': ±2' X'X': ±1'	
APPD. JM_Zheng		NAME: TYPE-C 16P 防水母座 双壳 沉板1.58 SMT 四脚插 带柱 舌片外漏1.0 L=7.60 CH=0.10 IPX6 不配防水圈	
CHKD. LYX		PJ. NO.: UC.01.31-1W-0011	
DR. TSP		SIZE: A4 DRW NO.:	
PDWG.NO: 0523-1		FINISH: SEE NOTES MAT'L.: SEE NOTES	
		SCALE: N/A REV.: A0 UNIT: mm PAGE: 2/2	