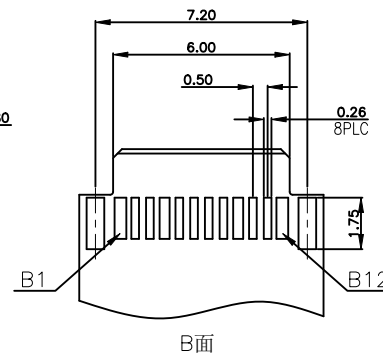
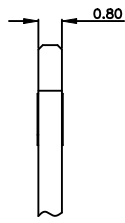
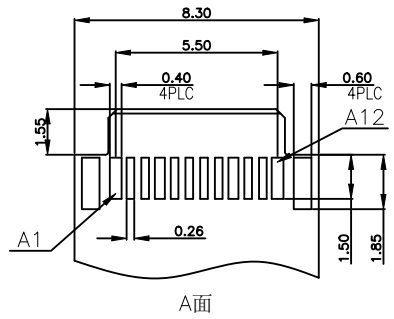
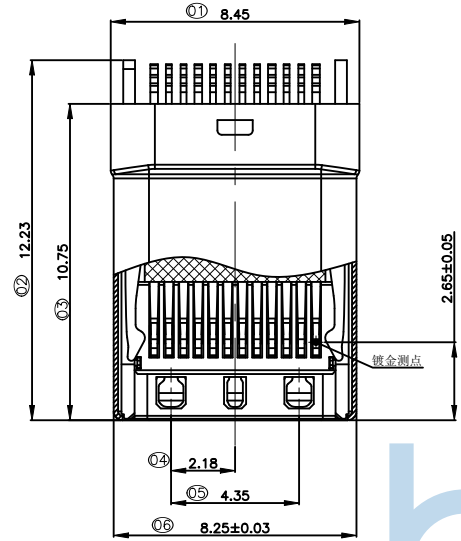
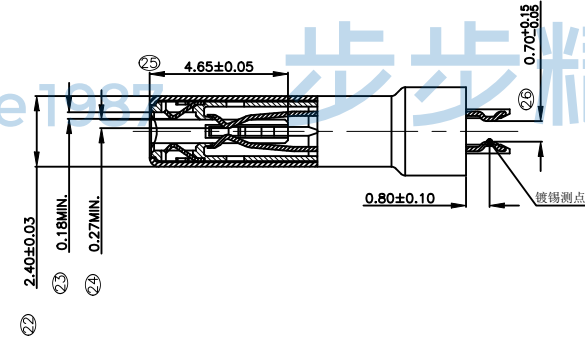
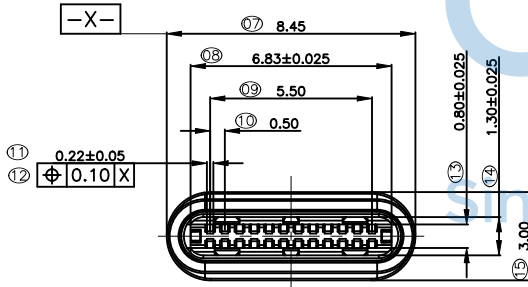


REV.	ECN NO	CONTENT	DATE	ENGINEER
A0		Initial release	/	TSP

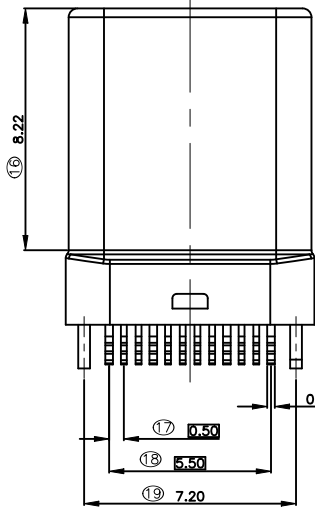


SPECIFICATION
MATERIAL
SEE DRAWING
STANDARD DATA
RATING CURRENT:5A
ELECTRICAL
INSULATOR RESISTANCE:100MOHMS MIN.
WITHSTANDING VOLTAGE:100VAC/MINUTE
CONTACT RESISTANCE:40MOHMS MAX
MECHANICAL
MATING FORCE:5~20N .
UNMATING FORCE:8~20N .
DURABILITY:10000 CYCLES .
DRAWINGS MARKED "⊗" FOR FAI DIMENSION.

RECOMMENDED P.C.B LAYOUT
GENERAL TOLERANCES:±0.05



A12	A11	A10	A9	A8	A7	A6	A5	A4	A3	A2	A1
GND	RX2+	RX2-	Vbus	SBU1	D-	D+	CC	Vbus	TX1-	TX1+	GND
GND	TX2+	TX2-	Vbus	Vconn			SBU2	Vbus	RX1-	RX1+	GND
B1	B2	B3	B4	B5	B6	B7	B8	B9	B10	B11	B12



ITEM	PARTS NAME	Q'TY	MATERIAL	FINISH/REMARK
1	SHELL	1	SUS316L	Ni:50u"
2	MOLDING HOUSING	2	LCP E130i	BLACK / WHITE
3	GND SPRING	2	SUS304	
4	INSERT MOLDING 12PIN	2	LCP E130i	BLACK / WHITE
5	CONTACT	24	C7025	CONTACT AREA: Au GF PLATED
6	LATCH	1	SUS301	SOLDER TAILS: TIN PLATED

THIS DOCUMENT IS THE SOLE PROPERTY OF **BBJconn Technology Co.,Ltd.** 深圳市步步精科技有限公司

Corporation AND SHOULD NOT BE USED IN WHOLE OR IN PART WITHOUT PRIOR WRITTEN PERMISSION.

PDWG.NO: 0412-1

NAME: TYPE-C 公头 24P 拉伸款 180度 H=10.75 不锈钢外壳不带PCB TID认证

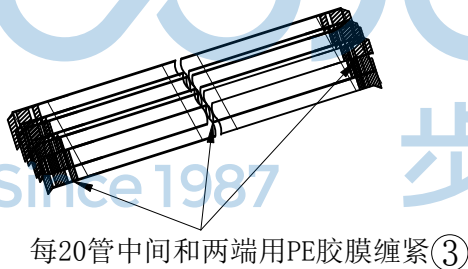
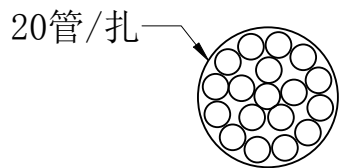
PJ. NO.: UC.02.62-4P-0004
SIZE: A4 DRW NO.:
FINISH: SEE NOTES MAT'L.: SEE NOTES
SCALE: N/A REV.: A0 UNIT: mm PAGE: 1/2

APPD. JM_Zheng
CHKD. LYX
DR. TSP



包装说明:

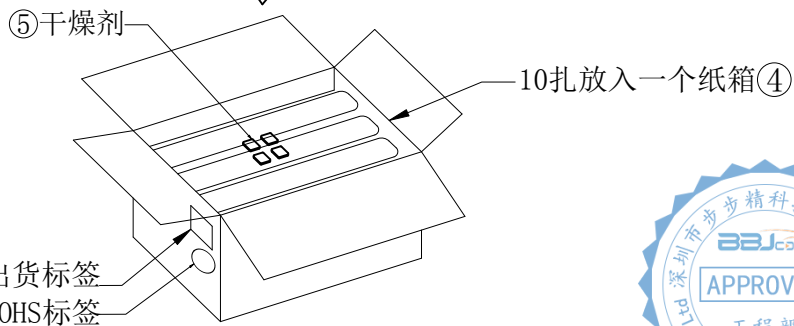
- 50PCS/管 (前后加白色塞子固定);
- 每20管为一扎用PE胶膜两头和中间缠紧;
- 每箱放入缠好PE胶膜的10扎产品, 共10000PCS产品装入一外箱中.
- 每纸箱放入4PCS干燥剂, 并以封箱胶封箱;
- 外箱贴上出货标签和大ROHS标签;
- 纸箱尺寸及印刷见包材图面;
- 纸箱内空隙需以缓冲材料填满;
- 本包装适装产品: USB C TYPE PLUG CONNECTOR



每管数量	每箱数量	产品单重	净重/箱	毛重/箱
50PCS/管	10000PCS	0.64g	6.14Kg	8.14Kg

(总毛重供参考使用, 出货以实称为准)

⑦	PE胶膜			
⑥	出货标签	1/10000	PCS	组装打印
⑤	ROHS标签	1/10000	PCS	RoHS环保专用
④	干燥剂	4/10000	BAG	
③	外纸箱	1/10000	PCS	内径, K=K, L545*W230*H120mm
②	真空管塞子	50	200	PCS 胶塞
①	真空管			PCS L540, T=0.5mm
序号	包材名称	PCS/管 管/箱 包装总数量		单位 备注



THIS DOCUMENT IS THE SOLE PROPERTY OF BBJconn Technology Co., Ltd. Corporation AND SHOULD NOT BE USED IN WHOLE OR IN PART WITHOUT PRIOR WRITTEN PERMISSION.		深圳市步步精科技有限公司 .X: ±0.38 .X': ±3' .XX: ±0.25 .X'': ±2' .XXX: ±0.13 .XX': ±1'		NAME: TYPE-C 公头 24P 拉伸款 180度 H=10.75 不锈钢外壳不带PCB TID认证 PJ. NO.: UC.02.62-4P-0004 SIZE: A4 DRW NO.: FINISH: SEE NOTES MAT'L.: SEE NOTES	
PDWG.NO: 0412-1	DR. TSP	APPD. JM_Zheng	CHKD. LYX	SCALE: N/A	REV.: A0 UNIT: mm PAGE: 2/2