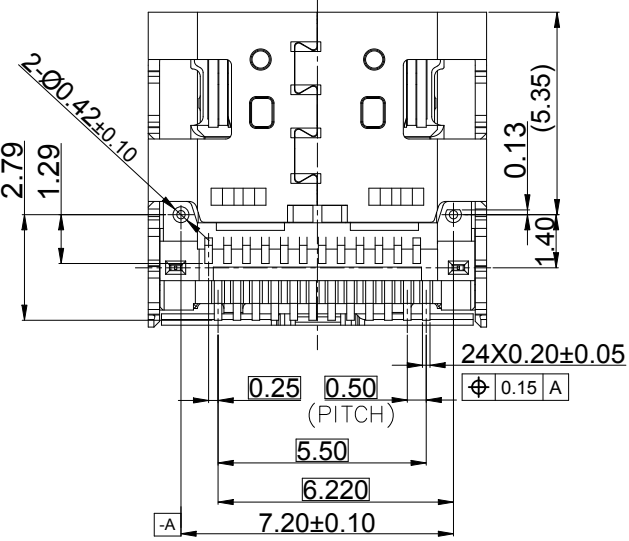
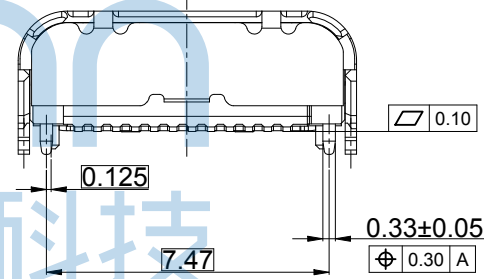
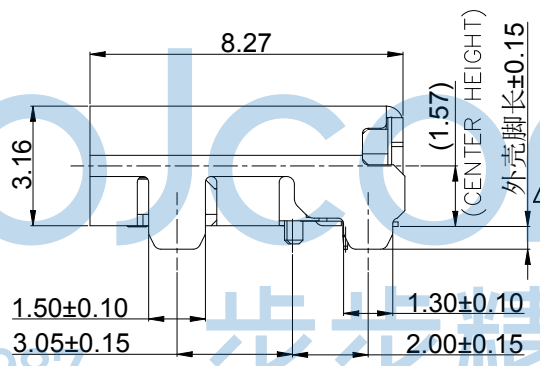
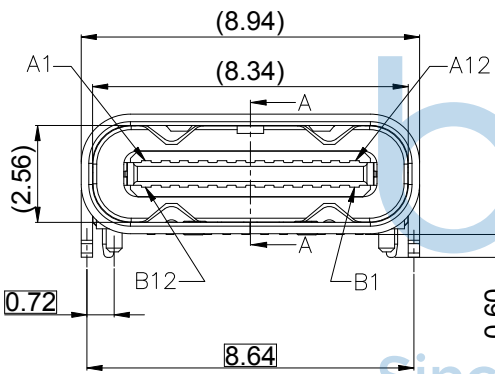
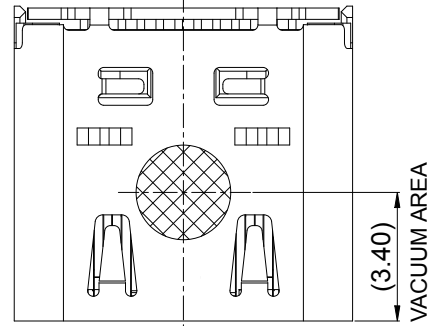
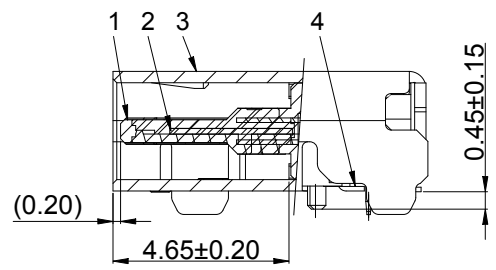


REV.	ECN NO	CONTENT	DATE	ENGINEER
A0		Initial release	/	TSP

- NOTE/注释:
- SPECIFICATION/规格:
    - Rated current (额定电流): 5.0 A
    - Voltage rating (额定电压): 5V AC
    - Contact Resistance (接触阻抗): 40 mΩ Max.
    - Insulation Resistance (绝缘阻抗): 100MΩ Min.
    - Withstanding voltage (耐电压): 100 VAC/minute
    - Mating force (插入力): 5~20N.
    - Unmating force (拔出力): 8~20N.
    - Durability Cycle(寿命循环): 10,000 cycle
    - Operating temperature (工作温度): -40°~+85°



**PIN ASSIGNMENT:**

A1	A2	A3	A4	A5	A6	A7	A8	A9	A10	A11	A12
GND	TX1+	TX1-	Vbus	CC1	D+	D-	SBU1	Vbus	RX2-	RX2+	GND
GND	RX1+	RX1-	Vbus	SBU2	D-	D+	CC2	Vbus	TX2-	TX2+	GND
B12	B11	B10	B9	B8	B7	B6	B5	B4	B3	B2	B1

1.60
1.20
0.90
0.60
外壳脚长L

THIS DOCUMENT IS THE SOLE PROPERTY OF BBJconn Technology Co.,Ltd. Corporation AND SHOULD NOT BE USED IN WHOLE OR IN PART WITHOUT PRIOR WRITTEN PERMISSION.

PDWG.NO: 0470-1

**深圳市步步精科技有限公司**

NAME: USB 4.0 TYPE-C 24P 母座 有后盖 单壳 板上四脚插 带柱 端子双排SMT 外壳脚长0.60 L=8.27 CH=1.57 带带

APPD. JM\_Zheng

CHKD. LYX

DR. TSP

PJ. NO.: UC.01.52-1W-0051

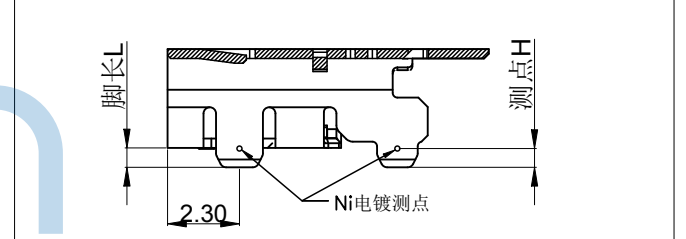
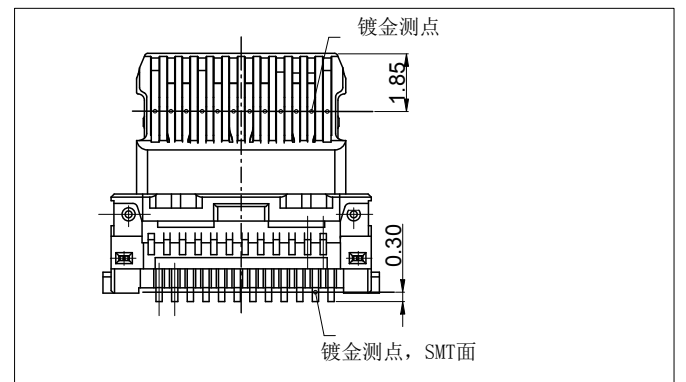
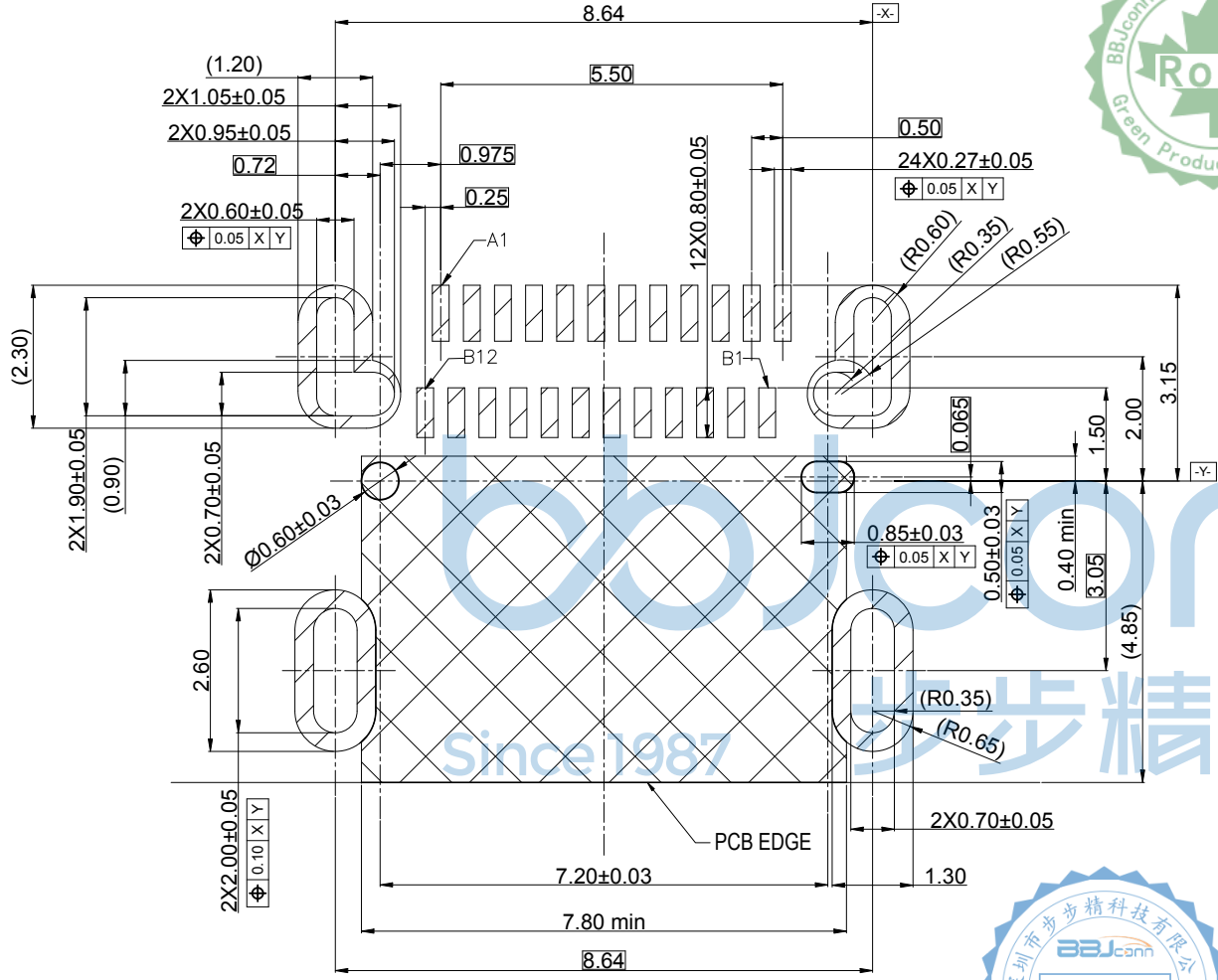
SIZE: A4 DRW NO.:

FINISH: SEE NOTES MAT'L.: SEE NOTES

SCALE: N/A REV.: A0 UNIT: mm PAGE: 1/3



REV.	ECN NO.	CONTENT	DATE	ENGINEER
A0		Initial release	/	TSP



1.60	1.50
1.20	1.10
0.90	0.90
0.60	0.60
壳脚长L	镍测点H



ITEM	DESCRIPTION	Q'TY	MATERIAL	FINISH	REMARK
4	TERMINAL	24	COPPER ALLOY	MATING SIDE: Au 1u"; SOLDER TAIL: Gold FLASH, 50u" NICKEL OVERALL.	T=0.12
3	SHELL	1	SUS 304	30U" NICKEL PLATING	T=0.30
2	MID PLATE	1	SUS301-H	30U" NICKEL PLATING	T=0.15
1	MAIN HOUSING	1	HIGH TEMPERATURE	PA9T BLACK	UL94V-0
BILL OF MATERIAL					

THIS DOCUMENT IS THE SOLE PROPERTY OF BBJconn Technology Co., Ltd. Corporation AND SHOULD NOT BE USED IN WHOLE OR IN PART WITHOUT PRIOR WRITTEN PERMISSION.

PDWG.NO: 0470-1

**深圳市步步精科技有限公司**

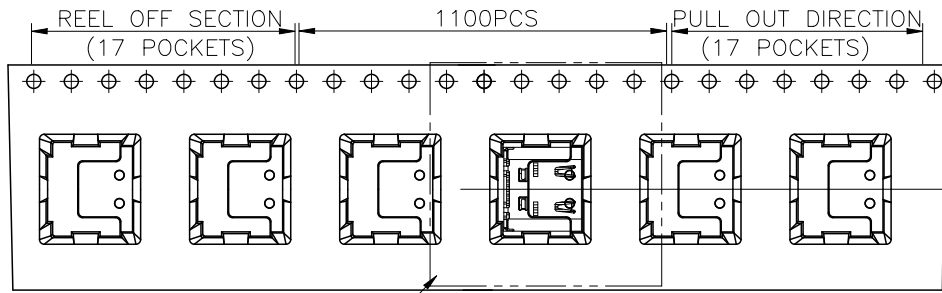
NAME: USB 4.0 TYPE-C 24P 母座 有后盖 单壳 板上四脚插 带柱 端子双排SMT 外壳脚长0.60 L=8.27 CH=1.57 编带

APPD. JM\_Zheng  
CHKD. LYX  
DR. TSP

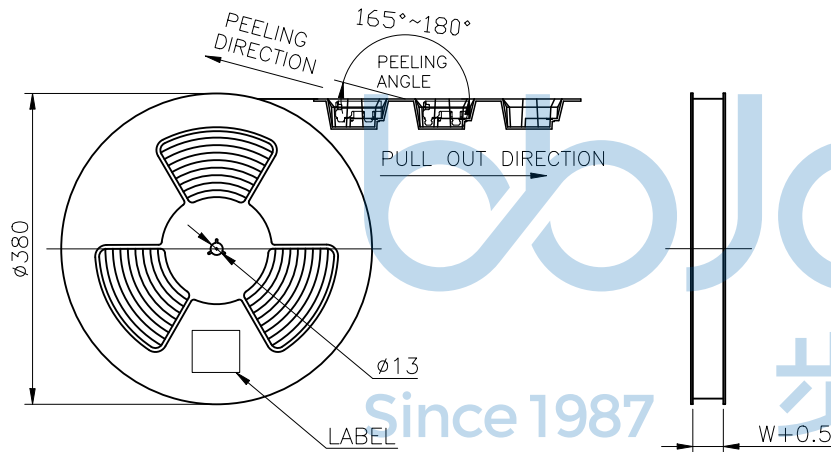
PJ. NO.: UC.01.52-1W-0051  
SIZE: A4 | DRW NO.:  
FINISH: SEE NOTES | MAT'L.: SEE NOTES  
SCALE: N/A | REV.: A0 | UNIT: mm | PAGE: 2/3



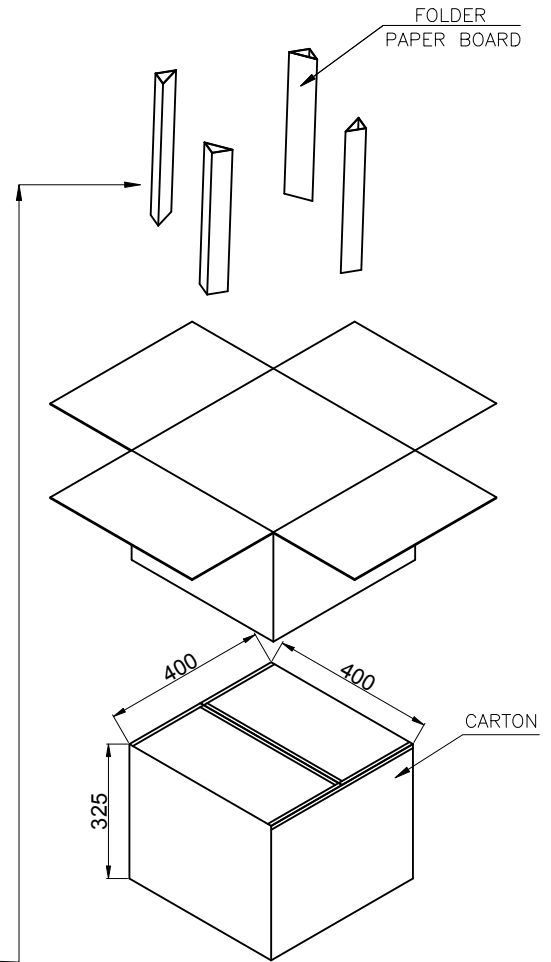
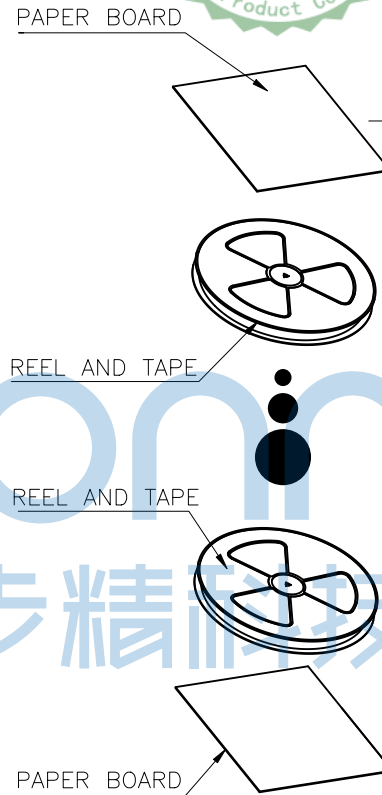
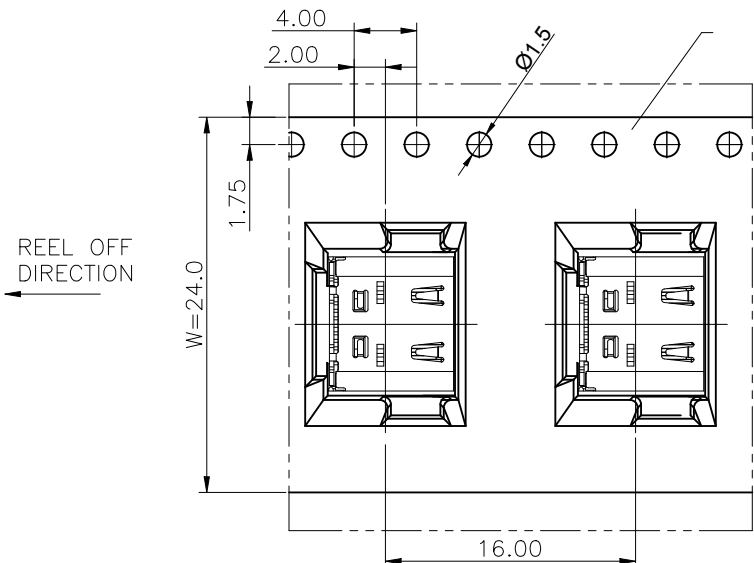
REV.	ECN NO	CONTENT	DATE	ENGINEER
A0		Initial release	/	TSP



SEE DETAIL X



材质: 透明PS



	REEL	CARTON
CONNECTOR (PCS)	1100	11000

THIS DOCUMENT IS THE SOLE PROPERTY OF BBJconn Technology Co., Ltd. Corporation AND SHOULD NOT BE USED IN WHOLE OR IN PART WITHOUT PRIOR WRITTEN PERMISSION. PDWG.NO: 0470-1

**深圳市步步精科技有限公司**

NAME: USB 4.0 TYPE-C 24P 母座 有后盖 单壳 板上四脚插 带柱 端子双排SMT 外壳脚长0.60 L=8.27 CH=1.57 编带

PJ. NO.: UC.01.52-1W-0051  
SIZE: A4 | DRW NO.:  
FINISH: SEE NOTES      MAT'L.: SEE NOTES  
SCALE: N/A      REV.: A0      UNIT: mm      PAGE: 3/3

APPD.	JM_Zheng
CHKD.	LYX
DR.	TSP