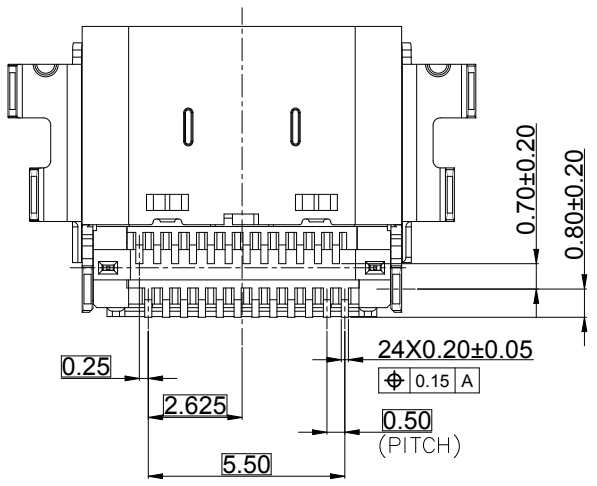
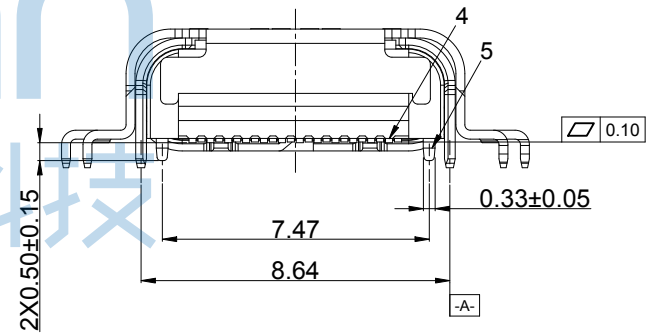
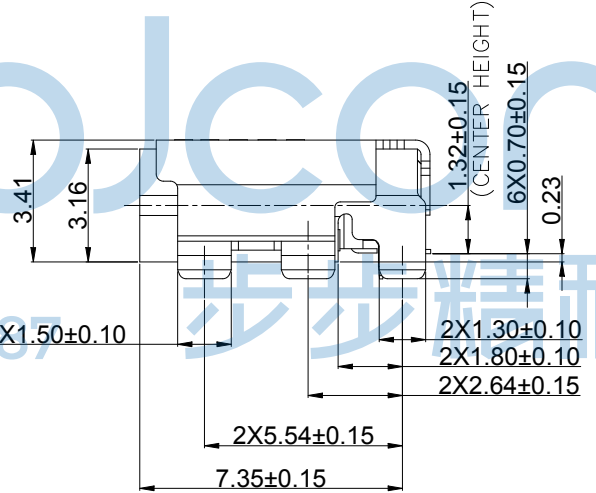
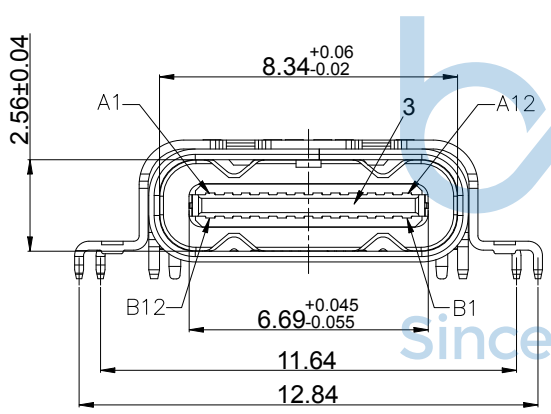
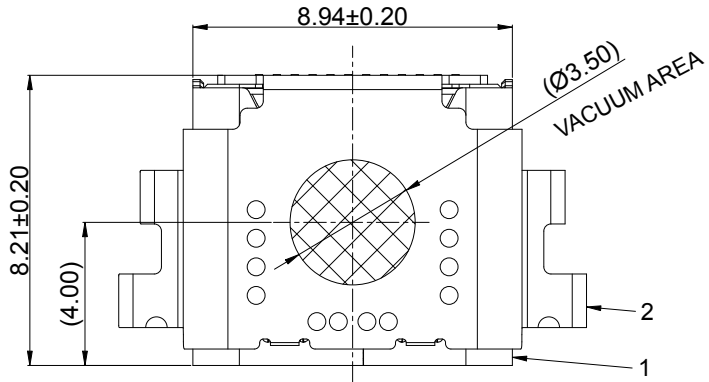


REV.	ECN NO	CONTENT	DATE	ENGINEER
A0		Initial release	/	TSP

NOTE/注释:

- SPECIFICATION/规格:
 - Rated current (额定电流): 5.0 A
 - Voltage rating (额定电压): 5V AC
 - Contact Resistance (接触阻抗): 40 m Ω Max.
 - Insulation Resistance (绝缘阻抗): 100MΩ Min.
 - Withstanding voltage (耐压): 100 VAC/minute
 - Mating force (插入力): 5~20N.
 - Unmating force (拔出力): 8~20N.
 - Durability Cycle(寿命循环): 10,000 cycle
 - Operating temperature (工作温度): -40°~+85°

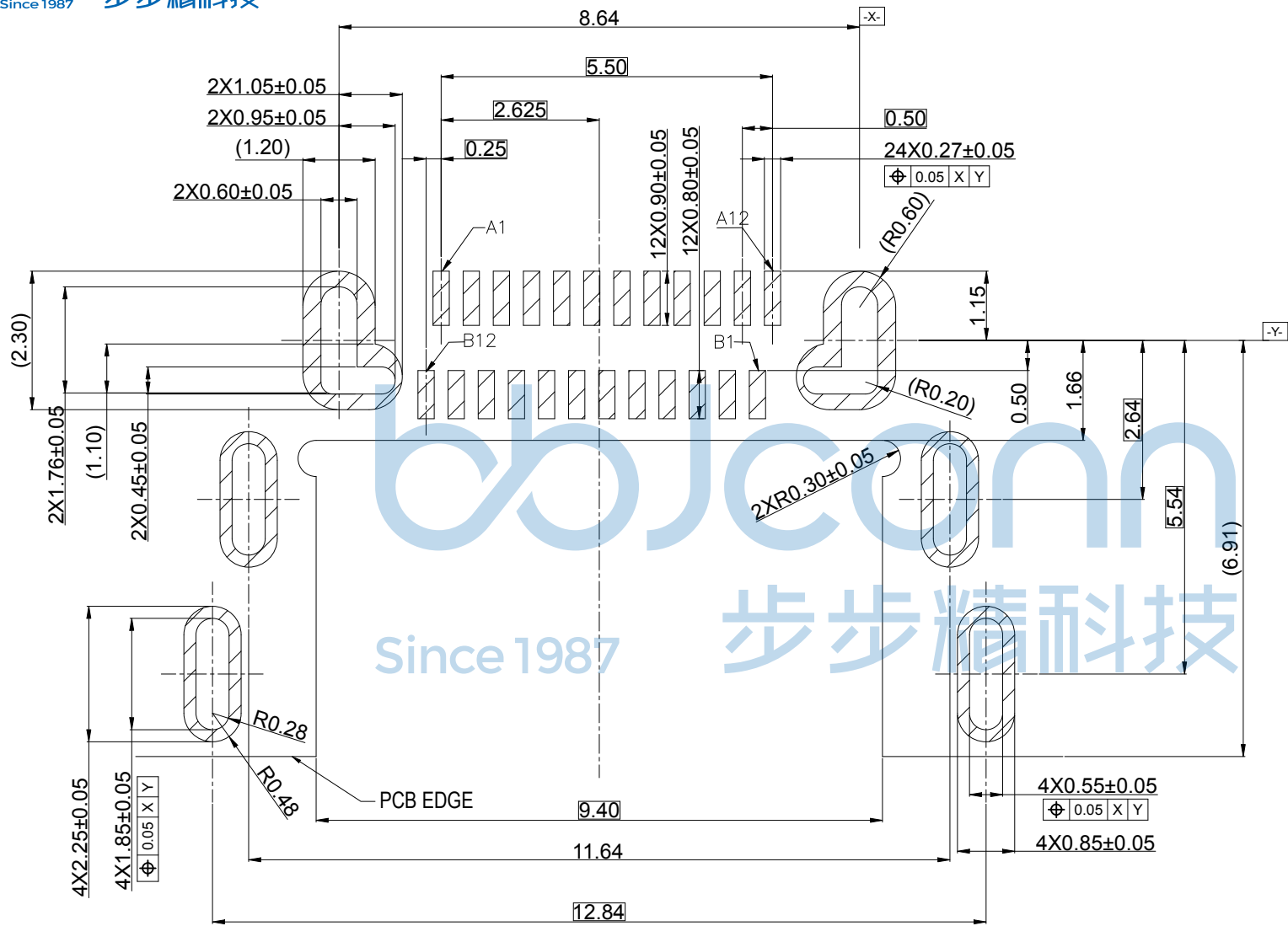


PIN ASSIGNMENT

A1	A2	A3	A4	A5	A6	A7	A8	A9	A10	A11	A12
GND	TX1+	TX1-	Vbus	CC1	D+	D-	SBU1	Vbus	RX2-	RX2+	GND
GND	RX1+	RX1-	Vbus	SBU2	D-	D+	CC2	Vbus	TX2-	TX2+	GND
B12	B11	B10	B9	B8	B7	B6	B5	B4	B3	B2	B1



THIS DOCUMENT IS THE SOLE PROPERTY OF BBJconn Technology Co., Ltd. Corporation AND SHOULD NOT BE USED IN WHOLE OR IN PART WITHOUT PRIOR WRITTEN PERMISSION.		深圳市步步精科技有限公司 .X: ±0.38 .X': ±3' .XX: ±0.25 .X'': ±2' .XXX: ±0.13 .X''': ±1'		NAME: USB 4.0 TYPE-C 24P 母座 有后盖 双壳 六脚插 端子双排SMT 沉板0.23 L=8.21 CH=1.32 编带 APPD. JM_Zheng PJ. NO.: 126-223-240009-U4G CHKD. LYX SIZE: A4 DRW NO.: FINISH: SEE NOTES MAT'L.: SEE NOTES PDWG.NO: 0470-1 DR. TSP SCALE: N/A REV.: A0 UNIT: mm PAGE: 1/3	
---	--	---	--	---	--



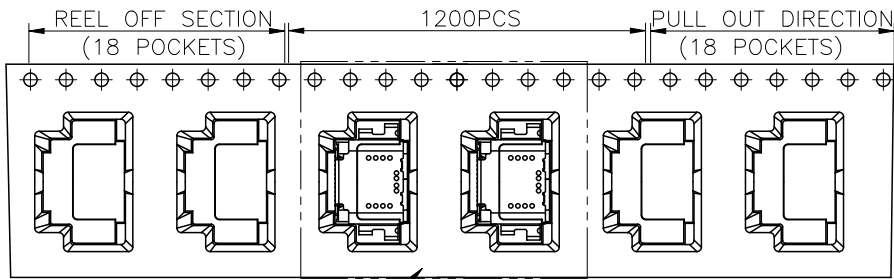
Since 1987

步步精科技

ITEM	DESCRIPTION	Q'TY	MATERIAL	FINISH	REMARK
5	MID PLATE	1	SUS301-H	30U" NICKEL PLATING	T=0.15
4	TERMINAL	24	COPPER ALLOY	MATING SIDE: Au1u"; SOLDER TAIL: Gold FLASH, 50u" NICKEL OVERALL.	T=0.12
3	MAIN HOUSING		HIGH TEMPERATURE	PA9T BLACK	UL94V-0
2	OUT SHELL	1	STAINLESS STEEL	30U" NICKEL PLATING	T=0.25
1	MAIN SHELL	1	STAINLESS STEEL	30U" NICKEL PLATING	T=0.30
BILL OF MATERIAL					

THIS DOCUMENT IS THE SOLE PROPERTY OF BBJconn Technology Co., Ltd. Corporation AND SHOULD NOT BE USED IN WHOLE OR IN PART WITHOUT PRIOR WRITTEN PERMISSION.		深圳市步步精科技有限公司	
PDWG.NO: 0470-1		APPD. JM_Zheng	NAME: USB 4.0 TYPE-C 24P 母座 有后盖 双壳 六脚插 端子双排SMT 沉板0.23 L=8.21 CH=1.32 编带
DR. TSP		CHKD. LYX	PJ. NO.: 126-223-240009-U4G
		SCALE: N/A	SIZE: A4
		REV.: A0	DRW NO.:
		UNIT: mm	MAT'L.: SEE NOTES
		PAGE: 2/3	FINISH: SEE NOTES

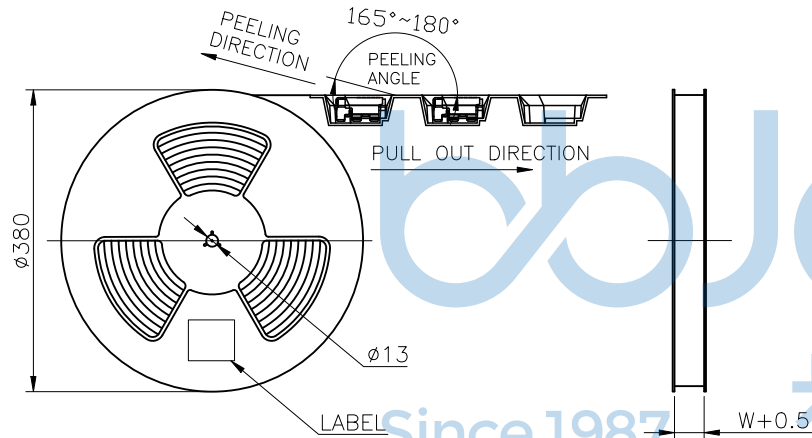
REV.	ECN NO	CONTENT	DATE	ENGINEER
A0		Initial release	/	TSP



PAPER BOARD

FOLDER PAPER BOARD

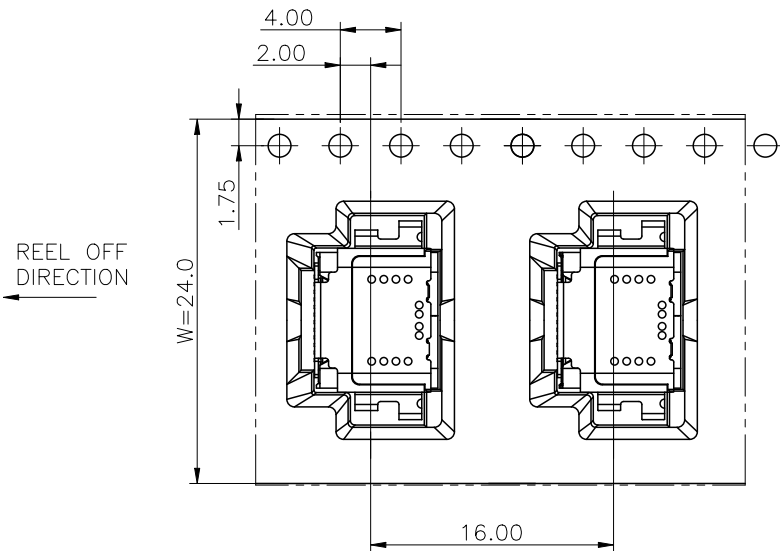
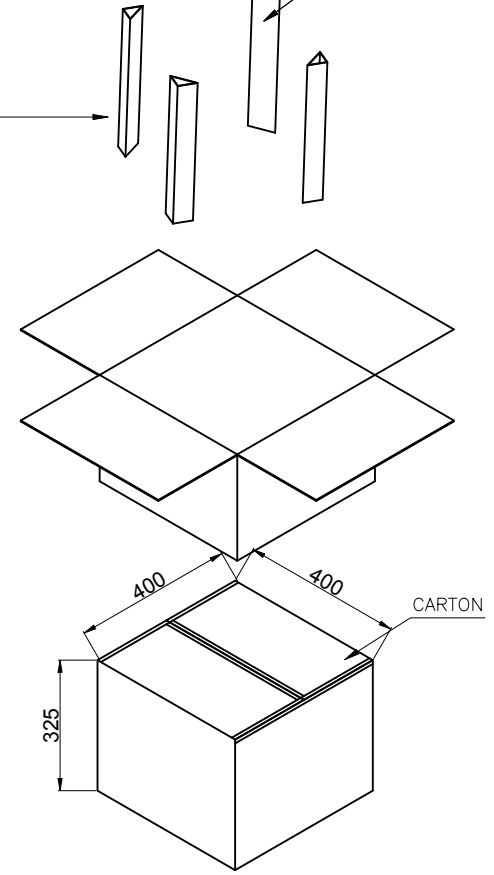
SEE DETAIL X



REEL AND TAPE

REEL AND TAPE

PAPER BOARD



	REEL	CARTON
CONNECTOR (PCS)	1200	12000

THIS DOCUMENT IS THE SOLE PROPERTY OF BBJconn Technology Co.,Ltd. Corporation AND SHOULD NOT BE USED IN WHOLE OR IN PART WITHOUT PRIOR WRITTEN PERMISSION. PDWG:NO: 0470-1

深圳市步步精科技有限公司

NAME: USB 4.0 TYPE-C 24P 母座 有后盖 双壳 六脚插 端子双排SMT 沉板0.23 L=8.21 CH=1.32 编带

APPD.	JM_Zheng	PJ. NO.: 126-223-240009-U4G SIZE: A4 DRW NO.:
CHKD.	LYX	
DR.	TSP	FINISH: SEE NOTES MAT'L.: SEE NOTES SCALE: N/A REV.: A0 UNIT: mm PAGE: 3/3

.X: ±0.38 .XX: ±0.25 .XXX: ±0.13 X': ±3" .X': ±2" .XX': ±1"