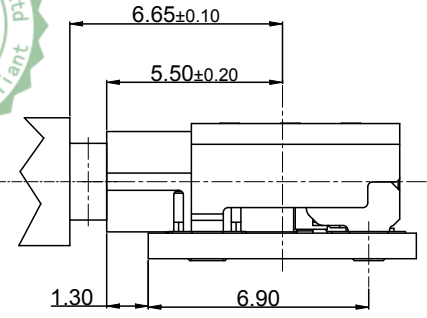
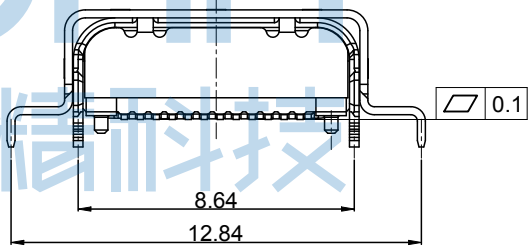
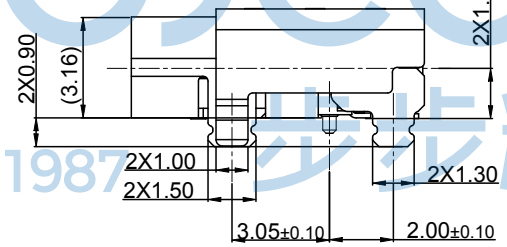
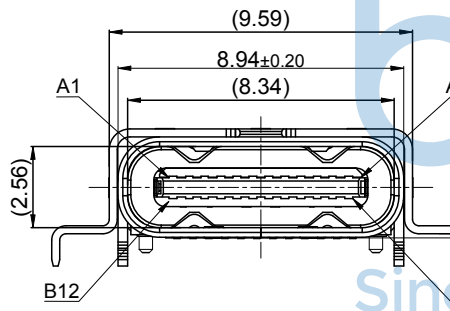
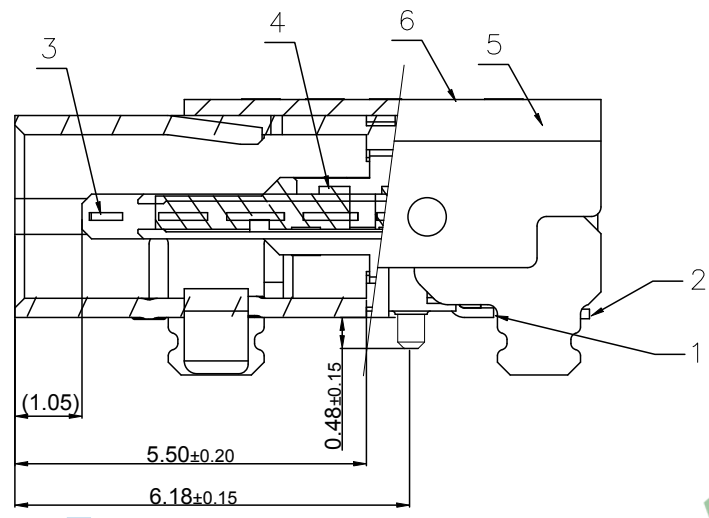
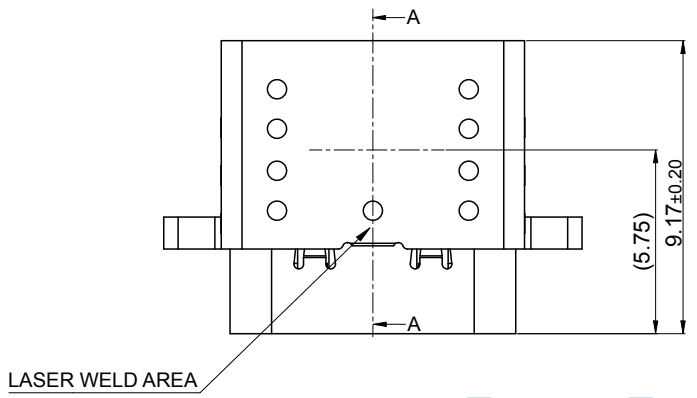


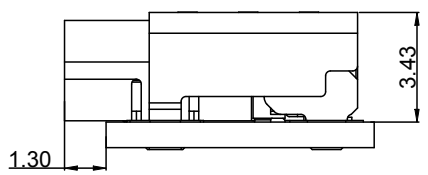
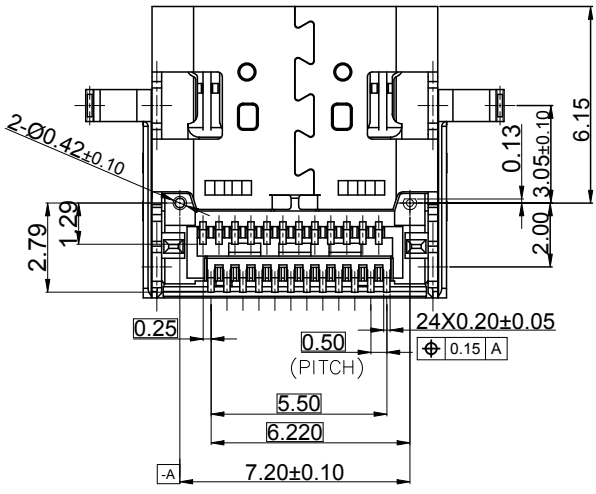
REV.	ECN NO.	CONTENT	DATE	ENGINEER
A0		Initial release	/	TSP

- NOTES/注释:
- MATERIAL/材料: SEE TABLE/见下表
 - GENERAL SPECIFICATION/通用特性:
 - 2.1 COPLANARITY/共面度: 0.10 Max.
 - 2.2 CURRENT RATING: 5A/ 额定电流: 5安培
 - 2.3 CONTACT RESISTANCE: 40mΩ MAX (INITIAL).
INSULATION RESISTANCE: 100MΩ Min
接触电阻: 40毫欧最大(初始值) / 绝缘电阻: 100MΩ Min
 - 2.4 DIELECTRIC WITHSTANDING VOLTAGE: 100 VAC
耐压: 100伏交流
 - 2.5 MECHANICAL CHARACTERISTICS:
INSERTION FORCE: 5~20N EXTRACTION FORCE: 8~20N
AFTER DURABILITY EXTRACTION FORCE: 6~20N
力学特性: 初始插入力: 5~20N 拔出力: 8~20N
耐久后拔出力: 6~20N



Pin定义:

A1	A2	A3	A4	A5	A6	A7	A8	A9	A10	A11	A12
GND	TX1+	TX1-	Vbus	CC1	D+	D-	SBU1	Vbus	RX2-	RX2+	GND
GND	RX1+	RX1-	Vbus	SBU2	D-	D+	CC2	Vbus	TX2-	TX2+	GND
B12	B11	B10	B9	B8	B7	B6	B5	B4	B3	B2	B1



THIS DOCUMENT IS THE SOLE PROPERTY OF **深圳市步步精科技有限公司** BBJconn Technology Co.,Ltd. Corporation AND SHOULD NOT BE USED IN WHOLE OR IN PART WITHOUT PRIOR WRITTEN PERMISSION.

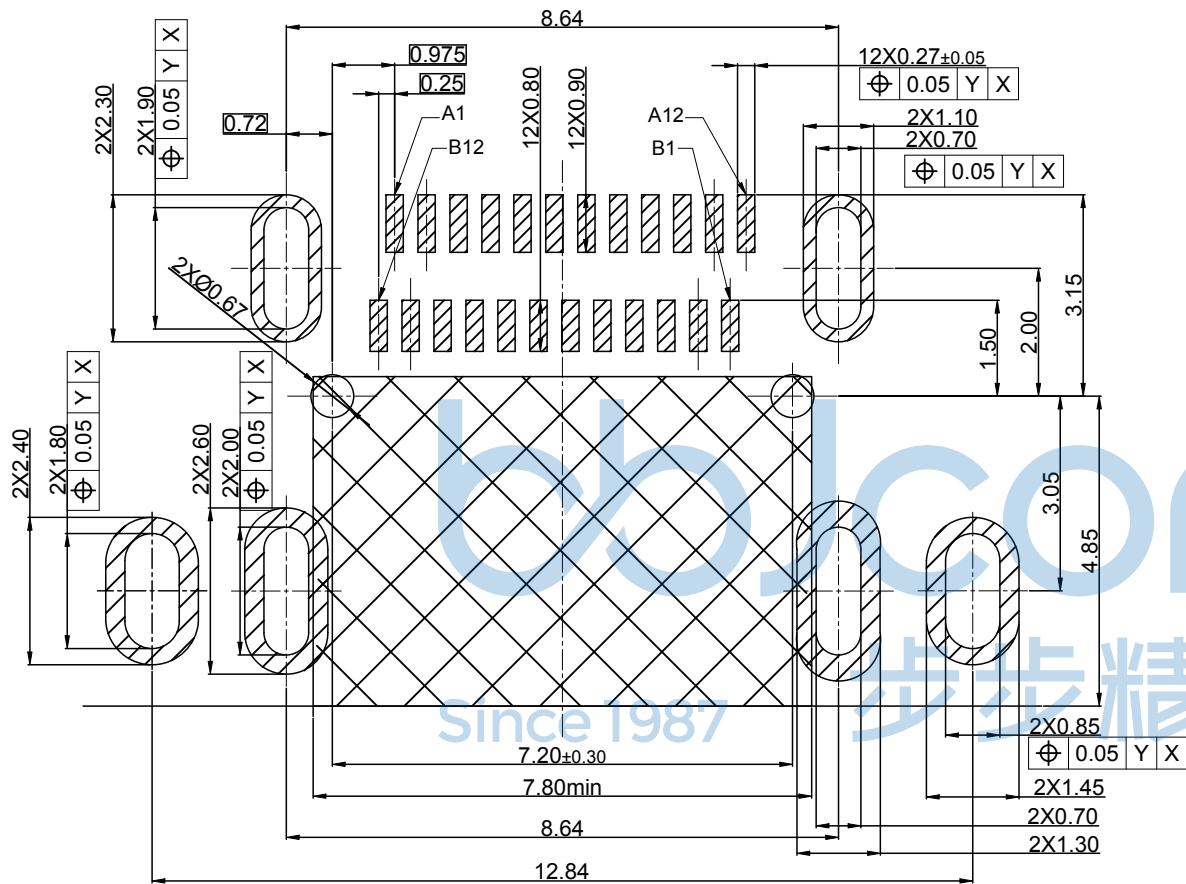
PDWG.NO: 0470-1

NAME: USB 4.0 TYPE-C 24P 母座 有后盖 双壳 六脚插 带柱 端子双排SMT 外壳脚长0.90 沉板0.13 L=9.17 CH=1.57 编带

APPD. JM_Zheng
CHKD. LYX
DR. TSP

PJ. NO.: 126-223-240008-U4G
SIZE: A4 DRW NO.:
FINISH: SEE NOTES MAT'L.: SEE NOTES
SCALE: N/A REV.: A0 UNIT: mm PAGE: 1/3

REV.	ECN NO	CONTENT	DATE	ENGINEER
A0		Initial release	/	TSP



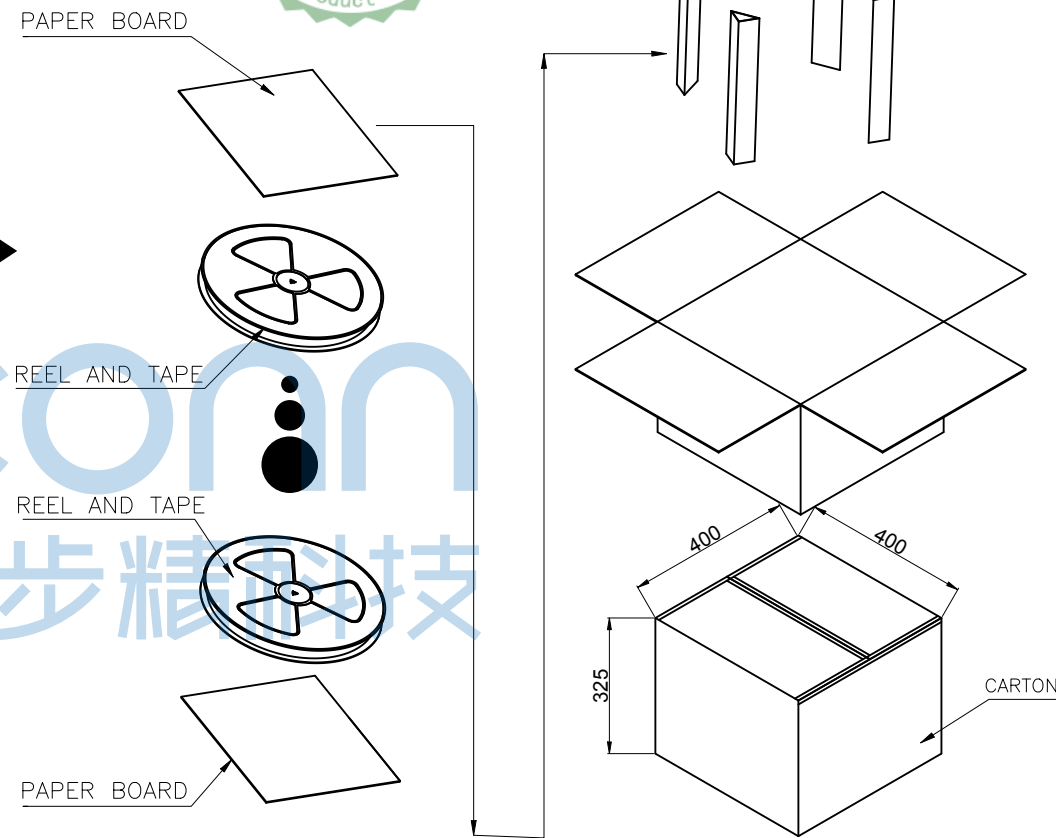
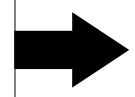
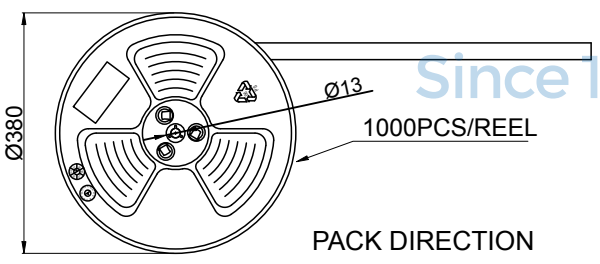
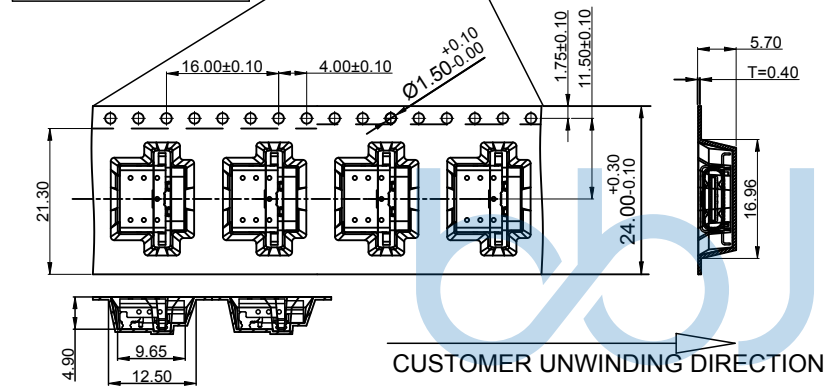
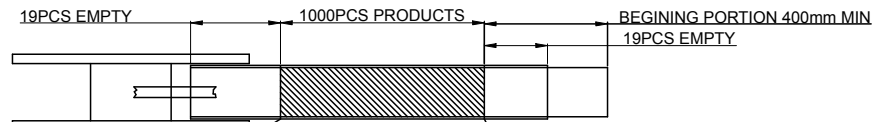
Recommended PCB Layout(Top View)/ 推荐的PCB布局(前视图)
General Tolerances:±0.05/ 一般公差:±0.05

ITEM	DESCRIPTION	QTY	MATERIAL	FINISH	REMARK
6	OUT SHELL	1	SUS304	30U" NICKEL PLATING	0.25mm
5	INT SHELL	1	SUS304	30U" NICKEL PLATING	0.3mm
4	MAIN HOUSING	1	HIGH TEMPERATURE	PA9T BLACK	UL94V-0
3	MID PLATE	1	SUS301	RINSE	0.15mm
2	BOTTOM TERMINAL	1	COPPER ALLOY	MATING SIDE: Au1u"; SOLDER TAIL: GOLD FLASH, 30u" NICKEL OVERALL.	0.12mm
1	TOP TERMINAL	1	COPPER ALLOY		0.12mm

THIS DOCUMENT IS THE SOLE PROPERTY OF BBJconn Technology Co.,Ltd. Corporation AND SHOULD NOT BE USED IN WHOLE OR IN PART WITHOUT PRIOR WRITTEN PERMISSION.		深圳市步步精科技有限公司 .X: ±0.38 .X': ±3" .XX: ±0.25 .X": ±2" .XXX: ±0.13 .XX': ±1"		NAME: USB 4.0 TYPE-C 24P 母座 有后盖 双壳 六脚插 带柱 端子双排SMT 外壳脚长0.90 沉板0.13 L=9.17 CH=1.57 编带	
APPD.	JM_Zheng	PJ. NO.: 126-223-240008-U4G		SIZE: A4 DRW NO.:	
CHKD.	LYX	FINISH: SEE NOTES		MAT'L.: SEE NOTES	
PDWG.NO:	0470-1	DR.	TSP	SCALE: N/A	REV.: A0 UNIT: mm PAGE: 2/3



REV.	ECN NO	CONTENT	DATE	ENGINEER
A0		Initial release	/	TSP



PACKING: 1. 1000 PCS/REEL.
2. 10 REEL/Carton



THIS DOCUMENT IS THE SOLE PROPERTY OF BBJconn Technology Co.,Ltd. Corporation AND SHOULD NOT BE USED IN WHOLE OR IN PART WITHOUT PRIOR WRITTEN PERMISSION.		深圳市步步精科技有限公司 .X: ±0.38 .X': ±3" .XX: ±0.25 .X'': ±2" .XXX: ±0.13 .XX': ±1"		NAME: USB 4.0 TYPE-C 24P 母座 有后盖 双壳 六脚插 带柱 端子双排SMT 外壳脚长0.90 沉板0.13 L=9.17 CH=1.57 编带	
APPD.	JM_Zheng	PJ. NO.: 126-223-240008-U4G		SIZE: A4 DRW NO.:	
CHKD.	LYX	FINISH: SEE NOTES		MAT'L.: SEE NOTES	
PDWG.NO:	0470-1	DR.	TSP	SCALE: N/A	REV.: A0 UNIT: mm PAGE: 3/3